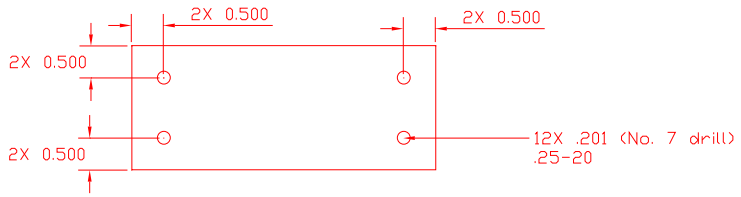
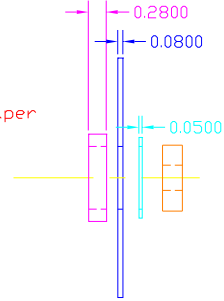
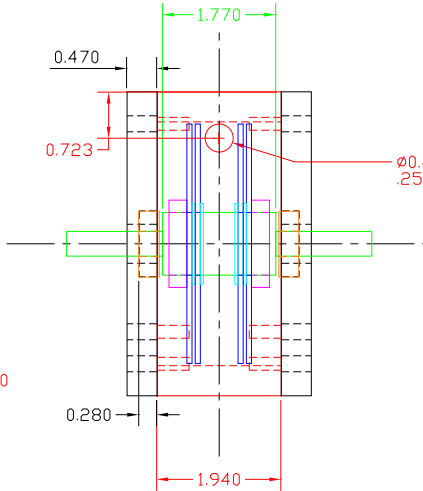
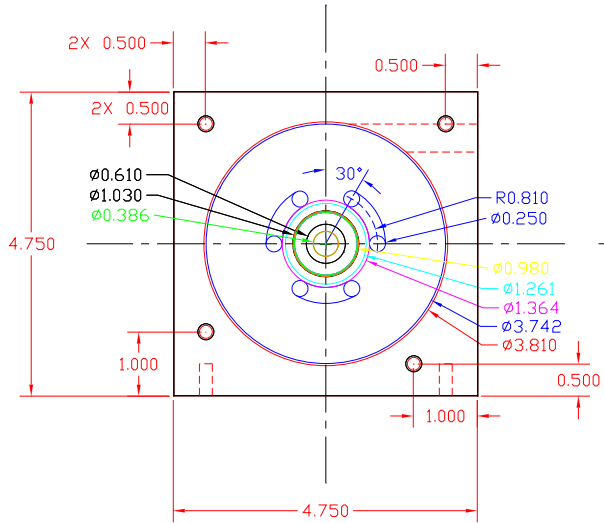


REV	DESCRIPTION	DATE
01	INITIAL DESIGN	12.NOV.2005



- Part Layers:
- Bearings
 - Chamber
 - Collars
 - Discs
 - HD Spacers
 - Shaft
 - Side Panel - Left
 - Side Panel - Right

Tesla Turbine design by:
 Steven B. Troy
students.washington.edu/sbtroy
sbtroy@phys.washington.edu

Please feel free to use or modify this design. But if you do something cool, I'd like to hear about it.

TESLA TURBINE BUILT FROM
 HARD DRIVE PLATTERS