

# 3D PRINTABLE MODEL

## FDM process optimized:

- no print support needed
- small printers: 15x15 cm bed sizes are OK
- optimal for 0.4 mm nozzles
- recommended printing speed: 50 mm/s
- print layer height: 0.2mm (best detail: 0.15mm)

## Assembly optimized:

- no metal parts or additional components needed
- just glue, nail file and 1.75mm filament are used during assembly

## Compatibility:

- this model is a part of "Euroreprap Railroad Collection" which is a system consisting of trains, tracks and other railway objects.
- it also fits together with regular LEGO tracks (using free inter-connector)

EUROREPRAP  
RAILROAD  
COLLECTION



## Availability:

- [www.ponoko.com/showroom/EUROREPRAP-EU](http://www.ponoko.com/showroom/EUROREPRAP-EU)
- for other than PayPal payment forms and discounts please first contact us by email: [contact@euroreprap.eu](mailto:contact@euroreprap.eu)

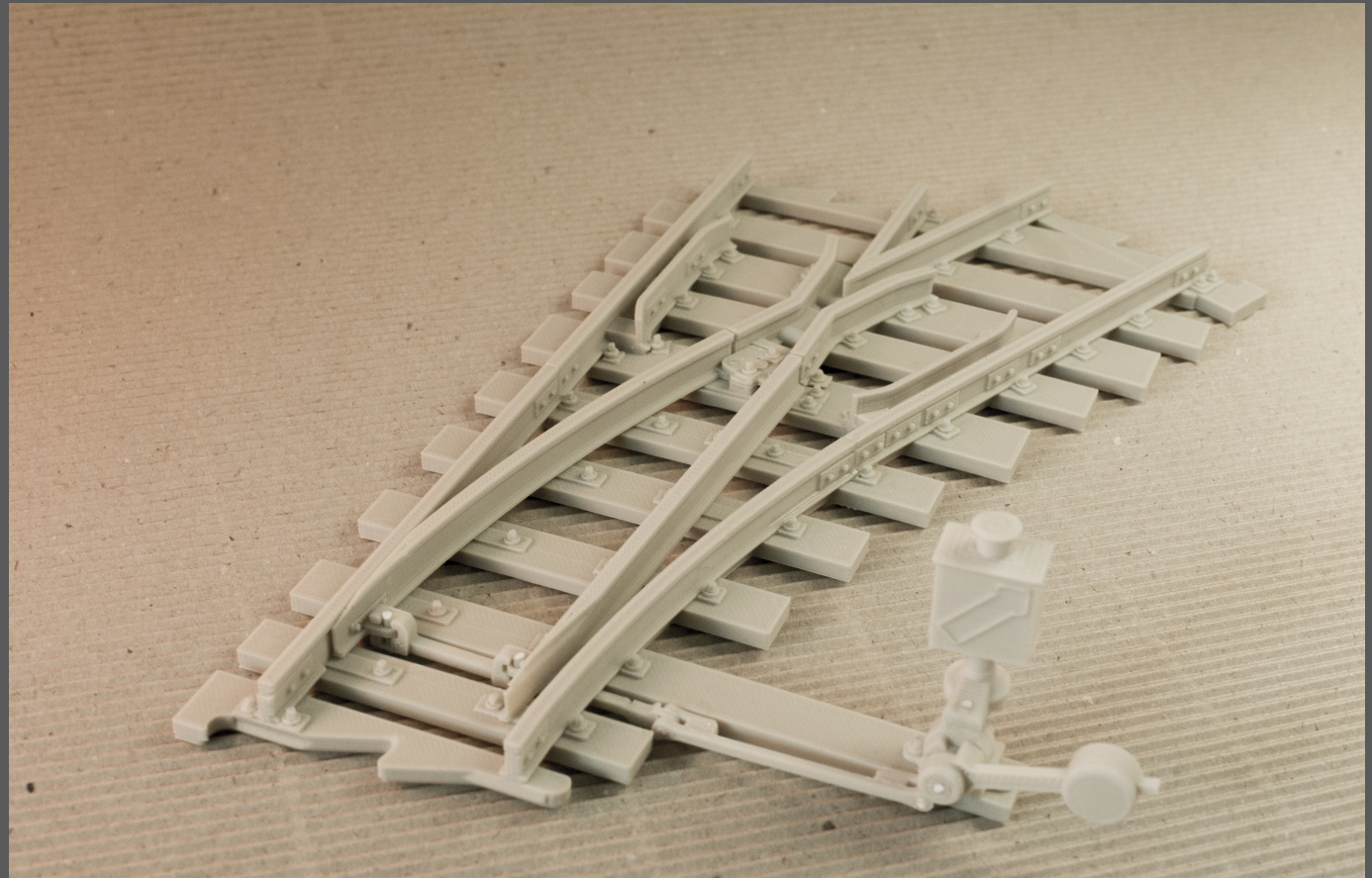
# TURNOUT

## TYPES: 6L, 6R, 7L, 7R

06.2015

EUROREPRAP.EU

# ASSEMBLY



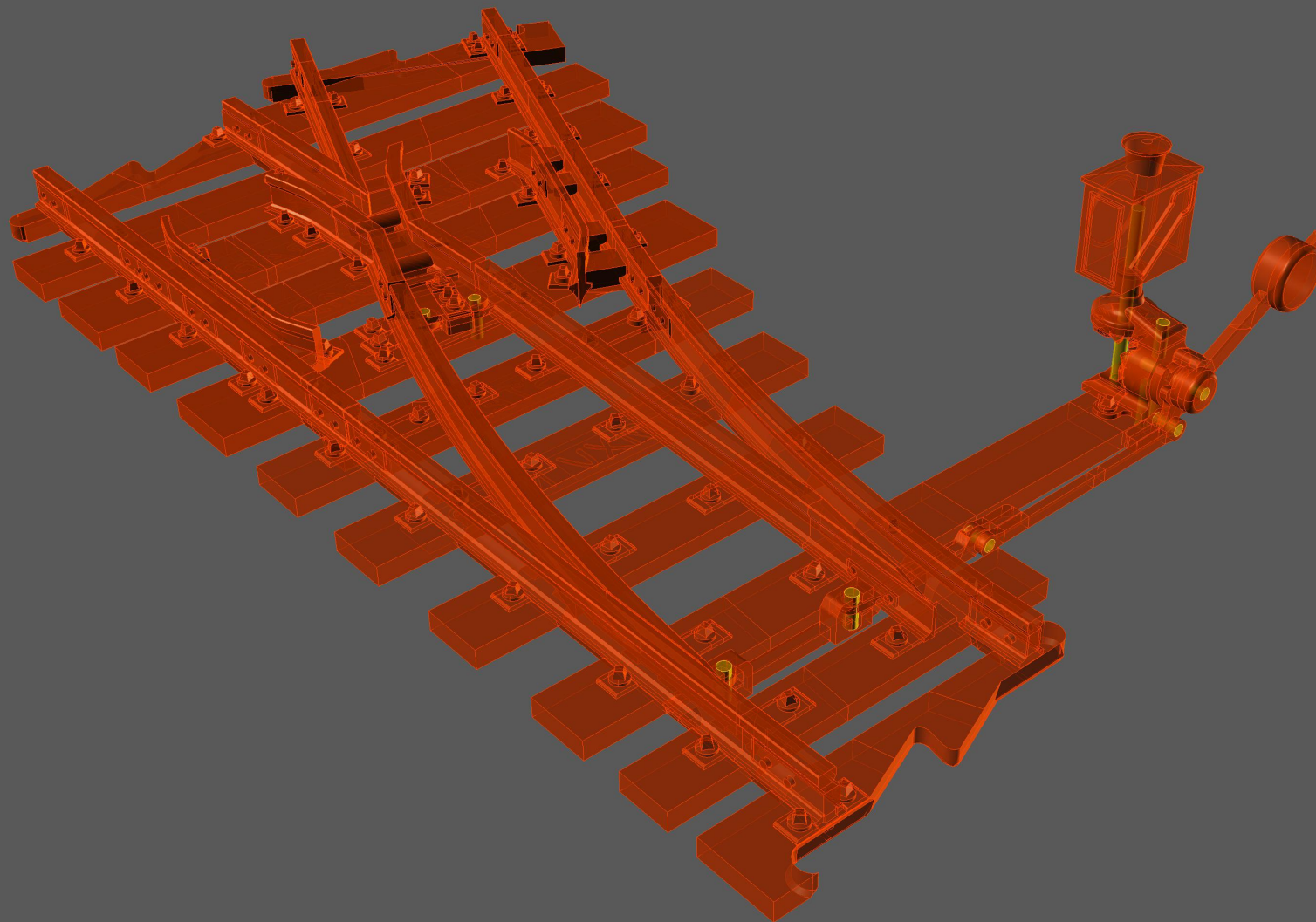
## E-mail and website

[contact@euroreprap.eu](mailto:contact@euroreprap.eu)  
[www.euroreprap.eu](http://www.euroreprap.eu)

3D PRINTABLE  
MODEL

TURNOUT  
TYPES: 6L, 6R, 7L, 7R  
06.2015

EUROREPRAP.EU



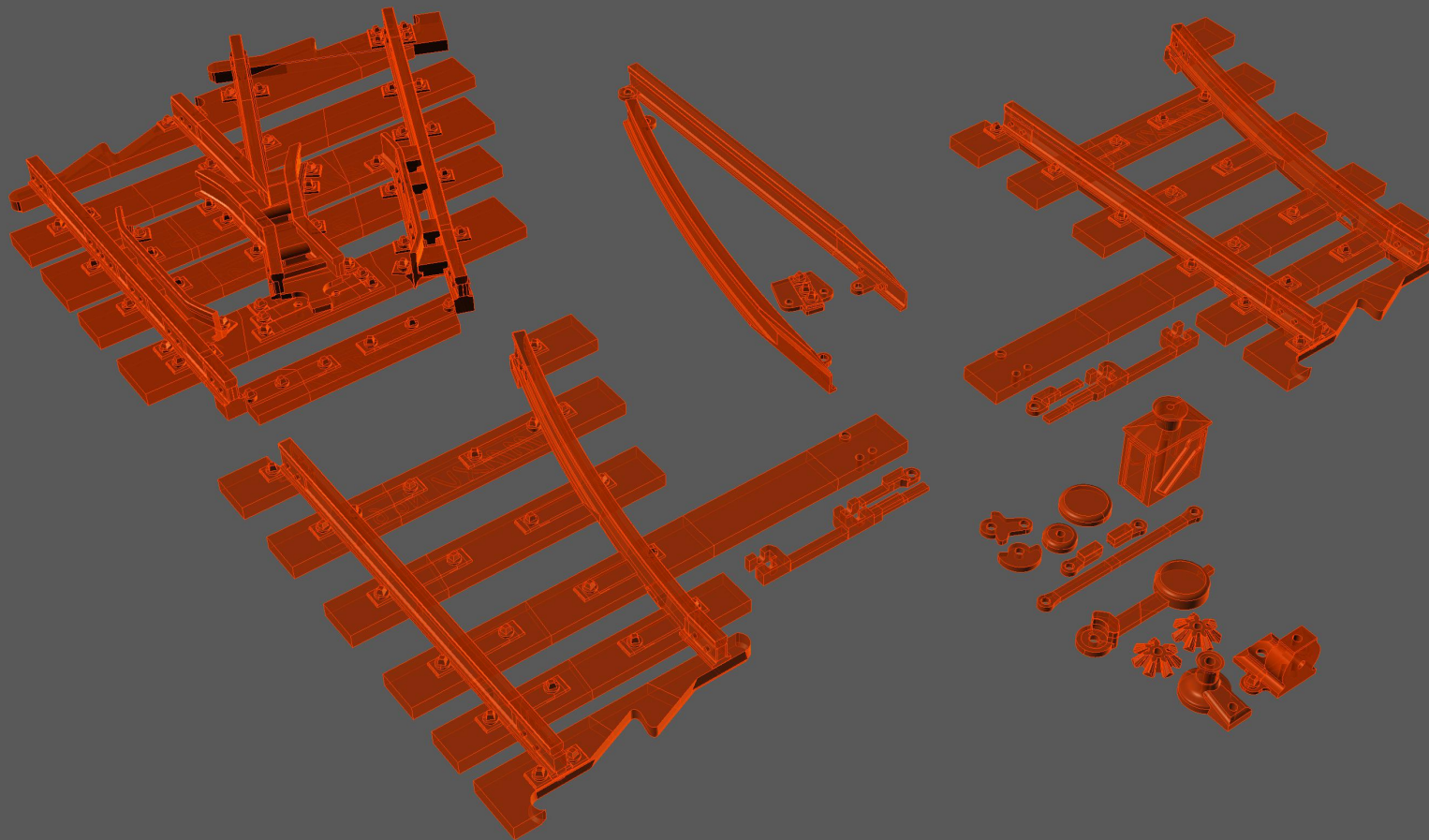
3D PRINTABLE  
MODEL

TURNOUT

TYPES: 6L, 6R, 7L, 7R

06.2015

EUROREPRAP.EU



---

3D PRINTABLE  
MODEL

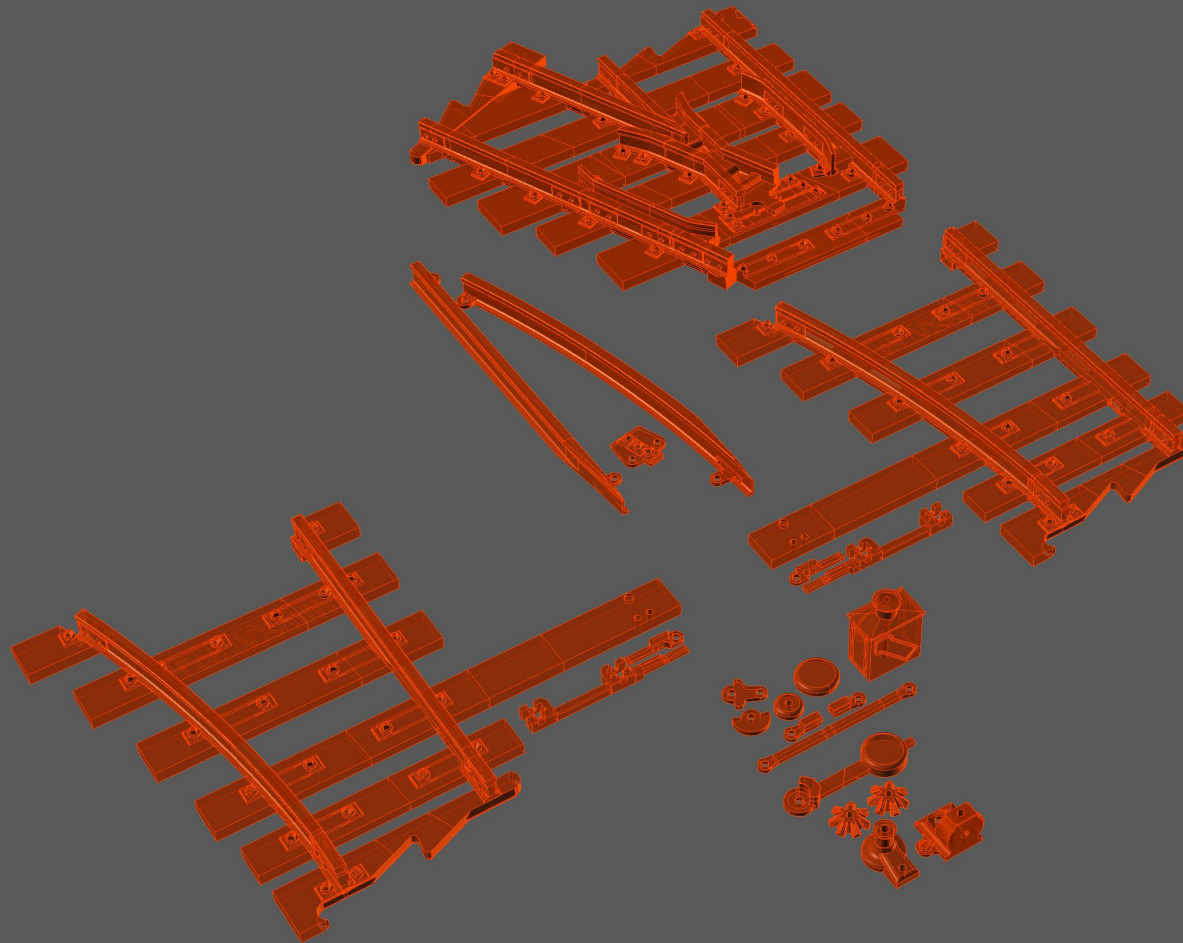
---

TURNOUT

TYPES: 6L, 6R, 7L, 7R

06.2015

EUROREPRAP.EU



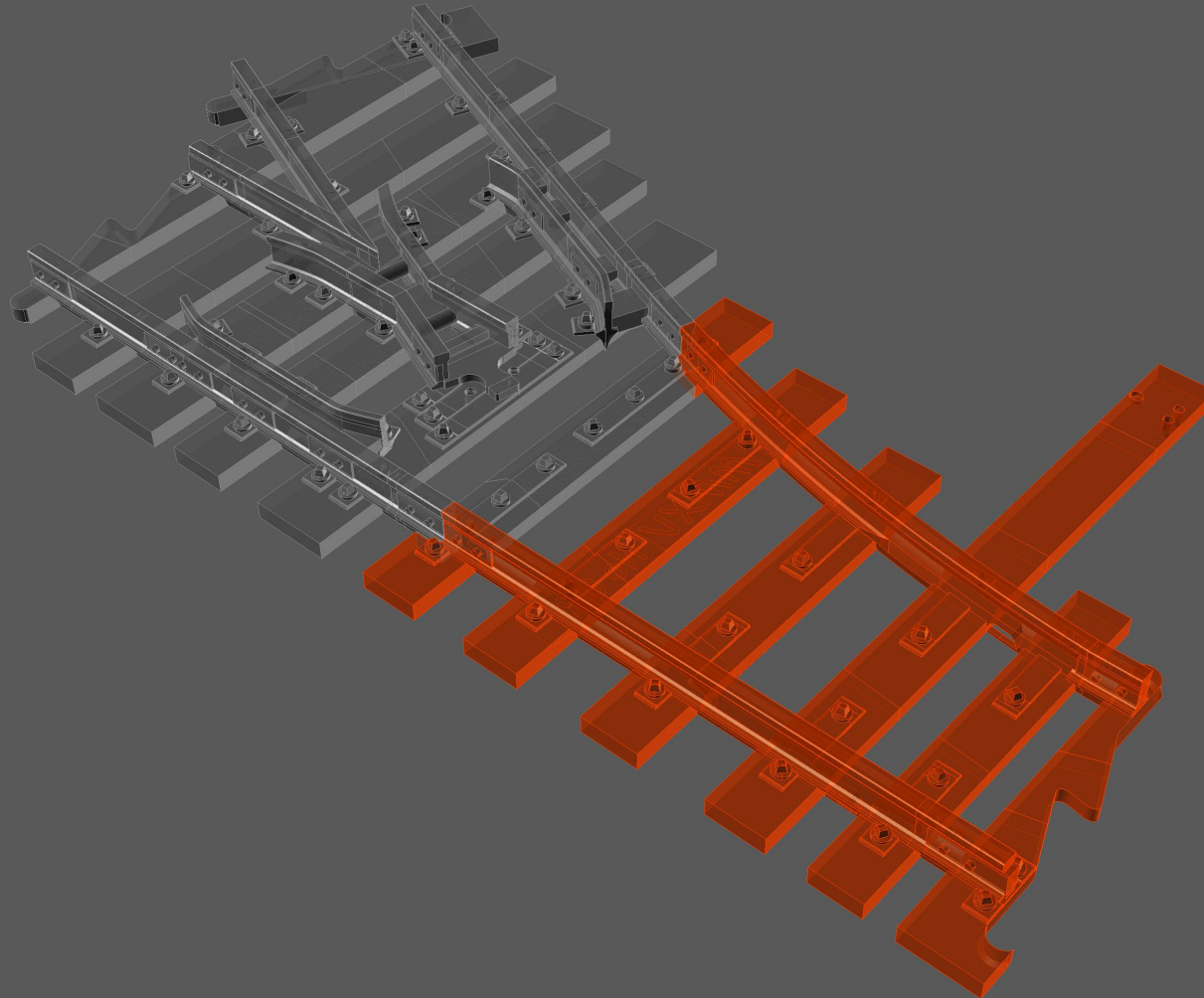
3D PRINTABLE  
MODEL

TURNOUT

TYPES: 6L, 6R, 7L, 7R

06.2015

EUROREPRAP.EU



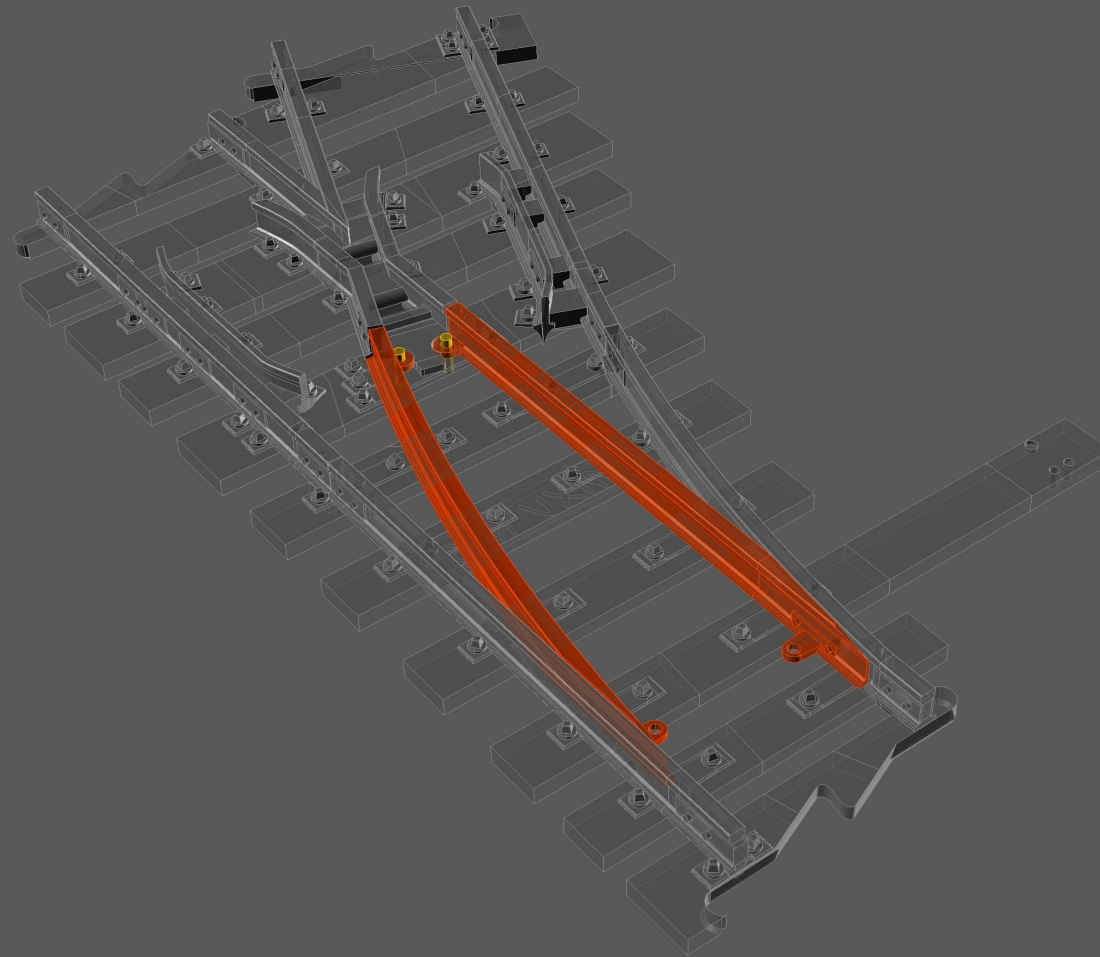
3D PRINTABLE  
MODEL

TURNOUT

TYPES: 6L, 6R, 7L, 7R

06.2015

EUROREPRAP.EU



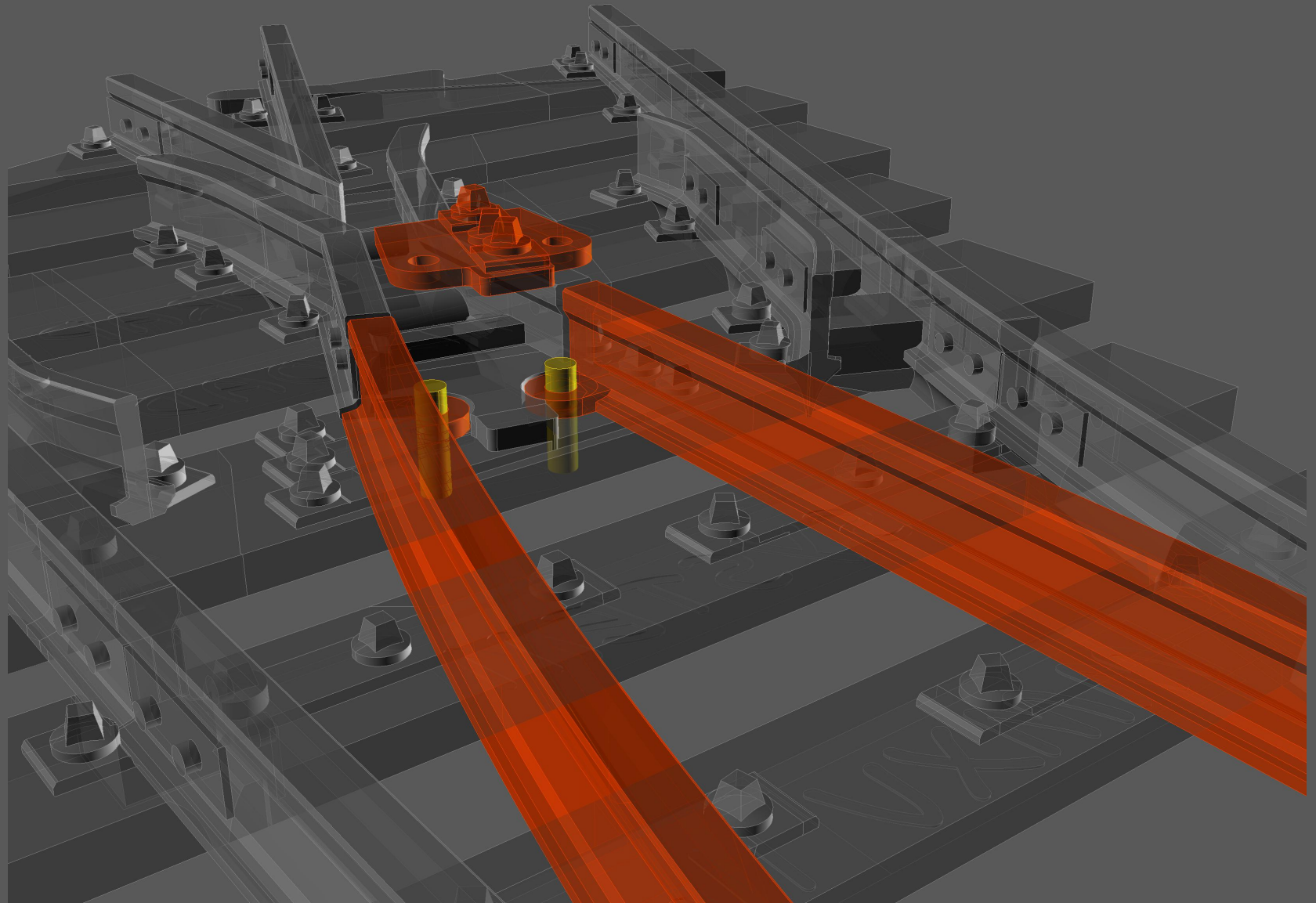
3D PRINTABLE  
MODEL

TURNOUT

TYPES: 6L, 6R, 7L, 7R

06.2015

EUROREPRAP.EU



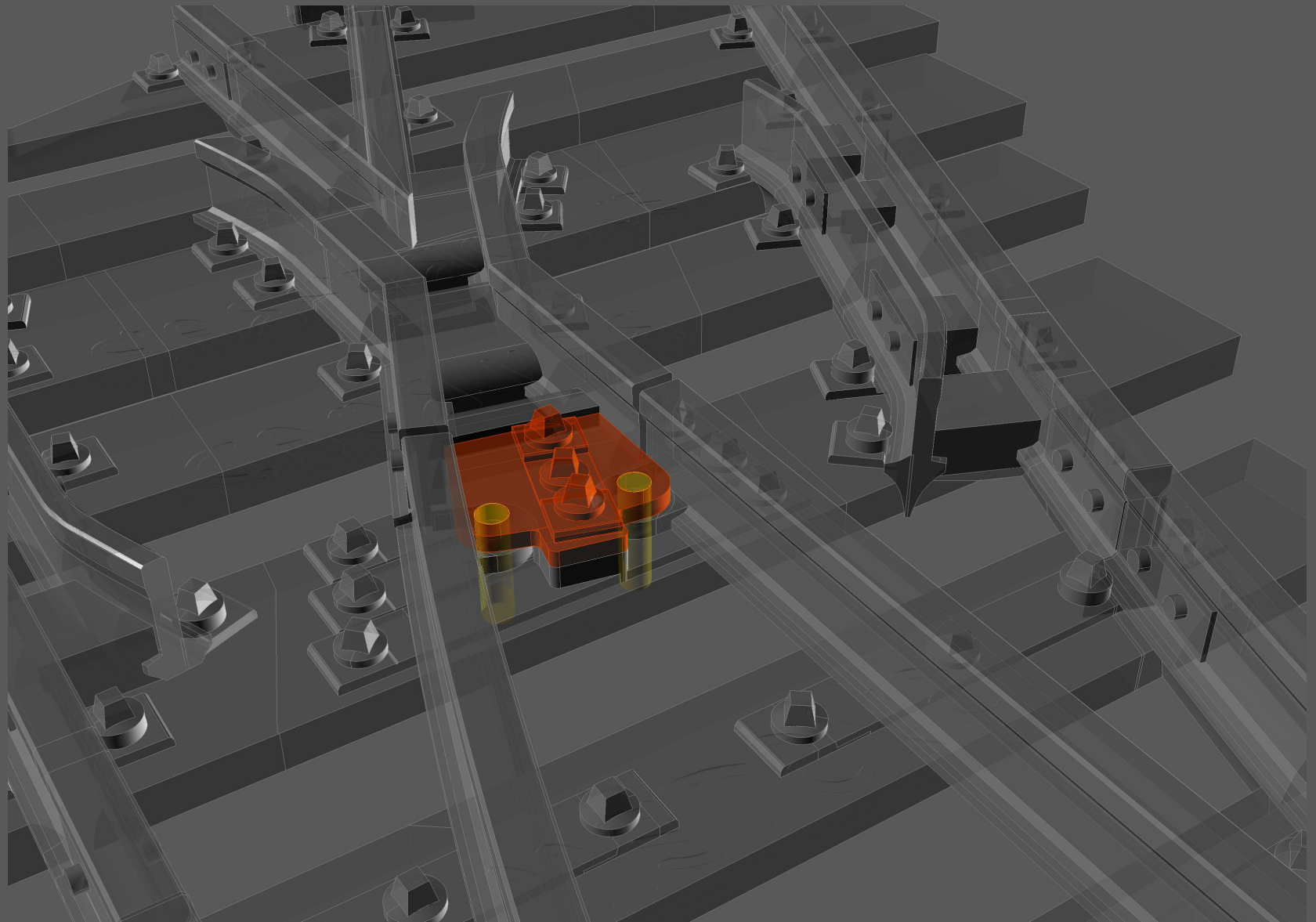
3D PRINTABLE  
MODEL

TURNOUT

TYPES: 6L, 6R, 7L, 7R

06.2015

EUROREPRAP.EU

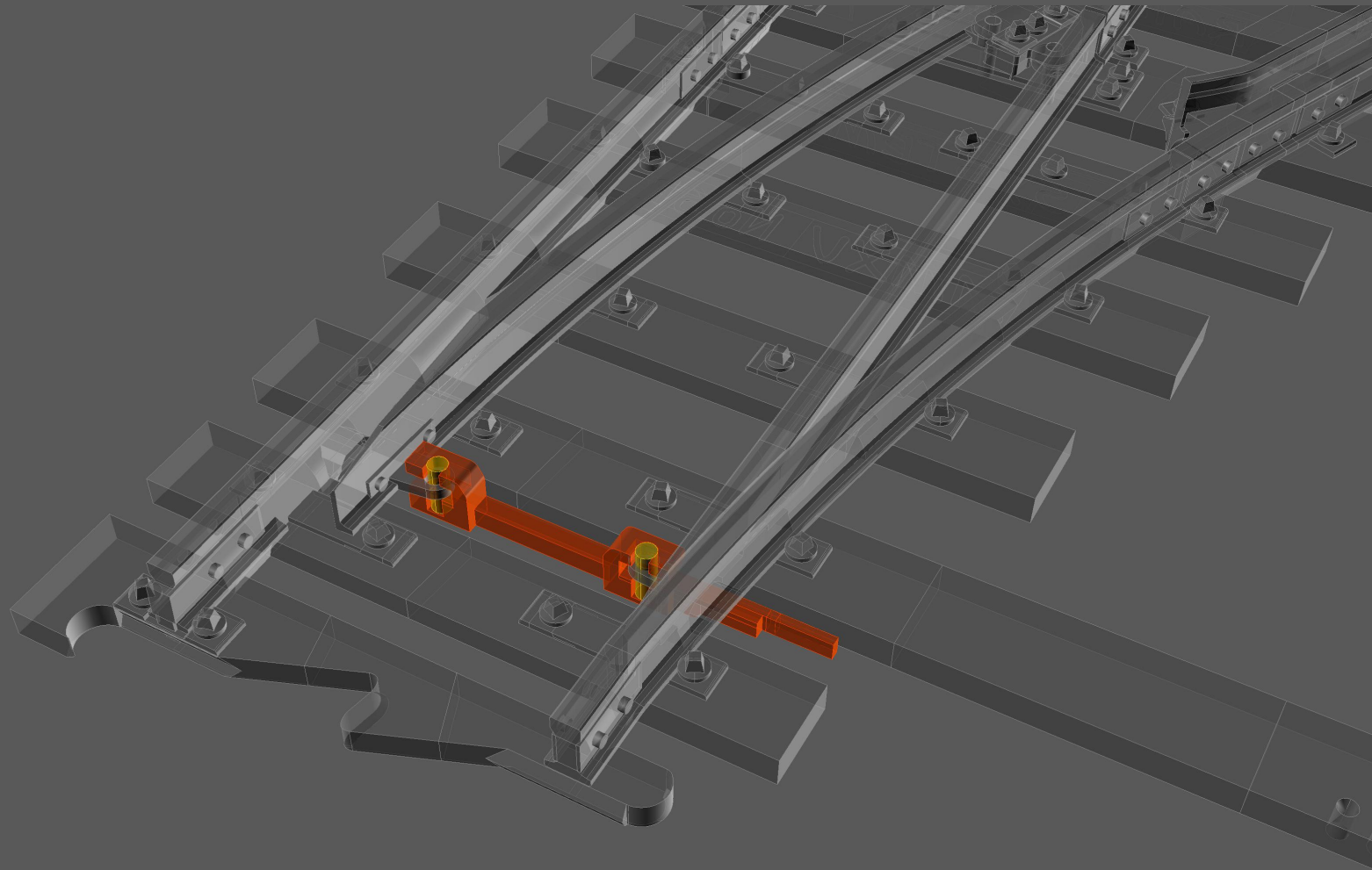




3D PRINTABLE  
MODEL

TURNOUT  
TYPES: 6L, 6R, 7L, 7R  
06.2015

EUROREPRAP.EU



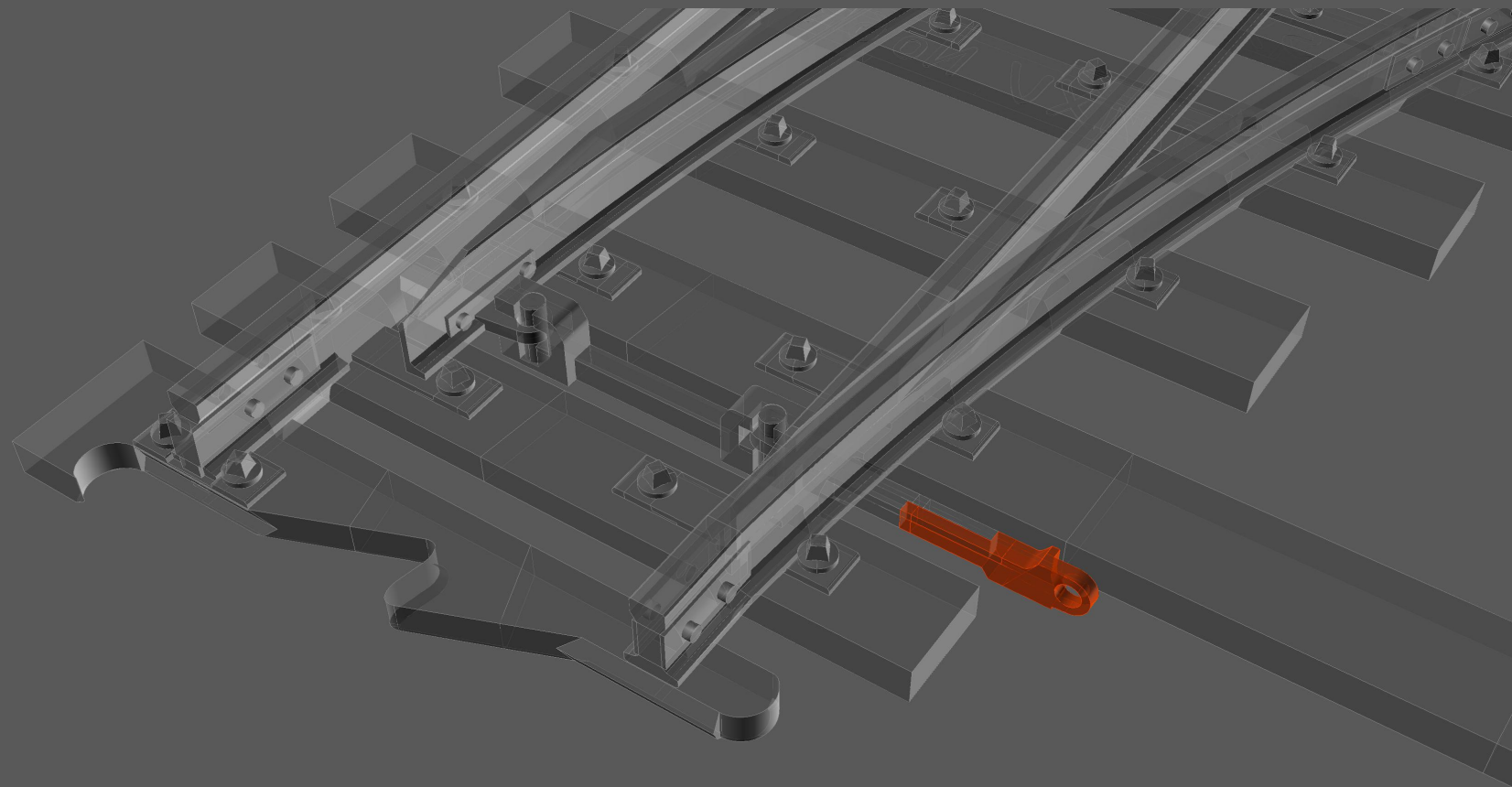
3D PRINTABLE  
MODEL

TURNOUT

TYPES: 6L, 6R, 7L, 7R

06.2015

EUROREPRAP.EU



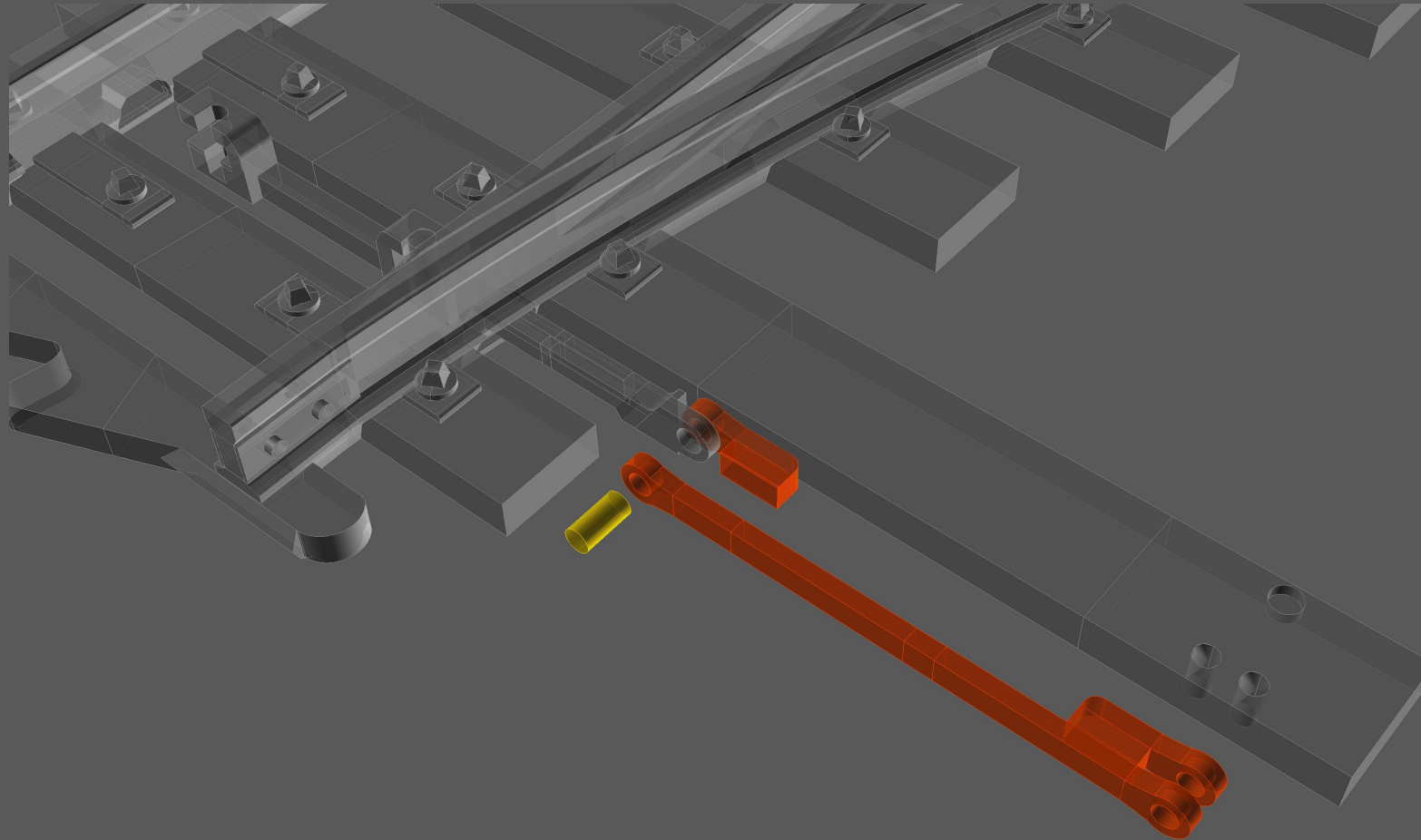
3D PRINTABLE  
MODEL

TURNOUT

TYPES: 6L, 6R, 7L, 7R

06.2015

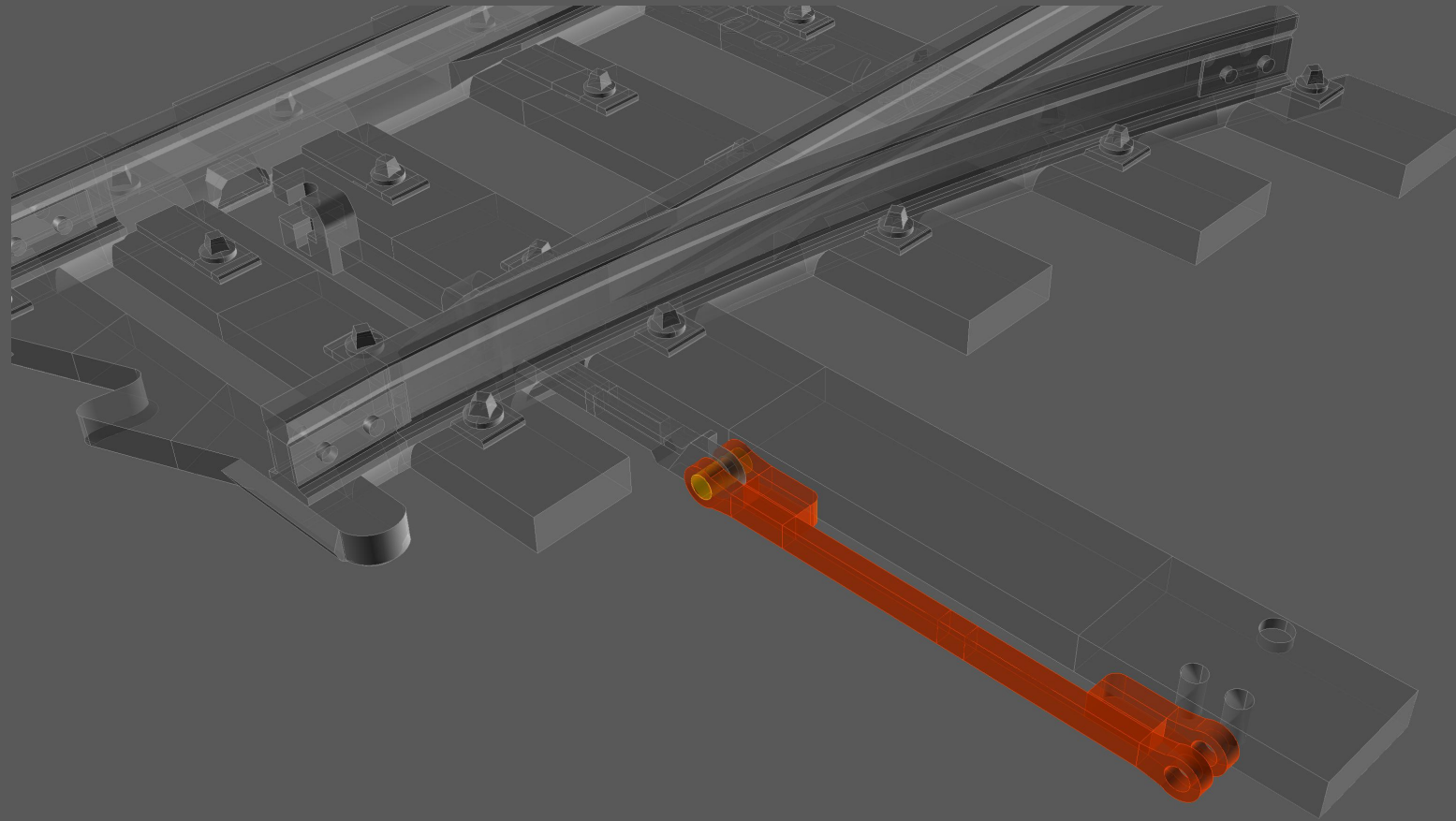
EUROREPRAP.EU



3D PRINTABLE  
MODEL

TURNOUT  
TYPES: 6L, 6R, 7L, 7R  
06.2015

EUROREPRAP.EU



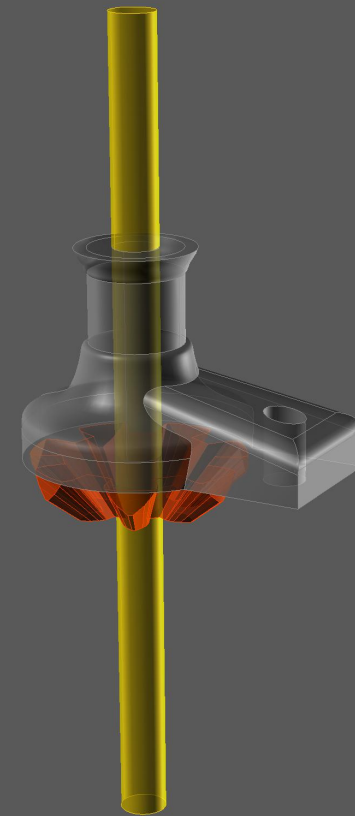
3D PRINTABLE  
MODEL

TURNOUT

TYPES: 6L, 6R, 7L, 7R

06.2015

EUROREPRAP.EU



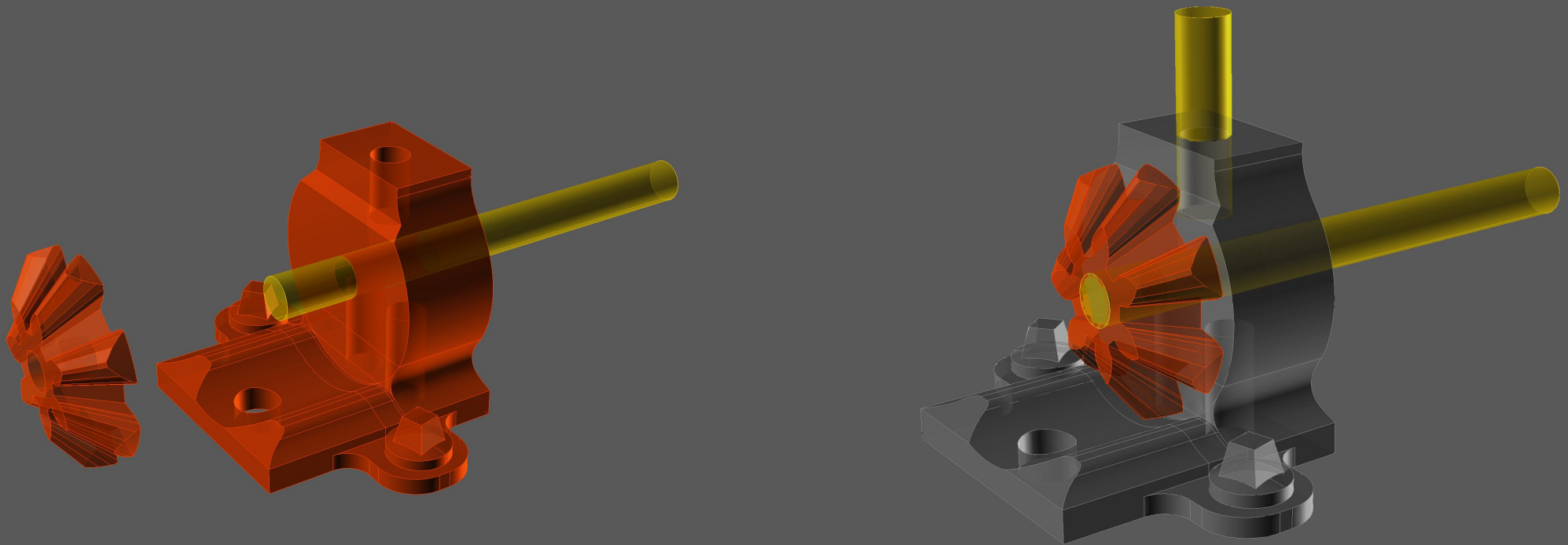
3D PRINTABLE  
MODEL

TURNOUT

TYPES: 6L, 6R, 7L, 7R

06.2015

EUROREPRAP.EU



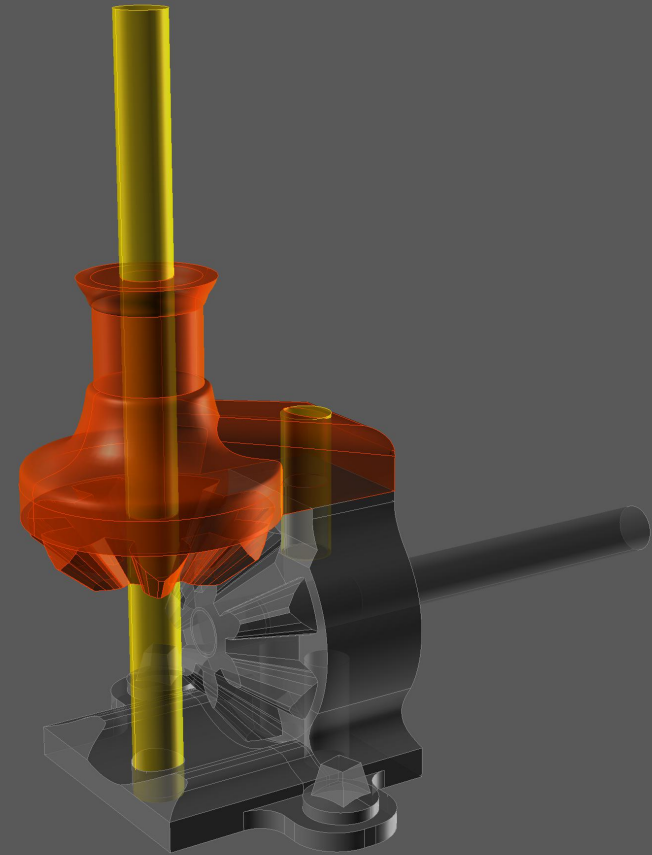
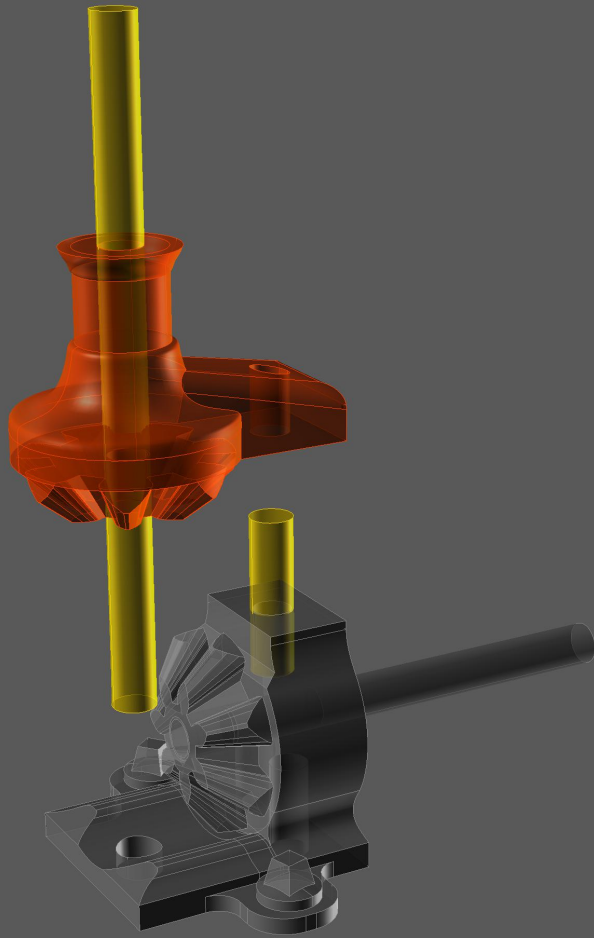
3D PRINTABLE  
MODEL

TURNOUT

TYPES: 6L, 6R, 7L, 7R

06.2015

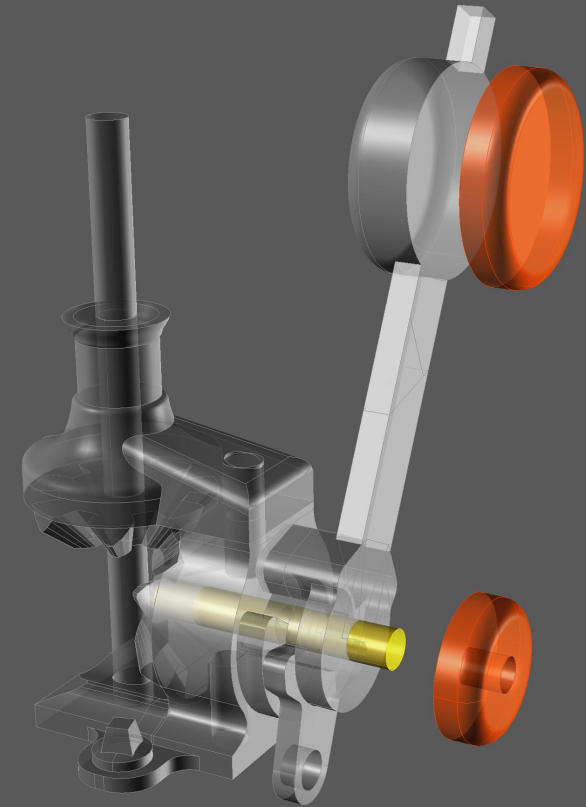
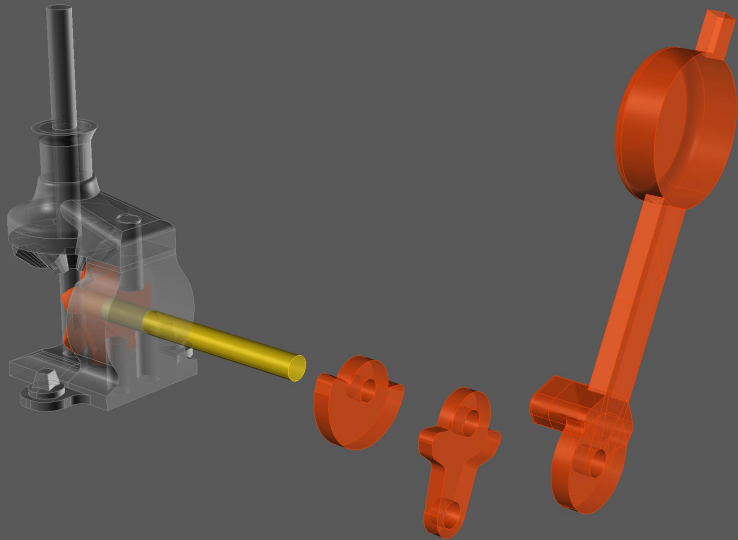
EUROREPRAP.EU



3D PRINTABLE  
MODEL

TURNOUT  
TYPES: 6L, 6R, 7L, 7R  
06.2015

EUROREPRAP.EU





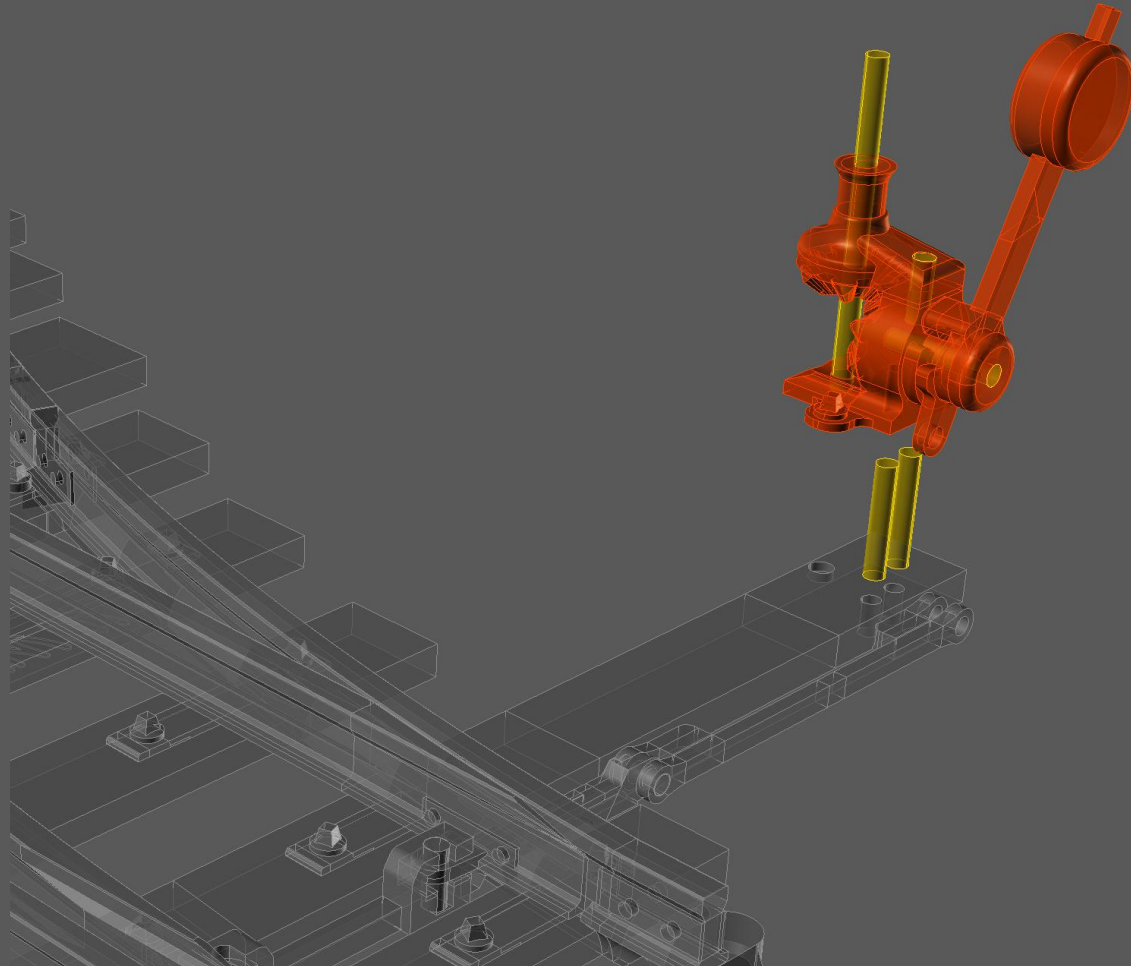
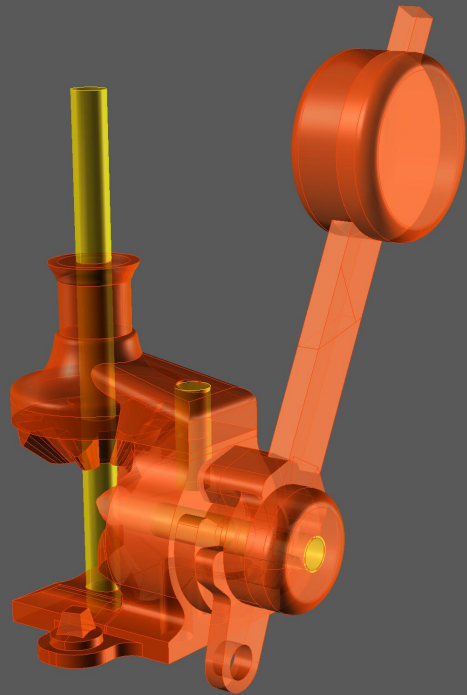
3D PRINTABLE  
MODEL

TURNOUT

TYPES: 6L, 6R, 7L, 7R

06.2015

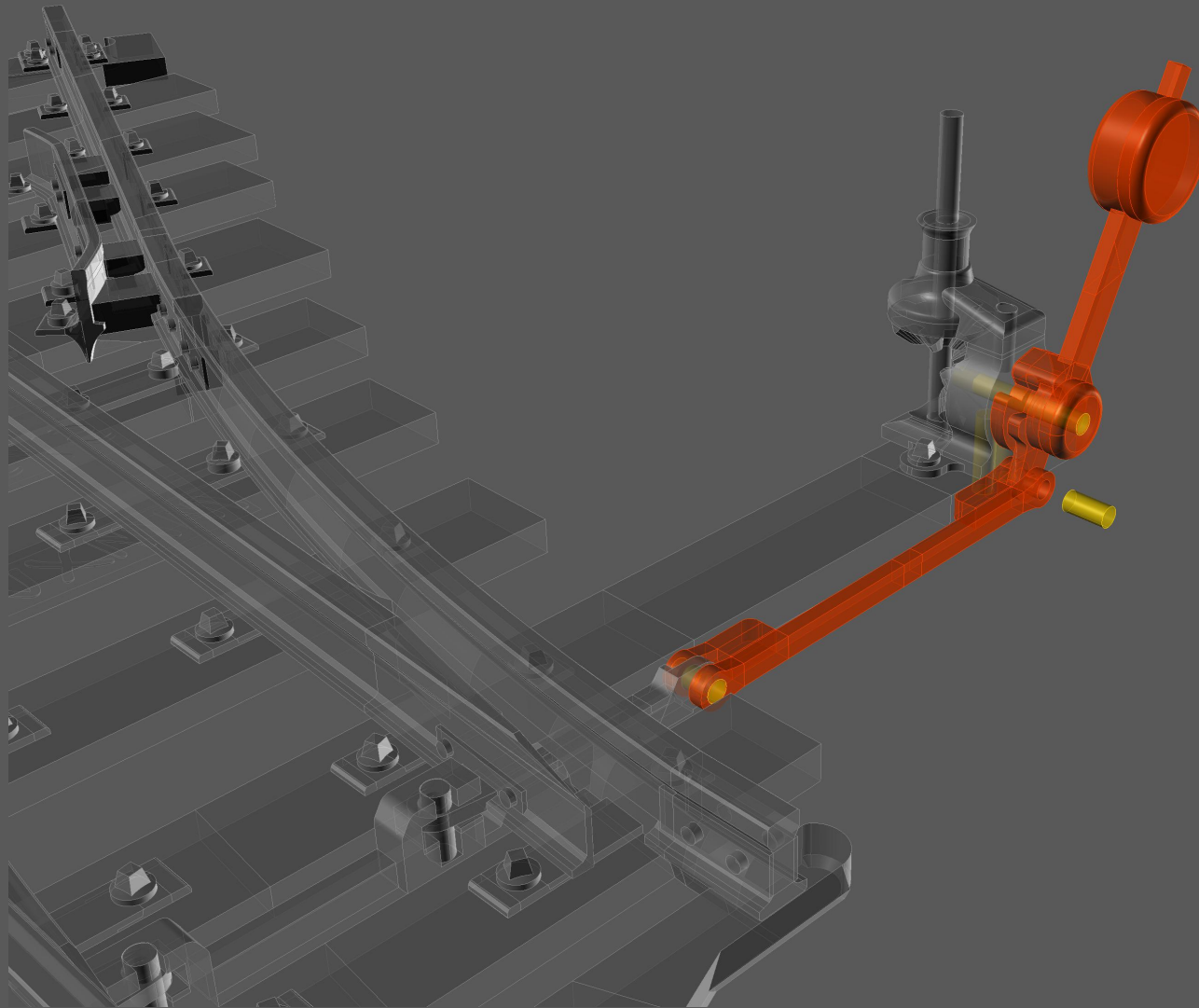
EUROREPRAP.EU



3D PRINTABLE  
MODEL

TURNOUT  
TYPES: 6L, 6R, 7L, 7R  
06.2015

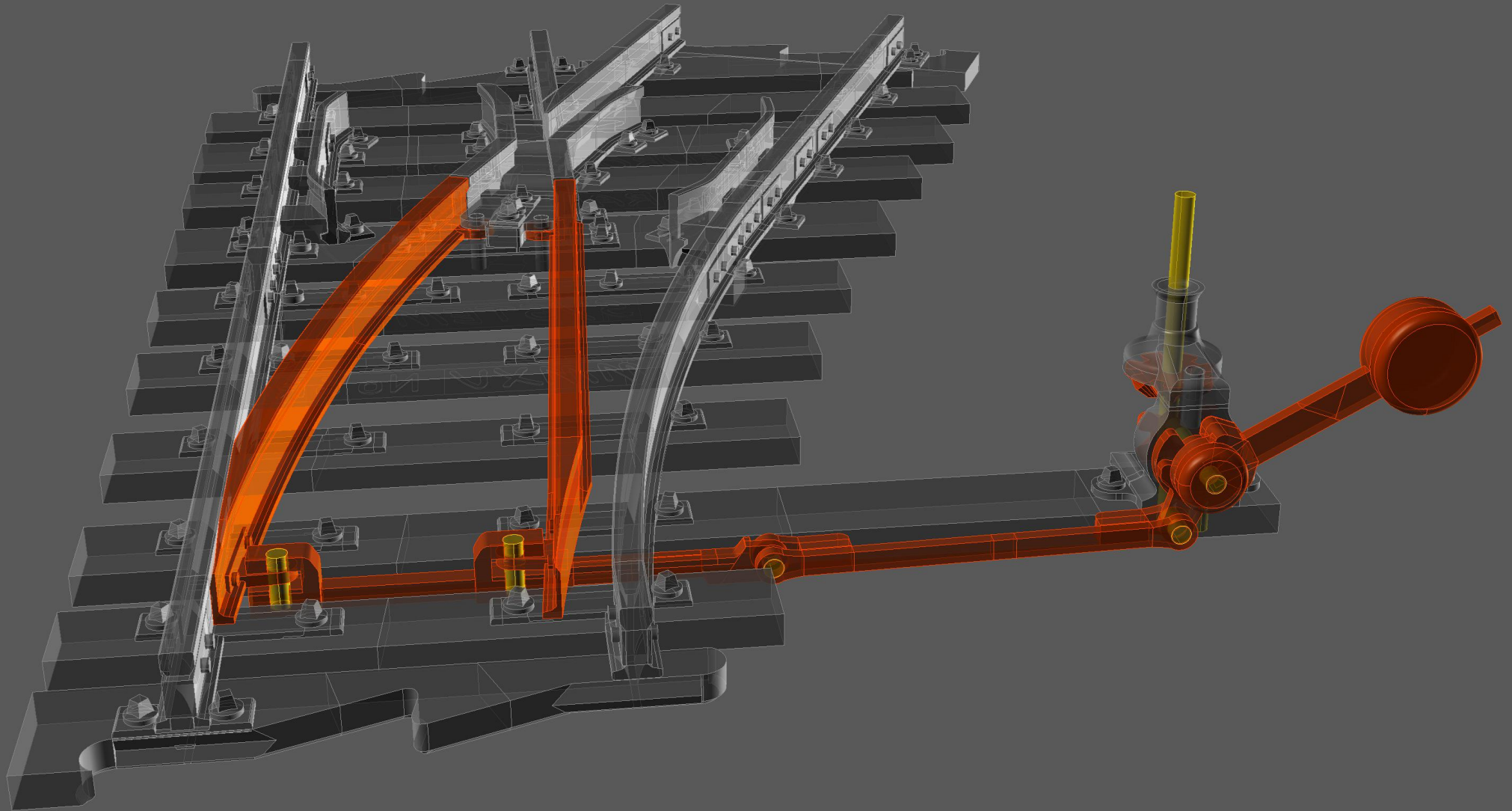
EUROREPRAP.EU



3D PRINTABLE  
MODEL

TURNOUT  
TYPES: 6L, 6R, 7L, 7R  
06.2015

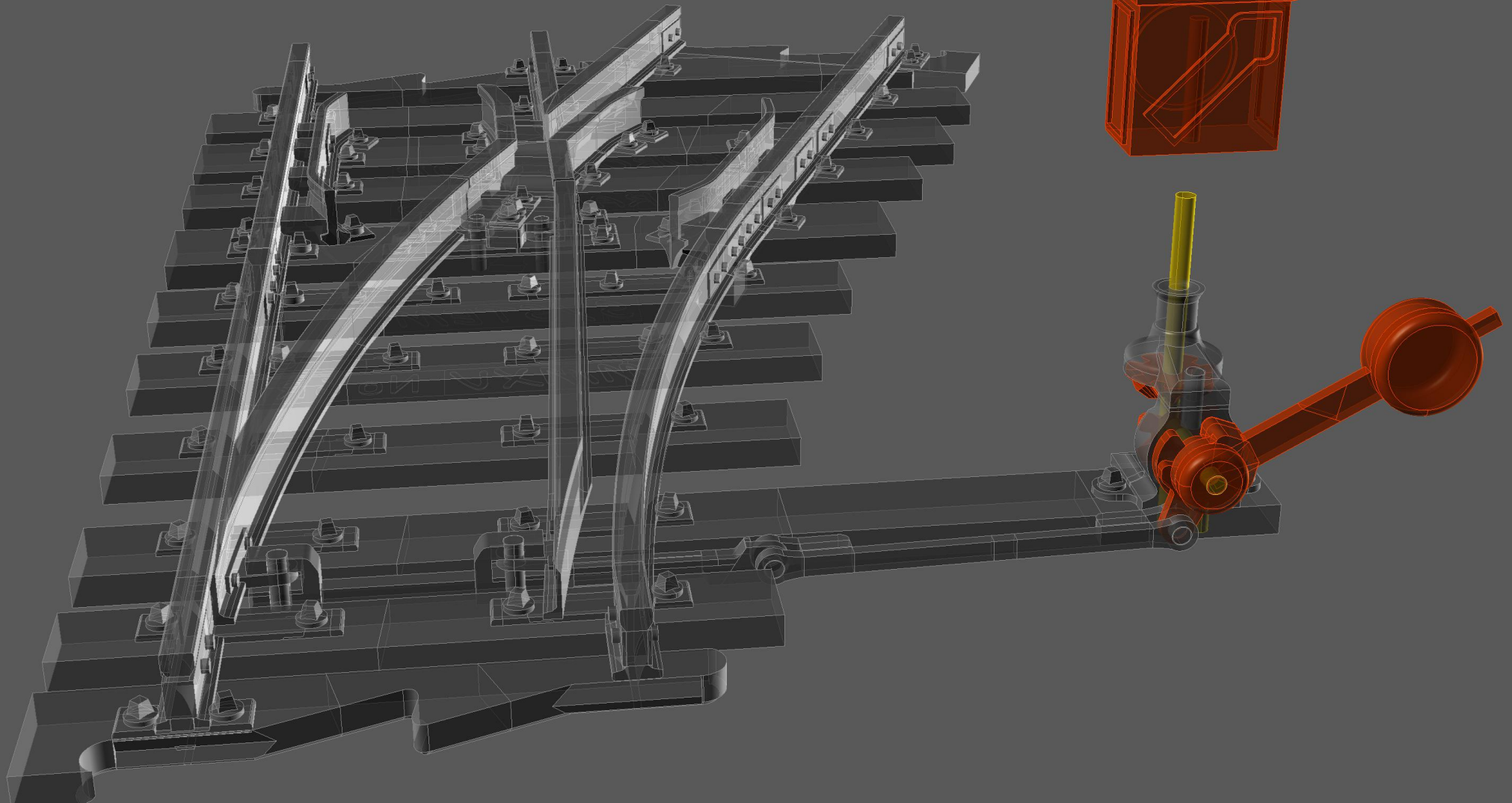
EUROREPRAP.EU



3D PRINTABLE  
MODEL

TURNOUT  
TYPES: 6L, 6R, 7L, 7R  
06.2015

EUROREPRAP.EU



3D PRINTABLE  
MODEL

TURNOUT  
TYPES: 6L, 6R, 7L, 7R  
06.2015

EUROREPRAP.EU

