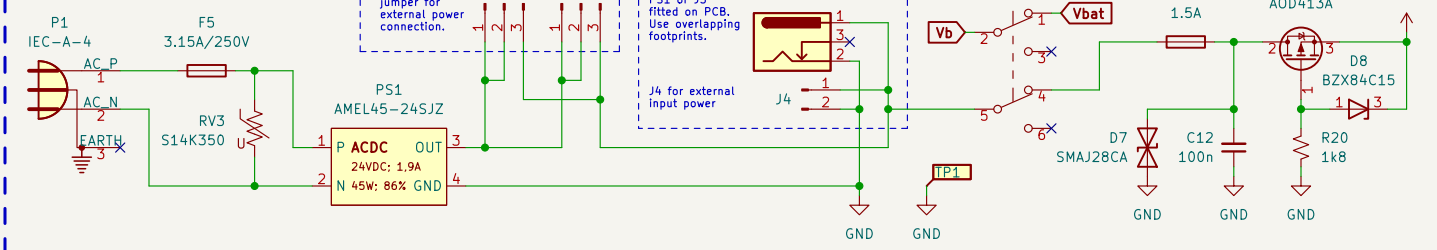
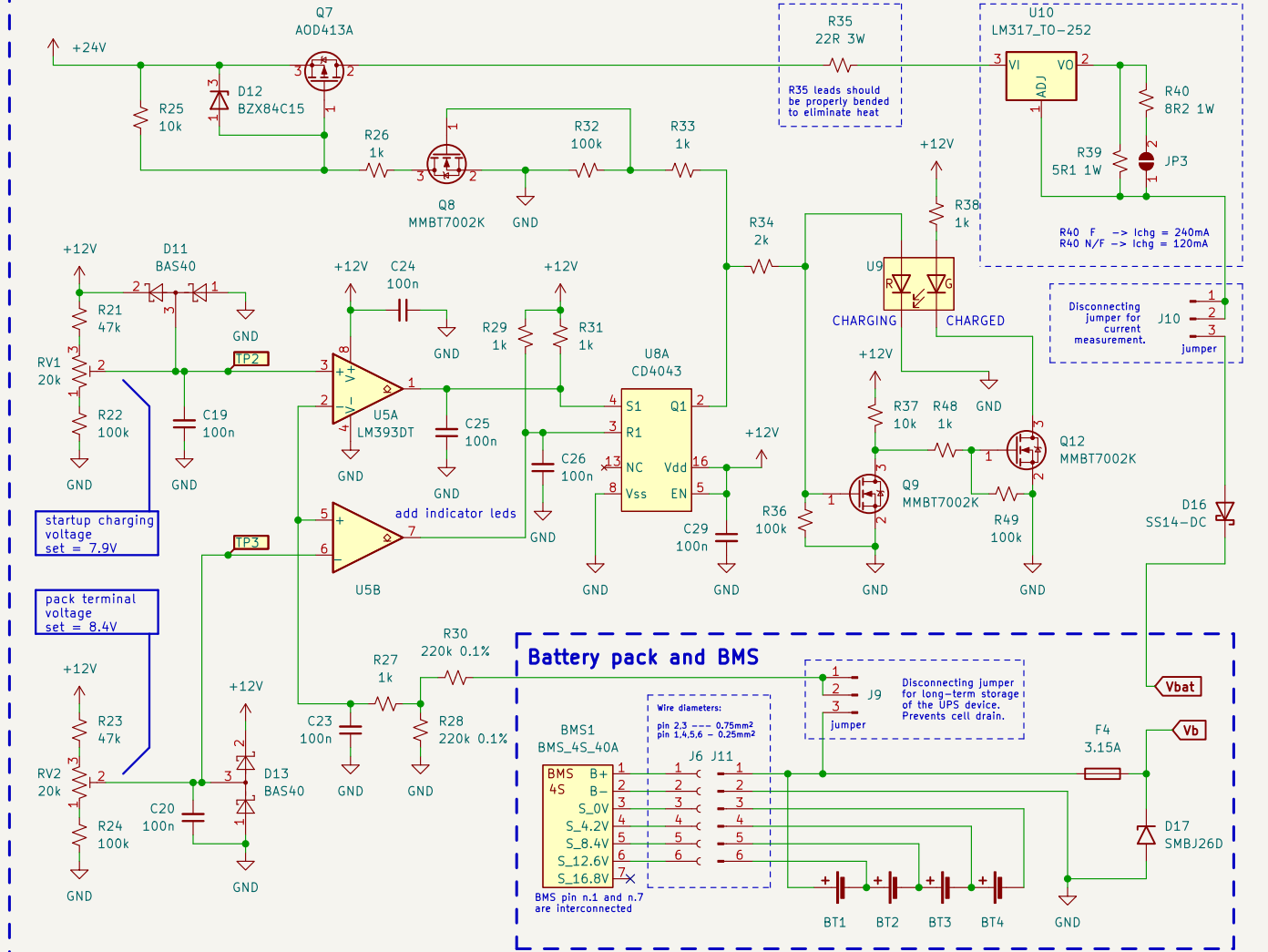


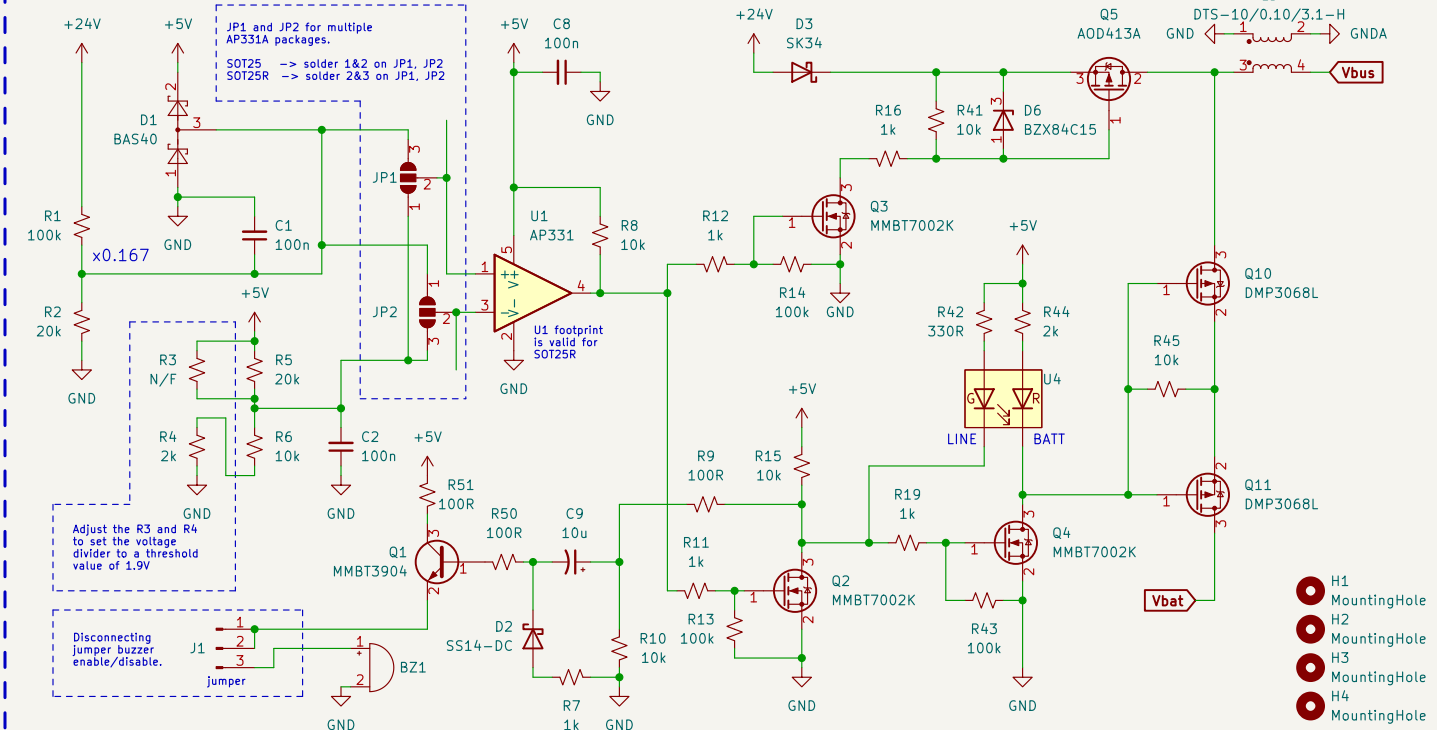
### 24V ACDC adapter and input protection



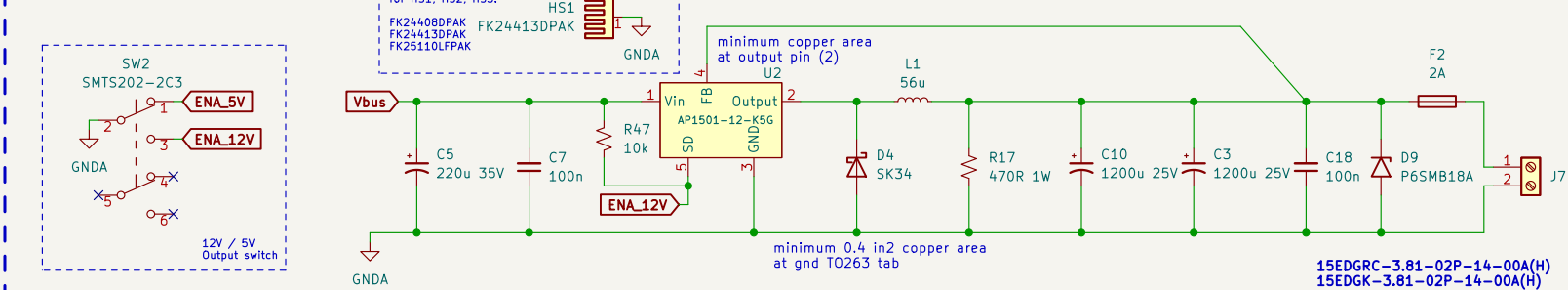
### Battery charger – NEW VERSION



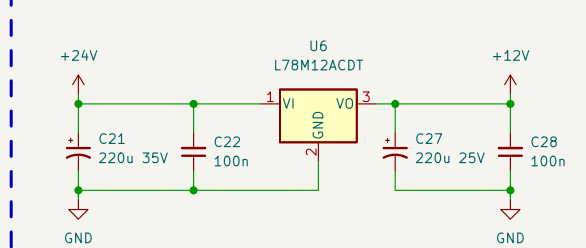
### Control Logic



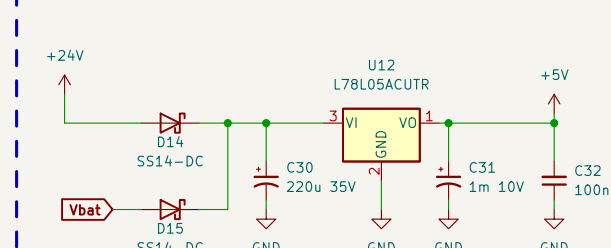
### 12V 2A Supply



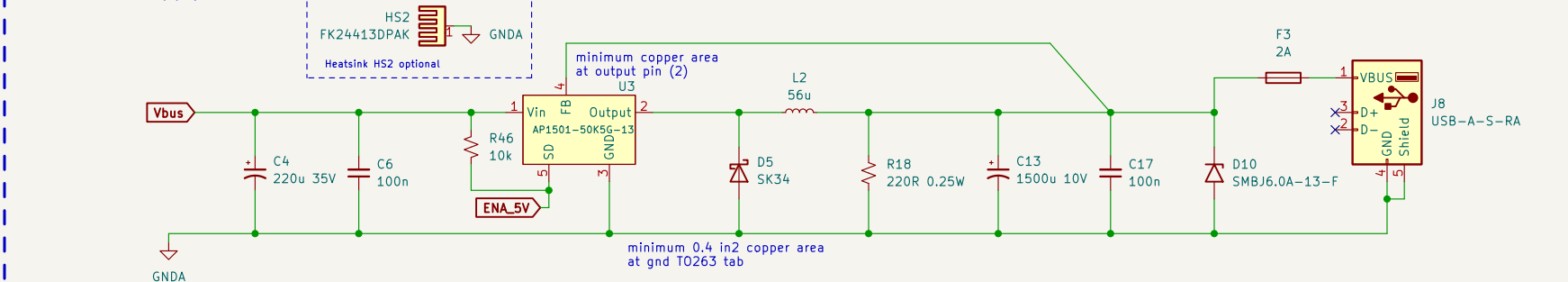
### 12V Supply



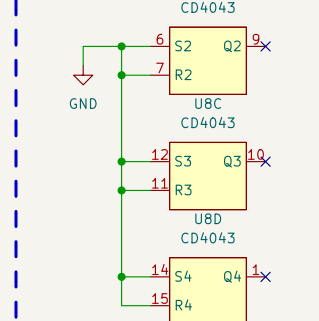
### 5V Supply



### 5V 2A USB Supply



### Unused gates



# VERSION 1.1

PCB spec:  
max 17 x 13cm  
max 3cm height