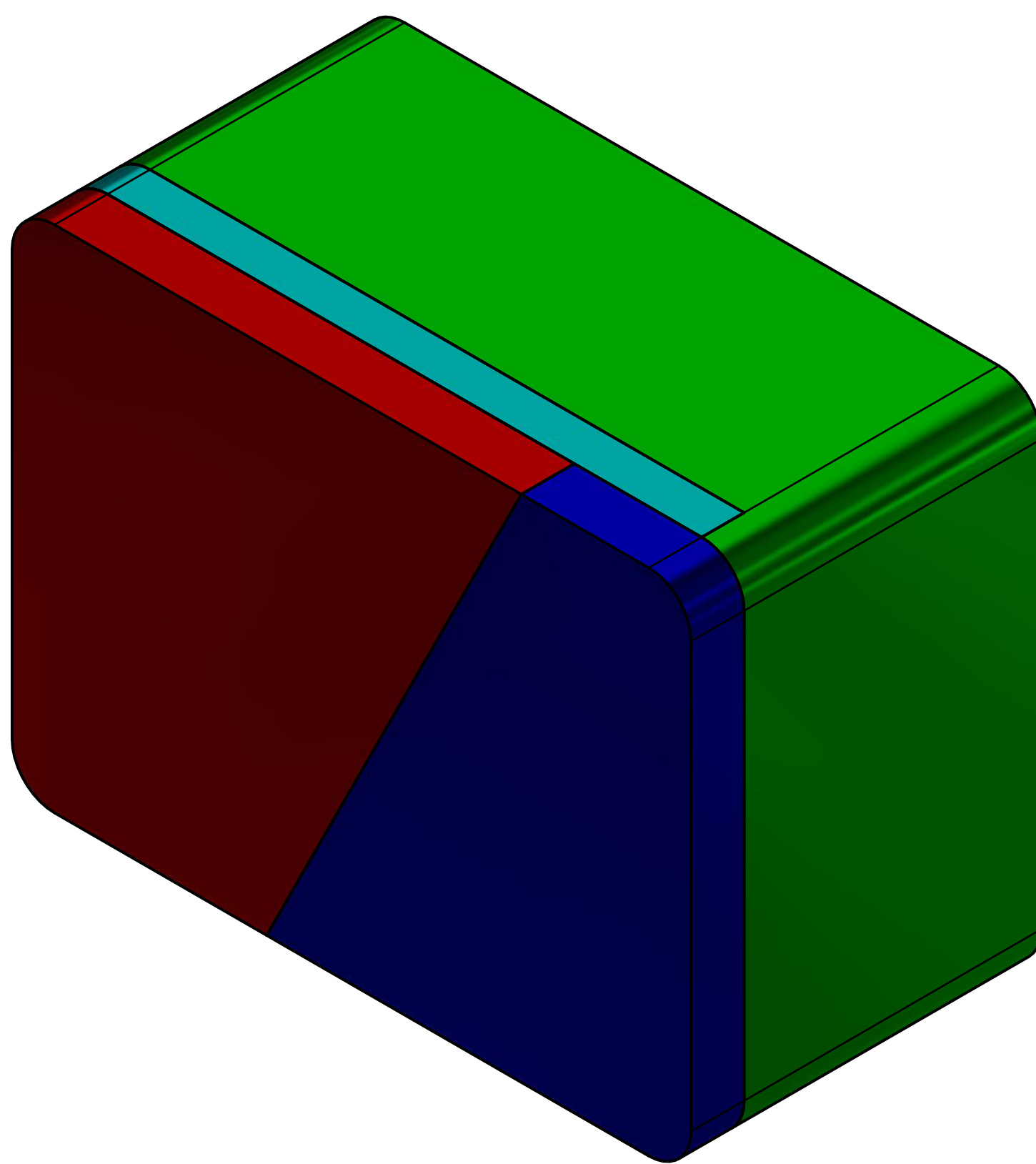
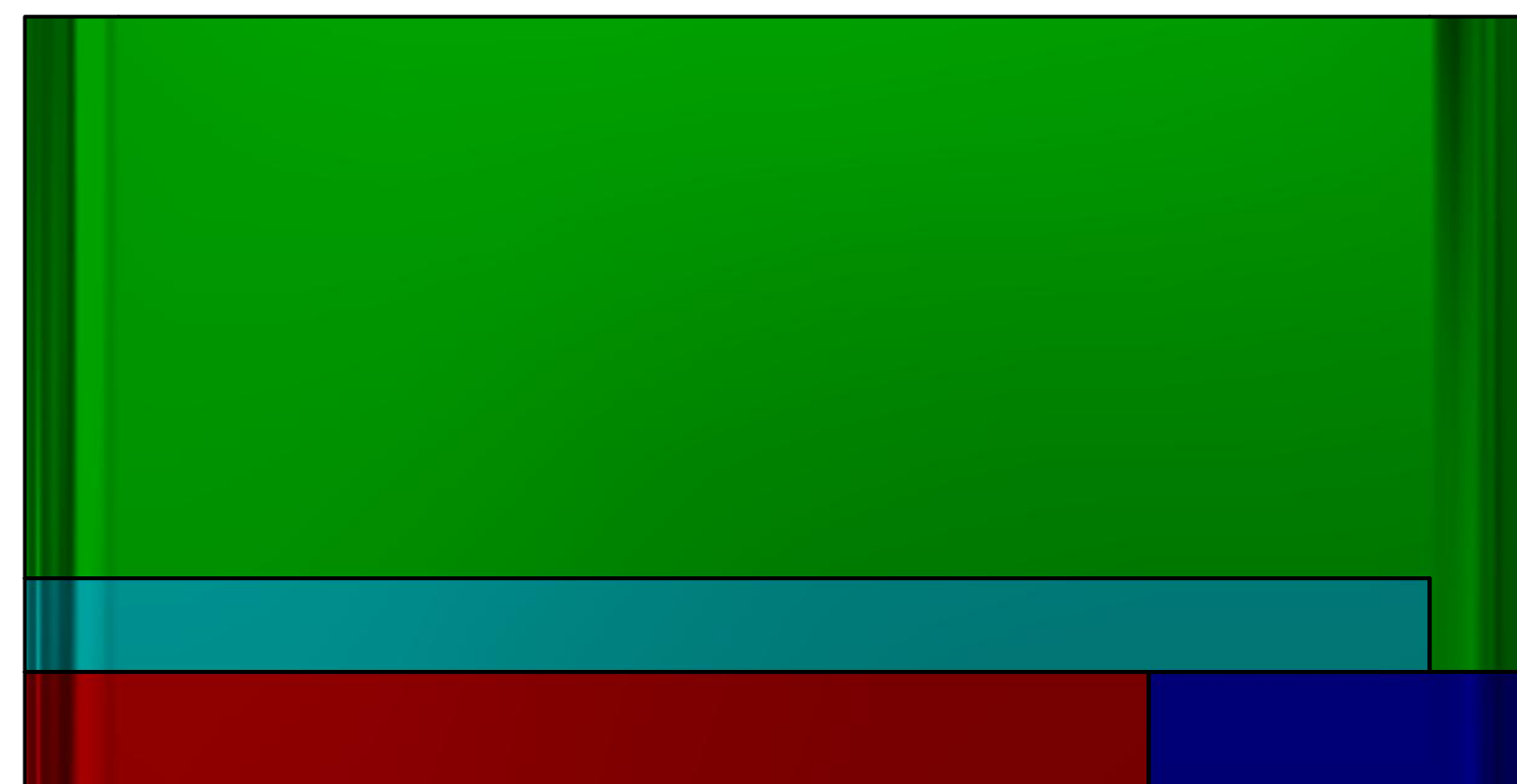


8 7 6 5 4 3 2 1

D

D

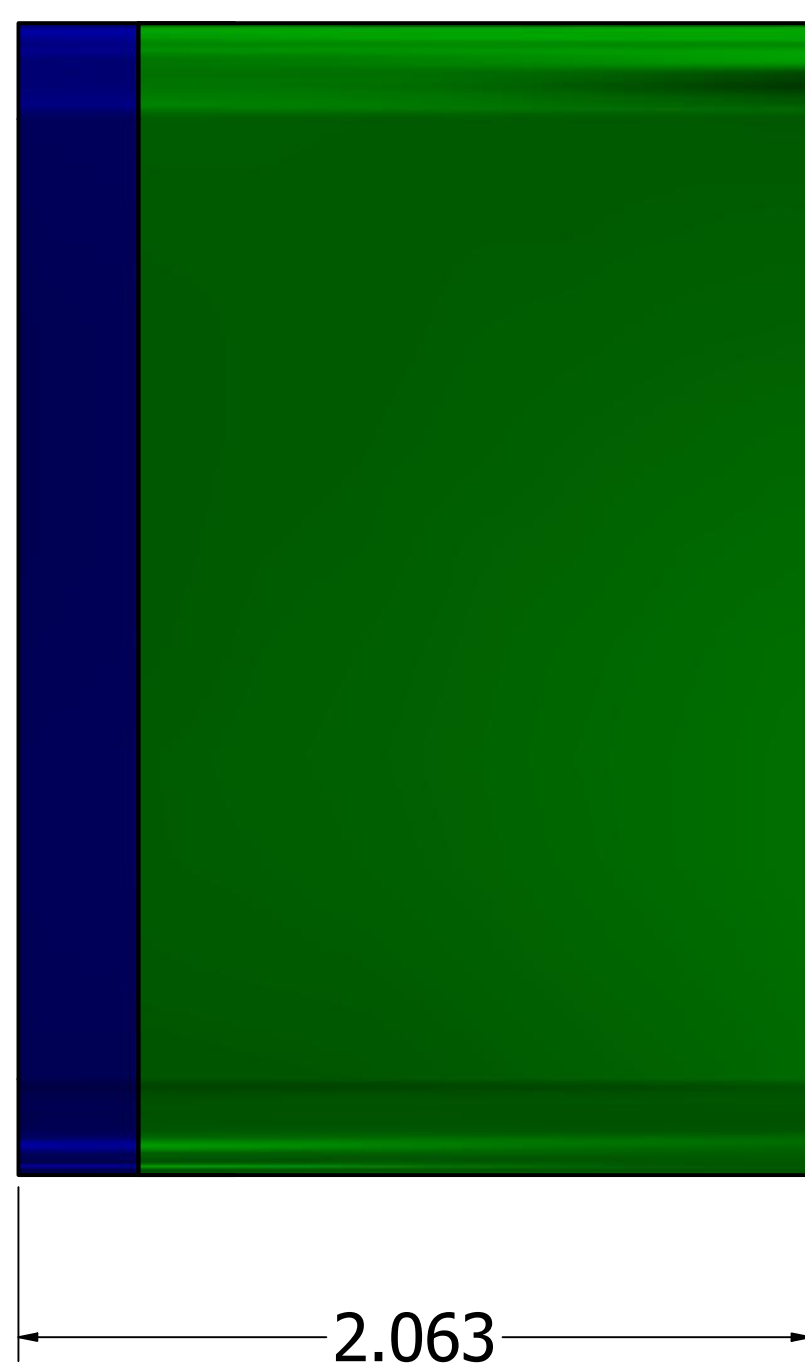
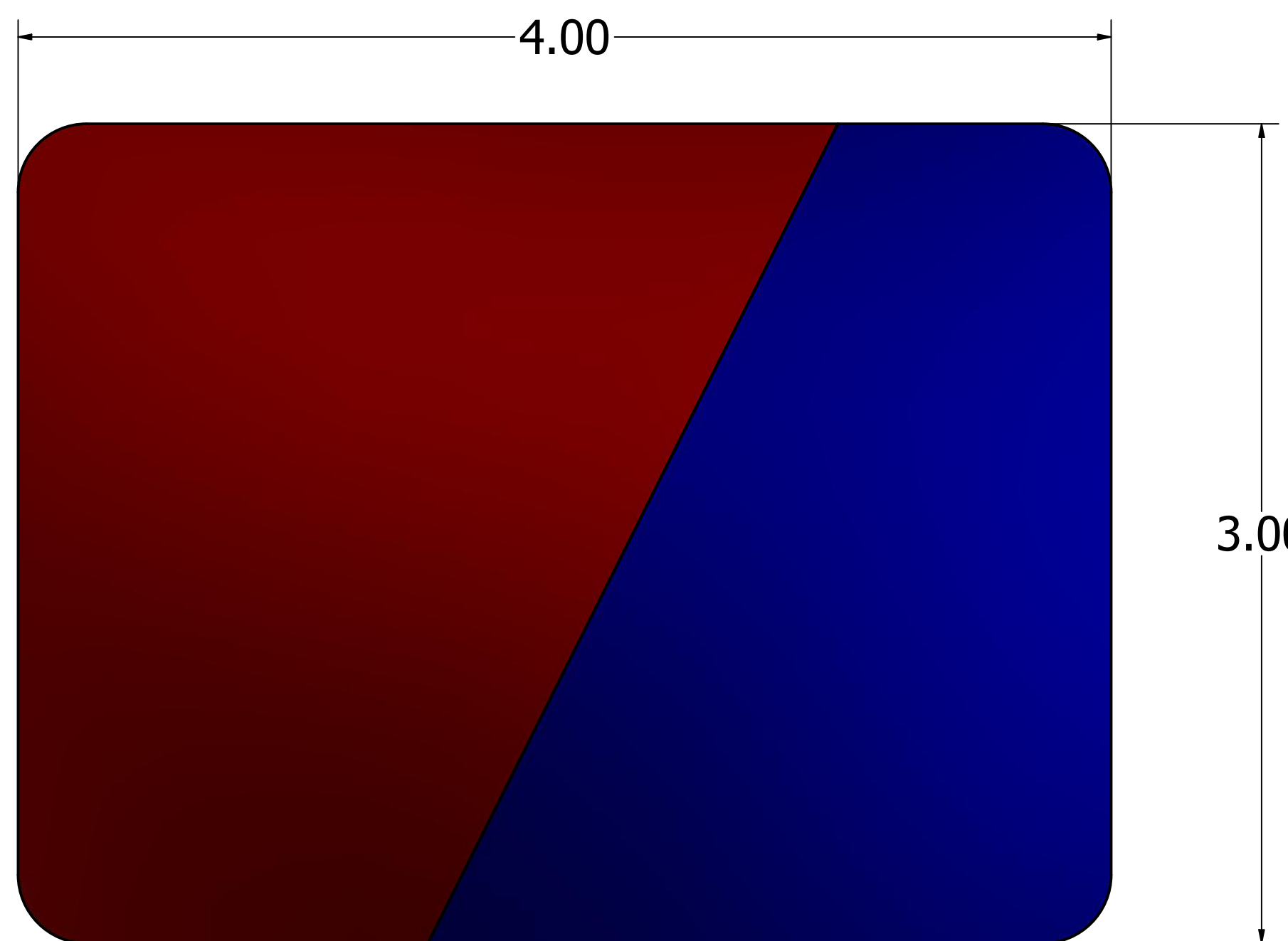


C

C

B

B



A

A

A

A

8 7 6 5 4 4 3 2 1

DRAWN	2/23/2021			
CHECKED		TITLE		
QA				
MFG				
APPROVED				
		SIZE	DWG NO	REV
		D	UnaBox_3D	
		SCALE	2	SHEET 1 OF 9

8 7 6 5 4 3 2 1

D

D

C

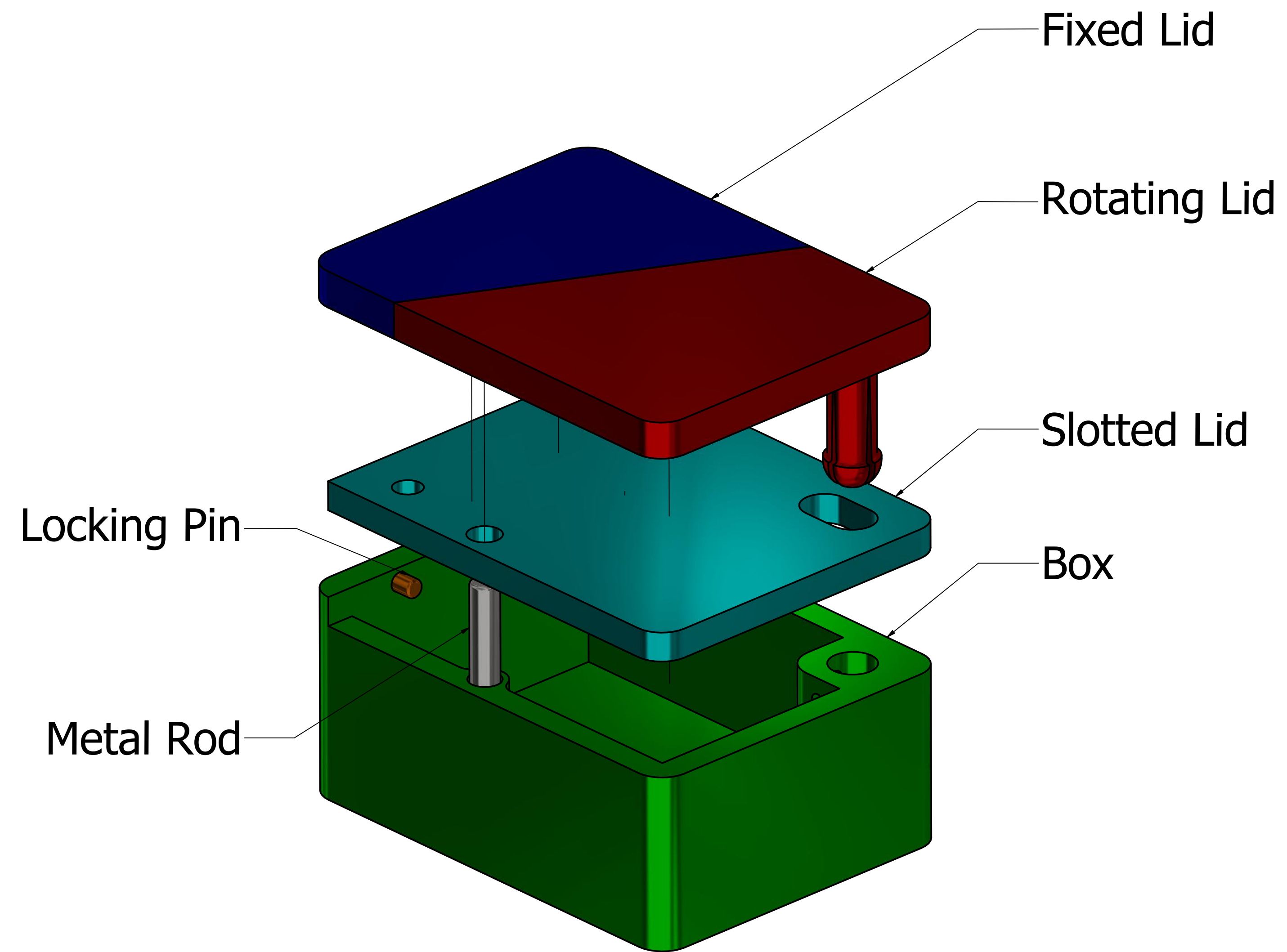
C

B

B

A

A



DRAWN	2/23/2021			
CHECKED		TITLE		
QA				
MFG				
APPROVED				
		SIZE	DWG NO	REV
		D	UnaBox_3D	
		SCALE	1.5	SHEET 2 OF 9

8 7 6 5 4 3 2 1

8 7 6 5 4 3 2 1

D

D

C

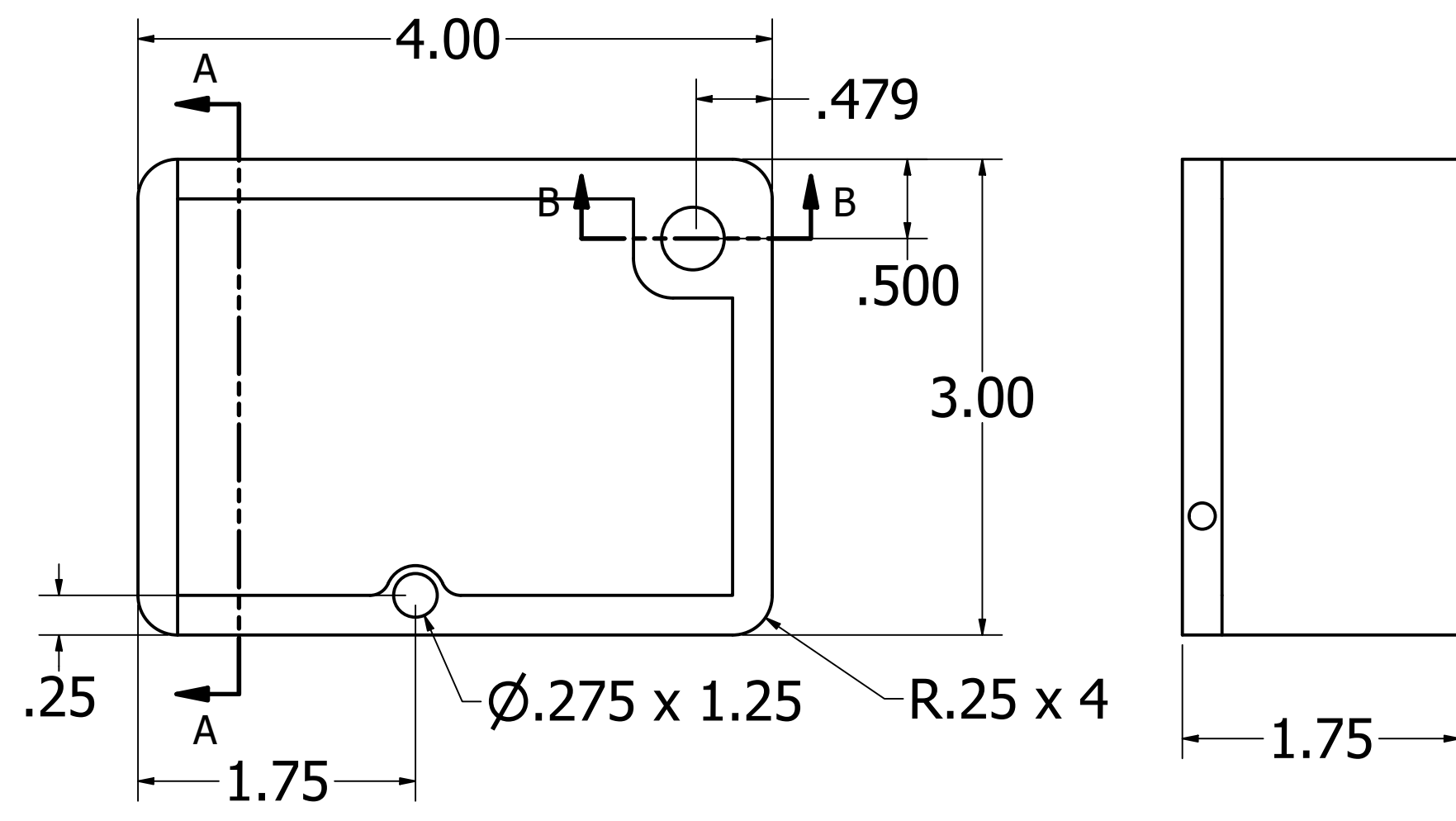
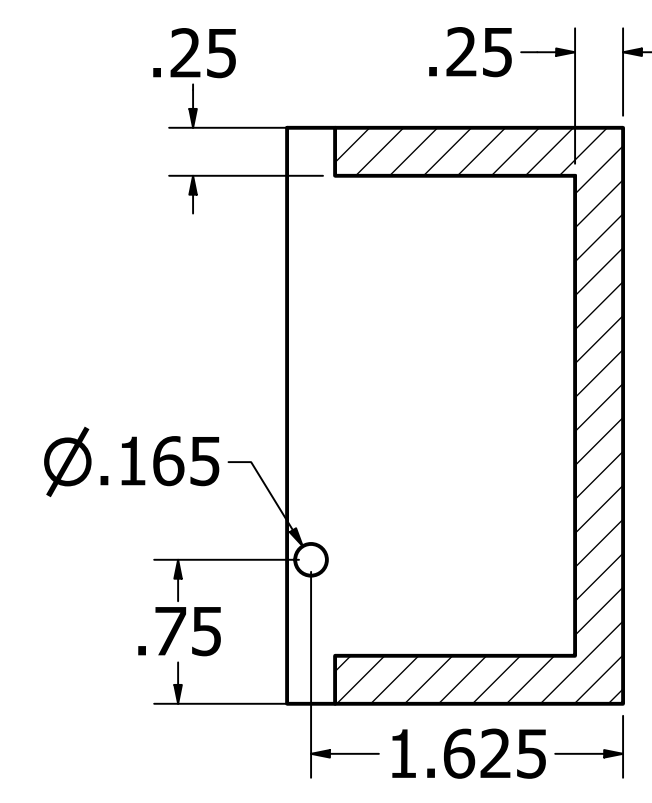
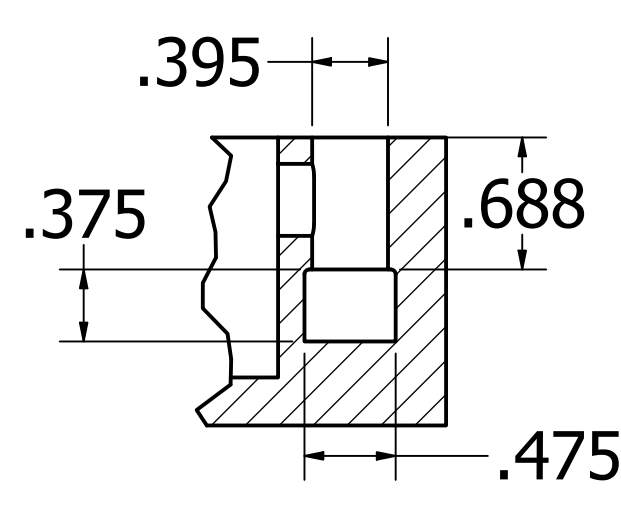
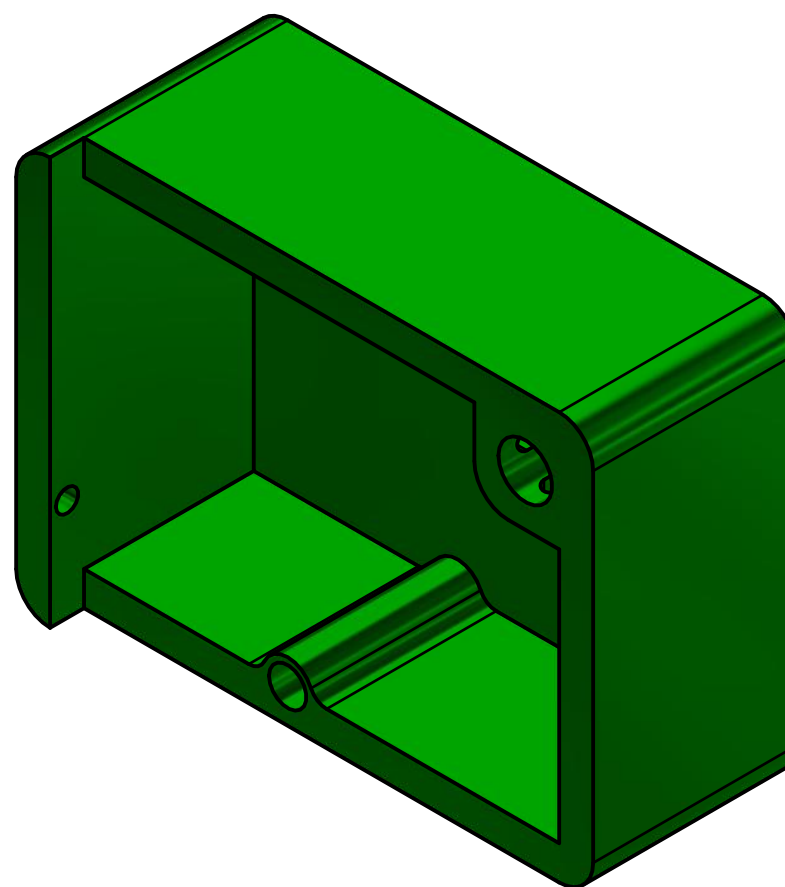
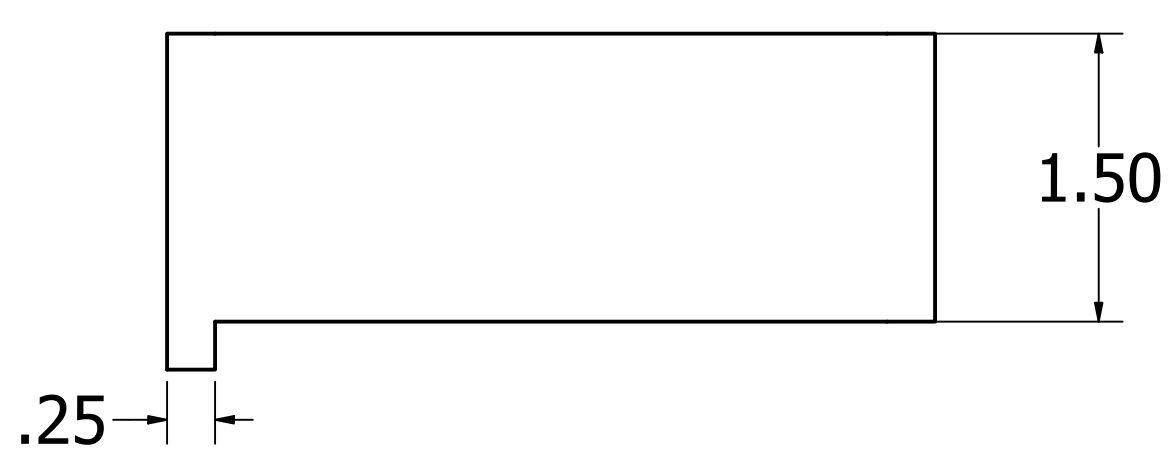
C

B

B

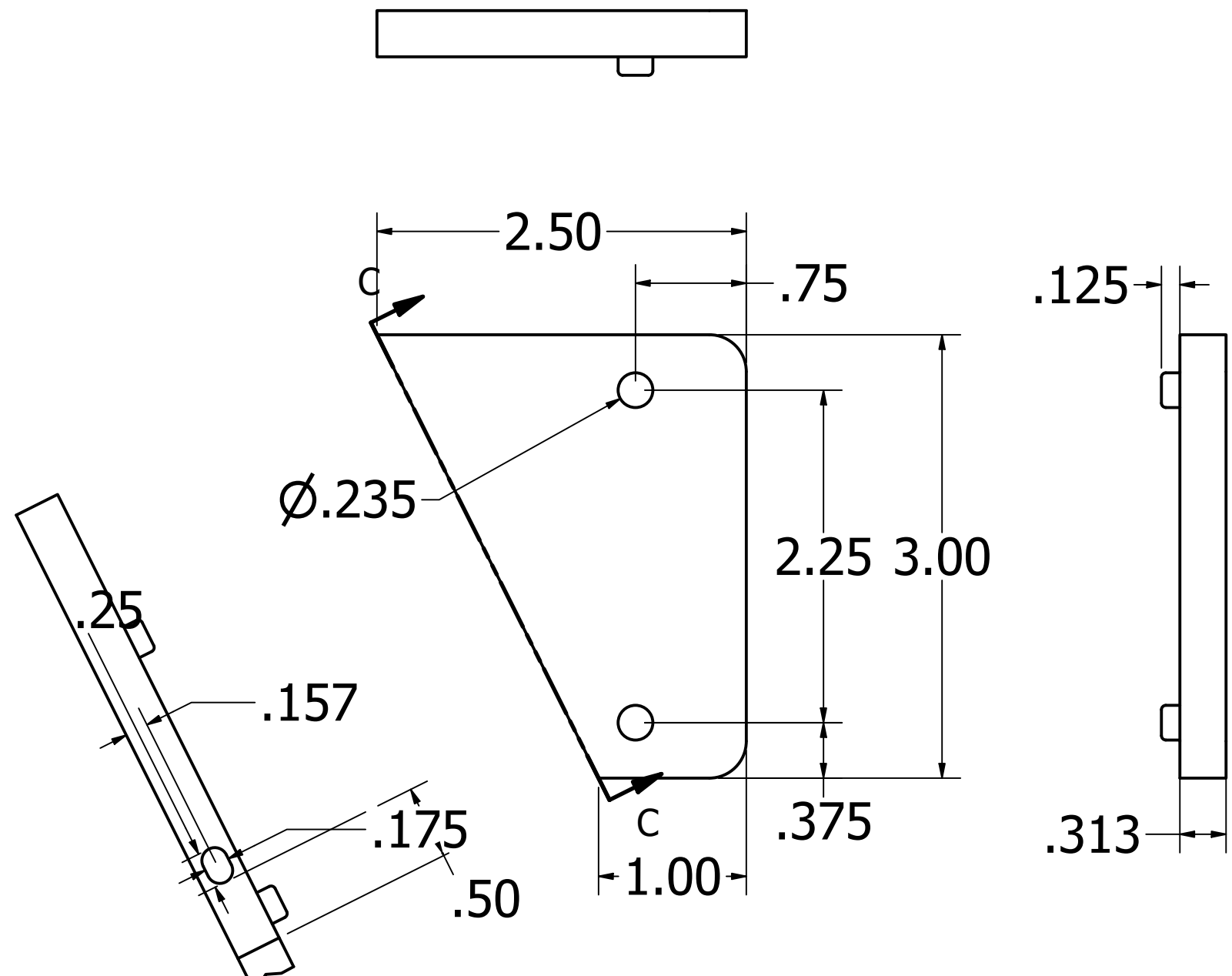
A

A



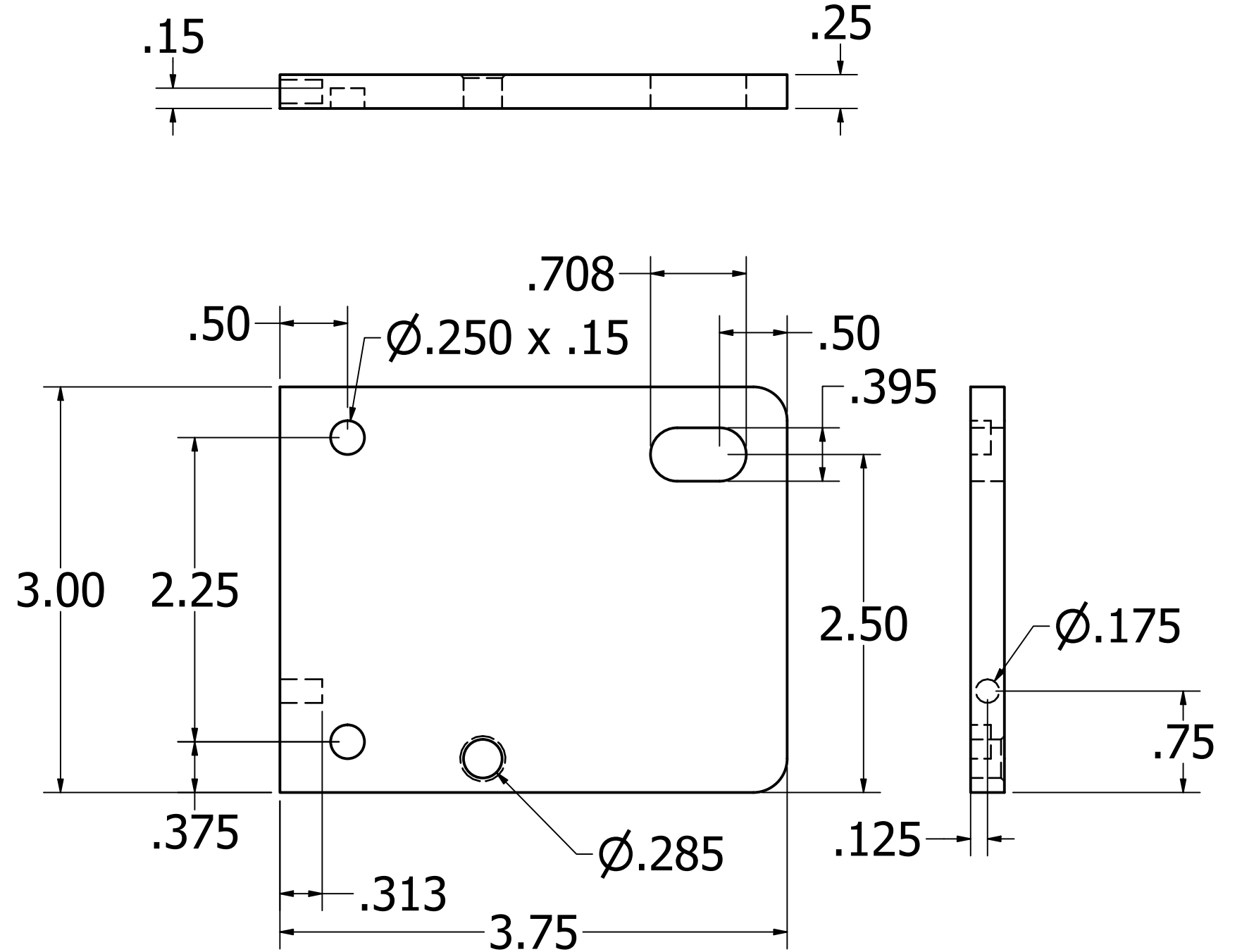
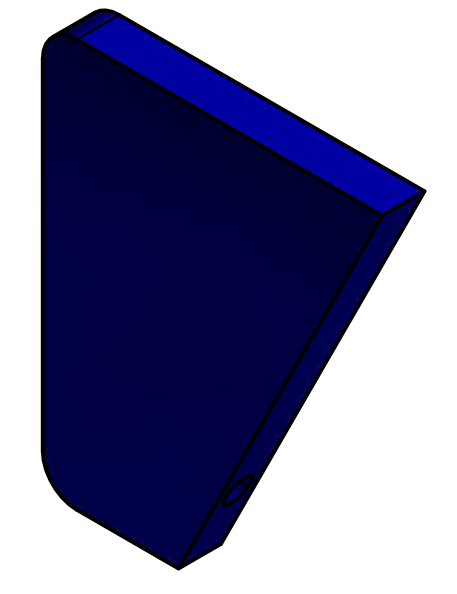
DRAWN	2/23/2021		
CHECKED		TITLE	
QA			
MFG			
APPROVED			
		SIZE	DWG NO
		D	UnaBox_3D
		SCALE	REV
		1 : 1	
		SHEET 3 OF 9	

8 7 6 5 4 3 2 1

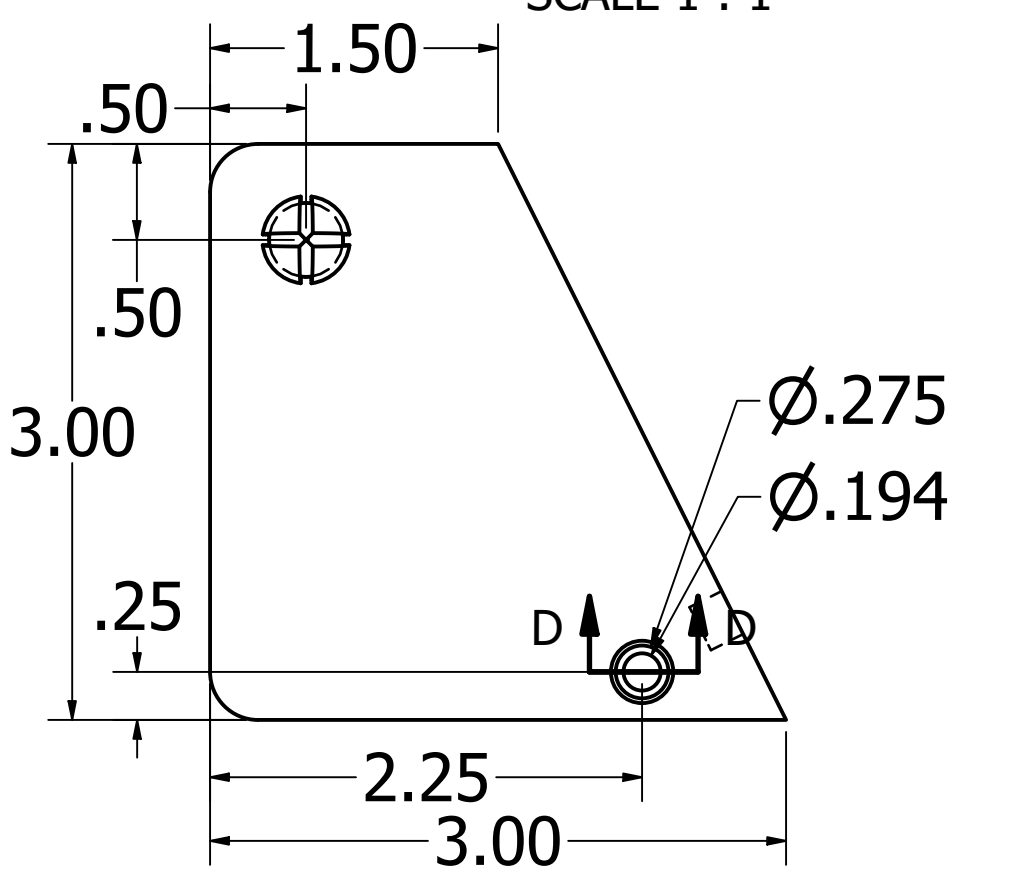
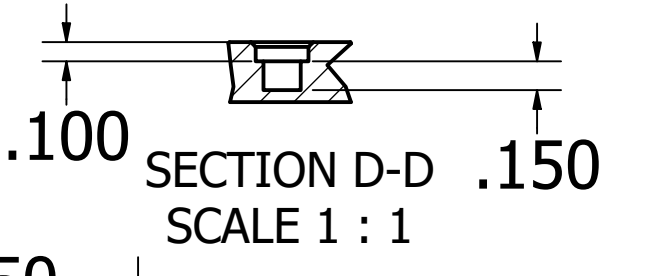
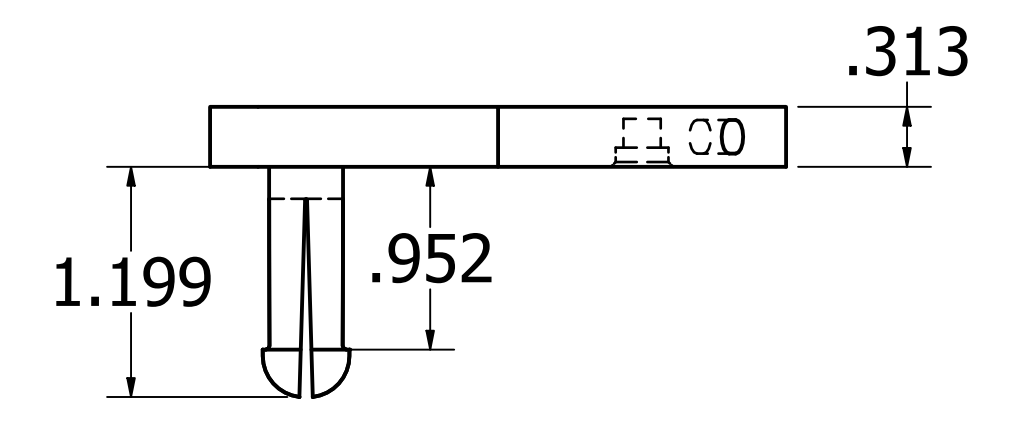
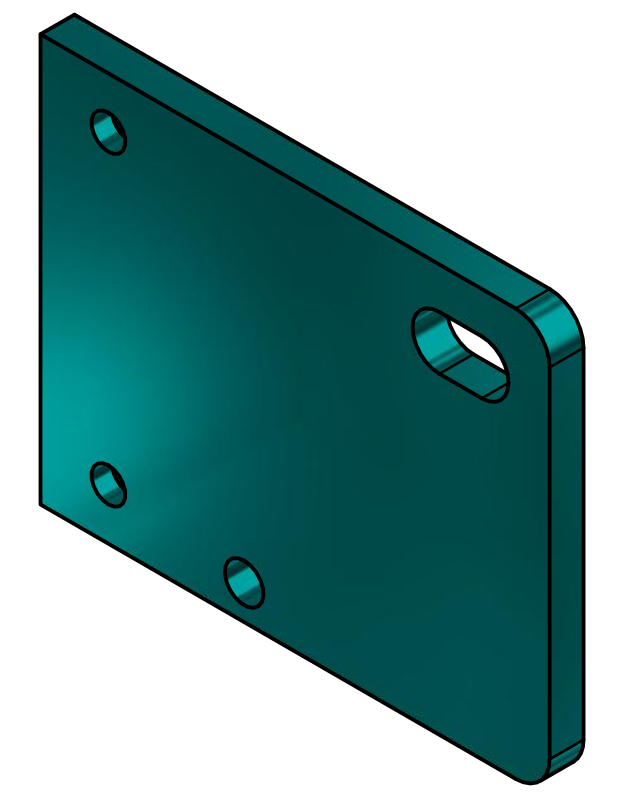


SECTION C-C
SCALE 1 : 1

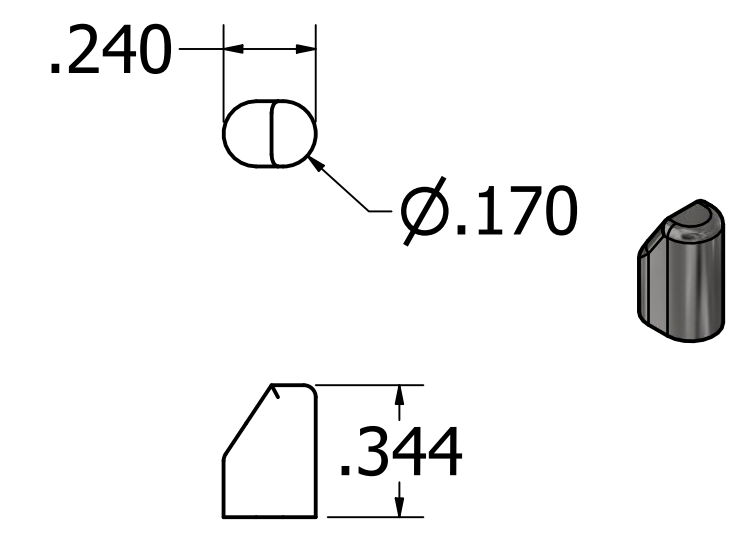
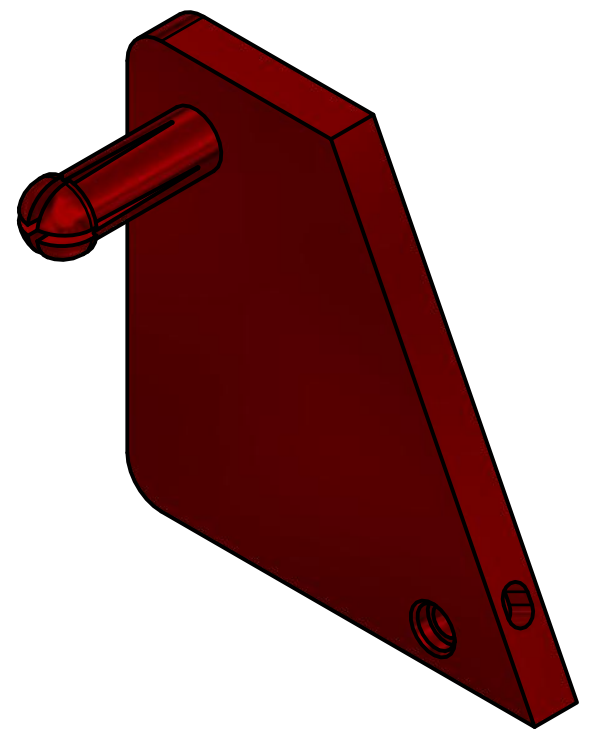
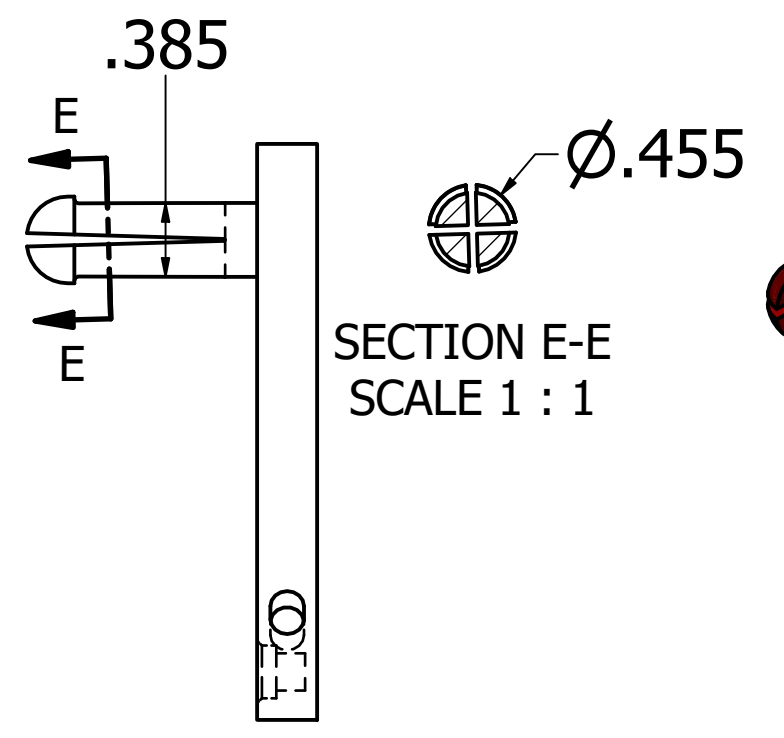
Fixed Lid



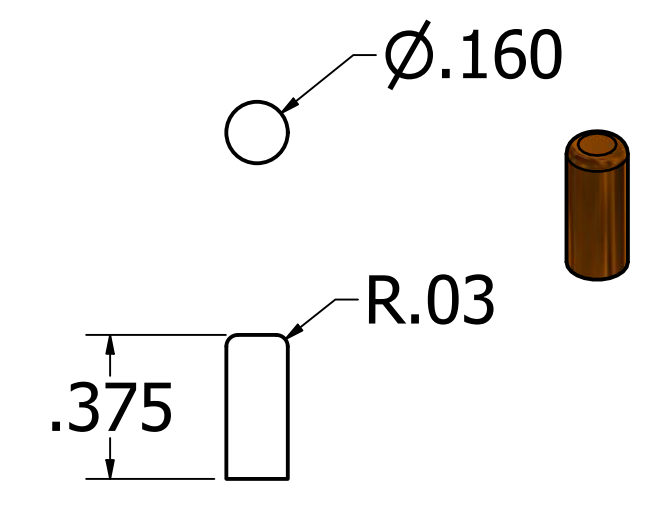
Slotted Lid



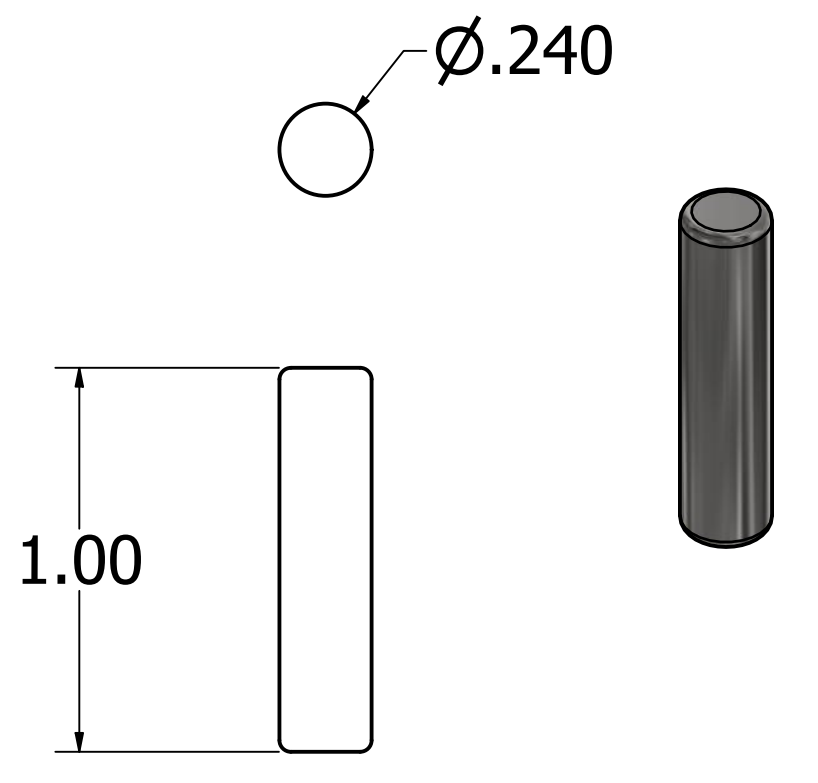
Rotating Lid



Locking Tab



Locking Pin



Metal Rod

DRAWN	2/23/2021	TITLE	
CHECKED		TITLE	
QA		TITLE	
MFG		TITLE	
APPROVED		TITLE	
		SIZE	DWG NO
		D	UnaBox_3D
		SCALE	REV
		1 : 1	
		SHEET 4 OF 9	

8 7 6 5 4 3 2 1

D

D

C

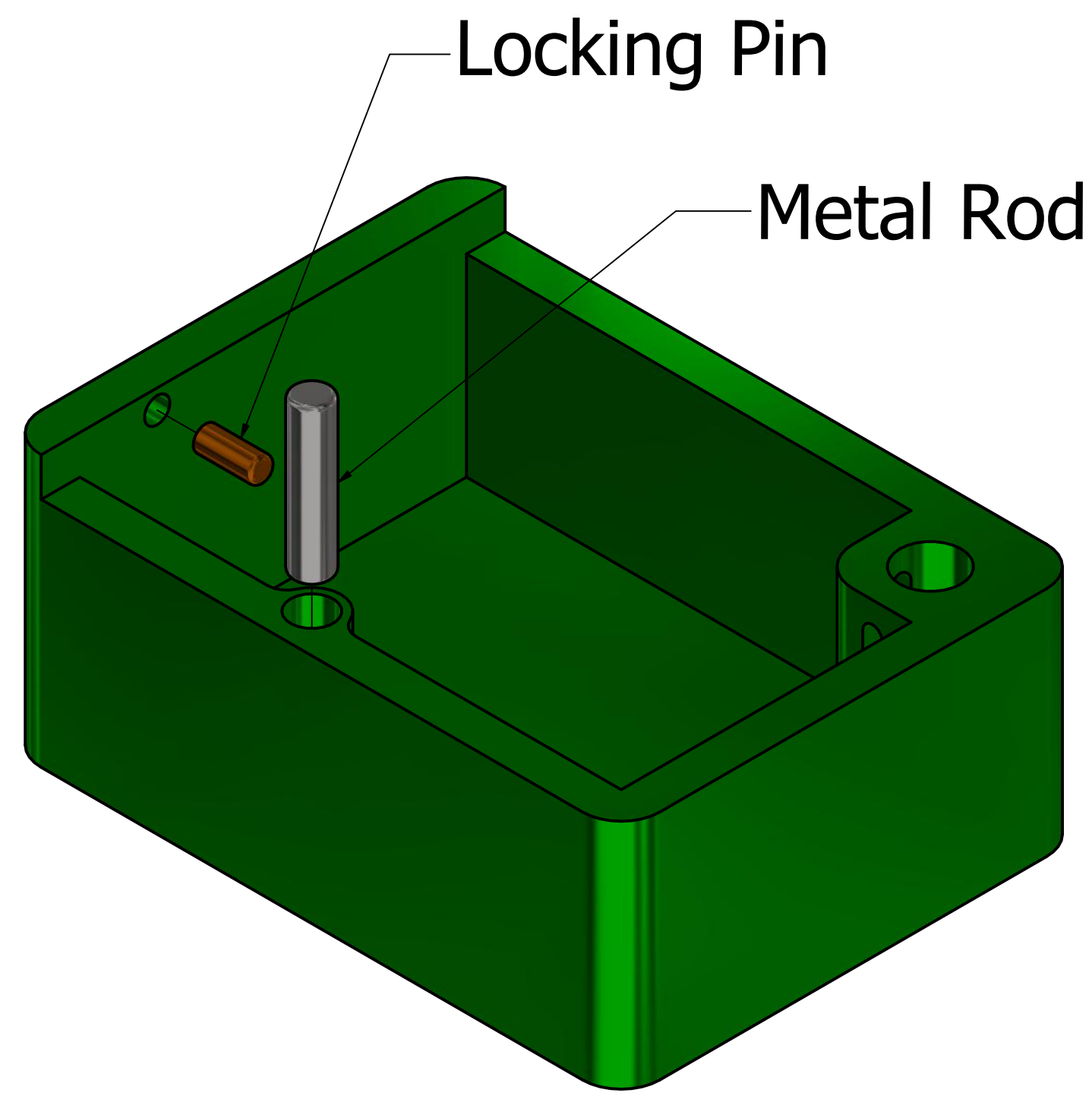
C

B

B

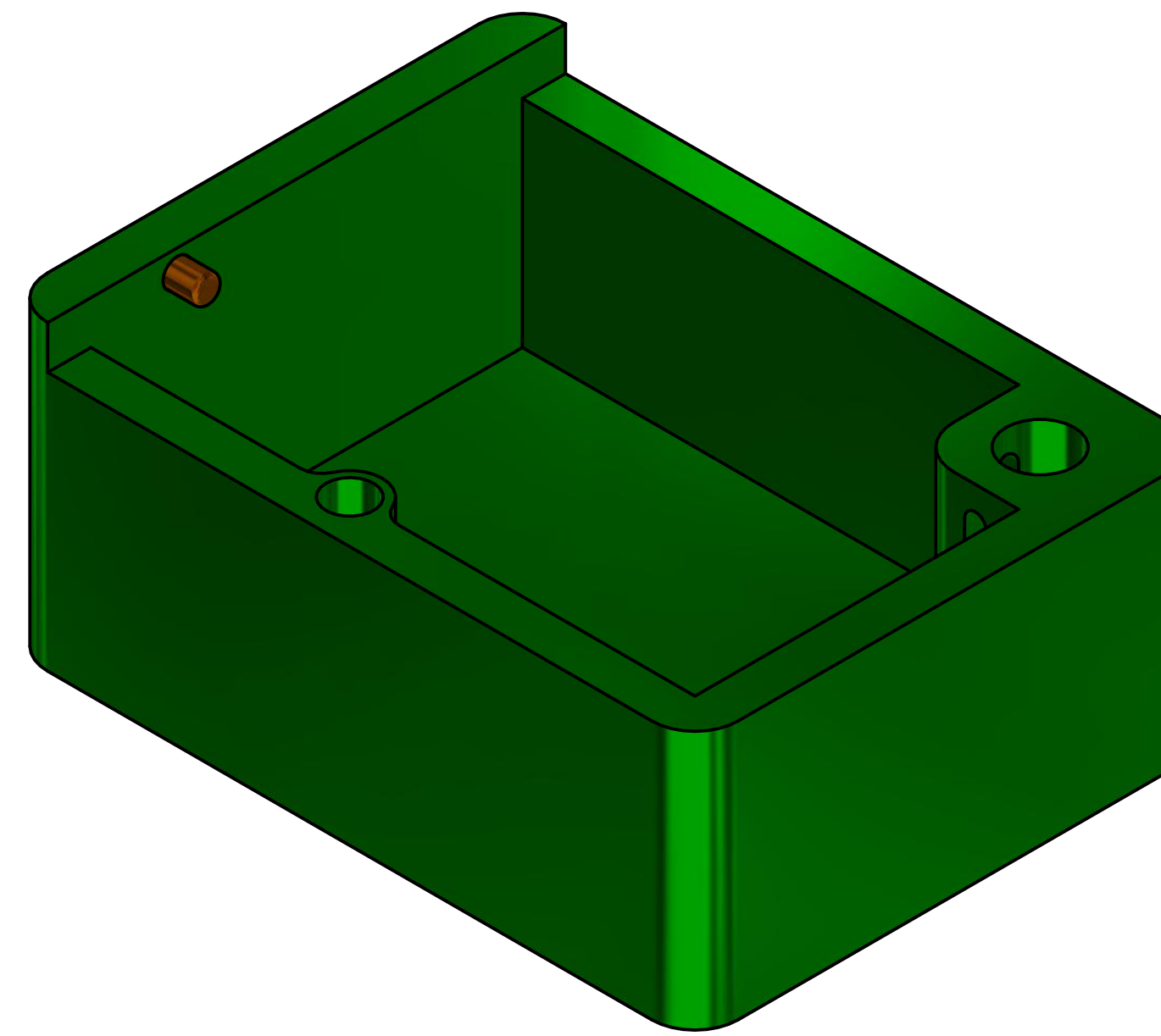
A

A



Locking Pin

Metal Rod



DRAWN	2/23/2021			
CHECKED		TITLE		
QA				
MFG				
APPROVED				
		SIZE	DWG NO	REV
		D	UnaBox_3D	
		SCALE	1.5	SHEET 5 OF 9

8 7 6 5 4 4 3 2 1

8 7 6 5 4 3 2 1

D

D

C

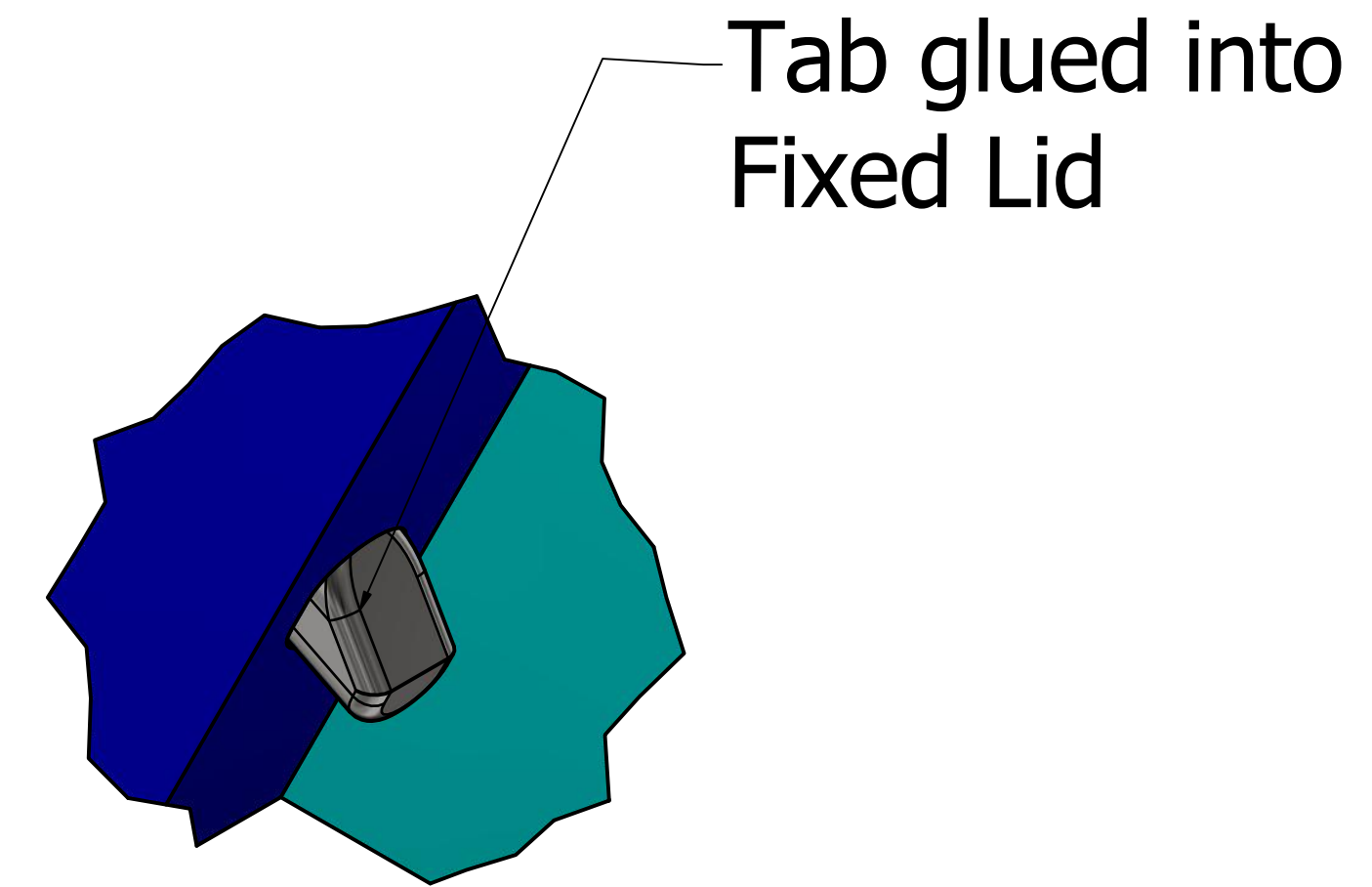
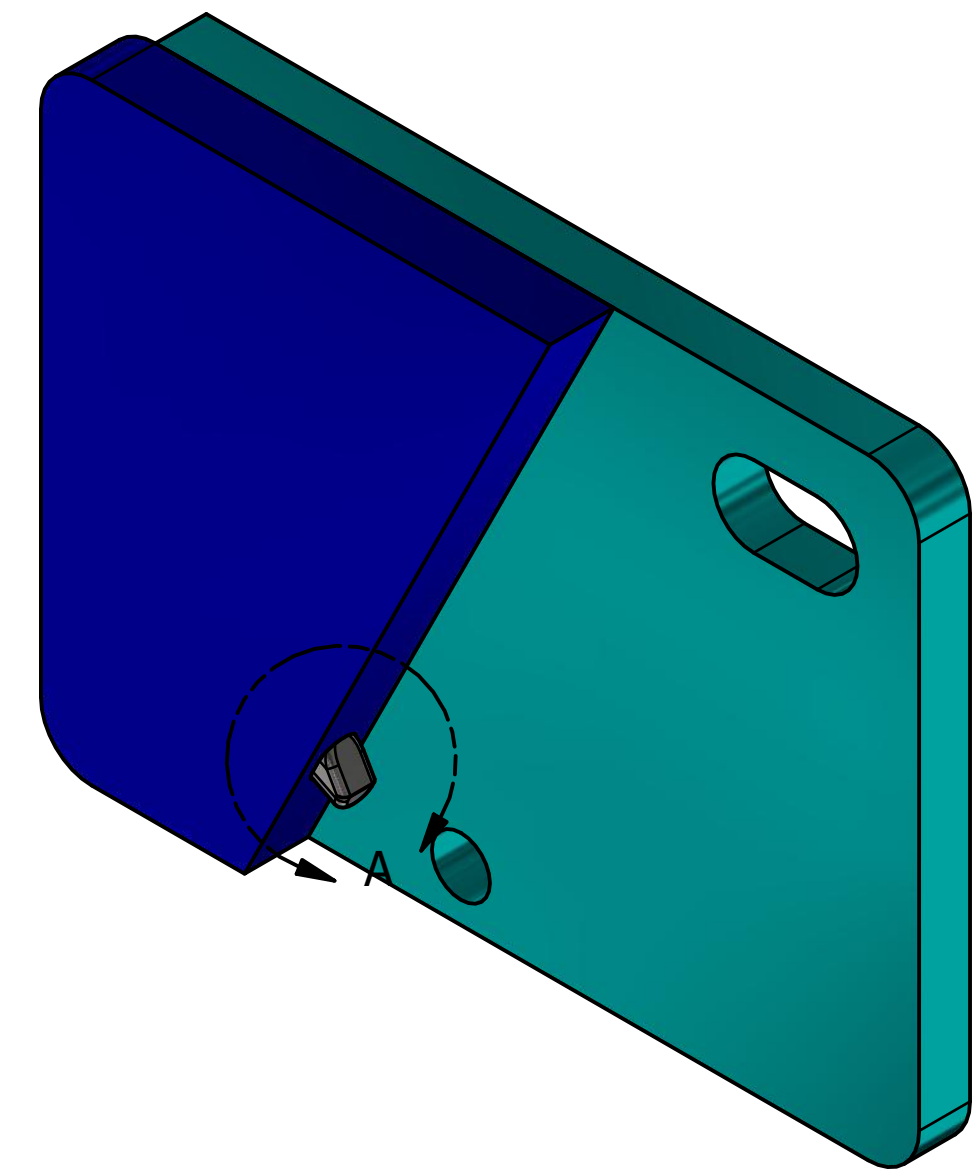
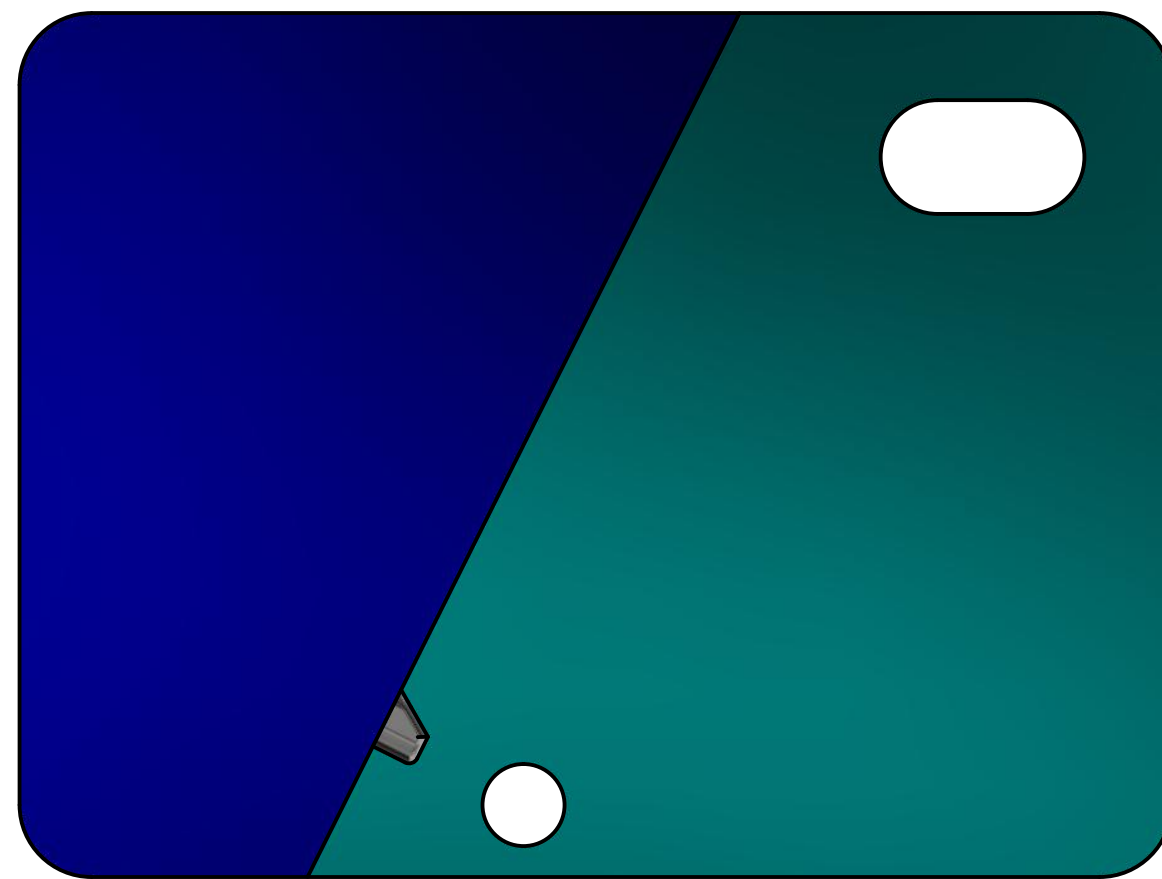
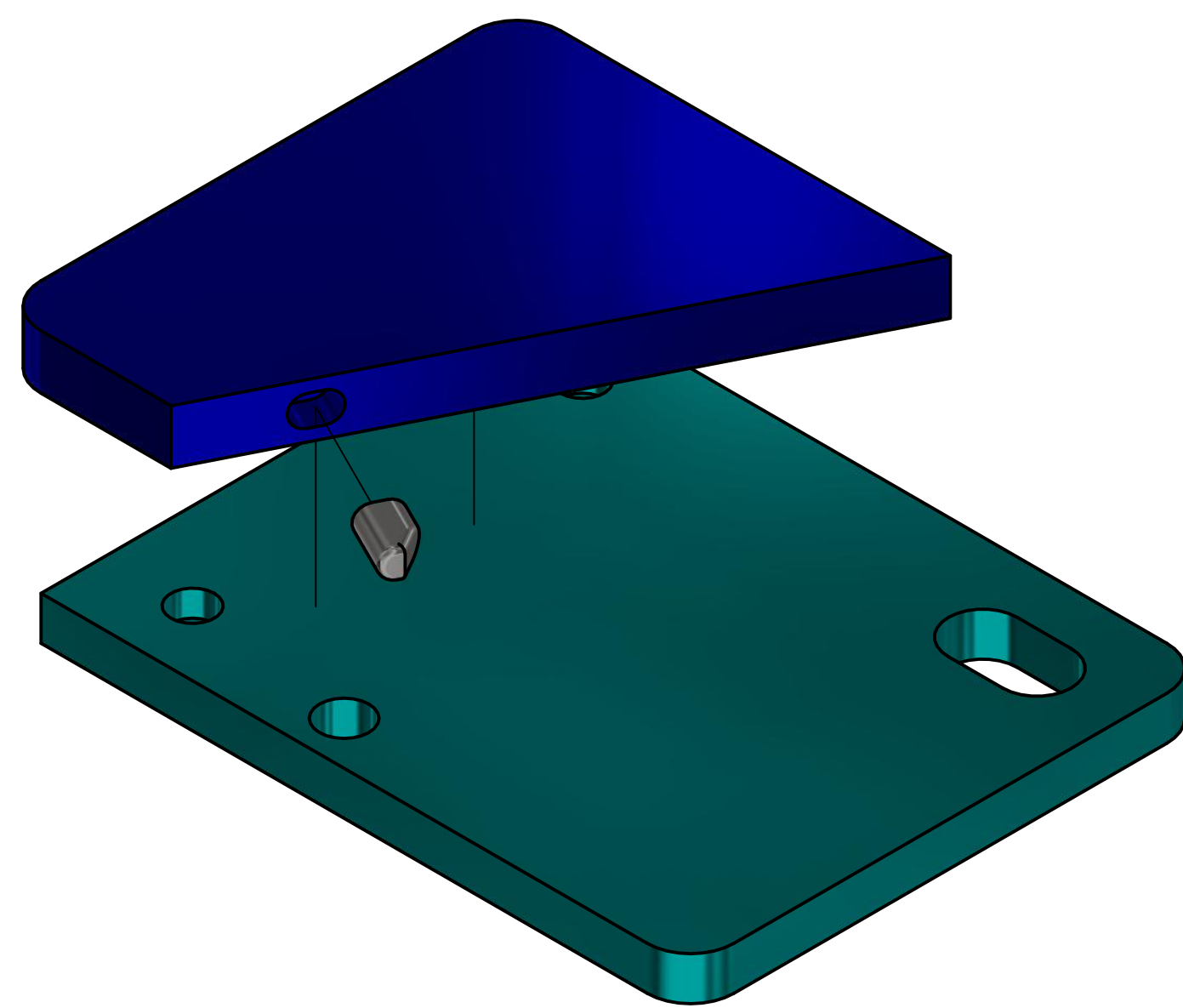
C

B

B

A

A



DETAIL A
SCALE 4

Fixed Lid glued to
Slotted Lid

DRAWN	2/23/2021			
CHECKED		TITLE		
QA				
MFG				
APPROVED				
		SIZE	DWG NO	REV
		D	UnaBox_3D	
		SCALE	1.5	SHEET 6 OF 9

8 7 6 5 4 3 2 1

8 7 6 5 4 3 2 1

D

D

C

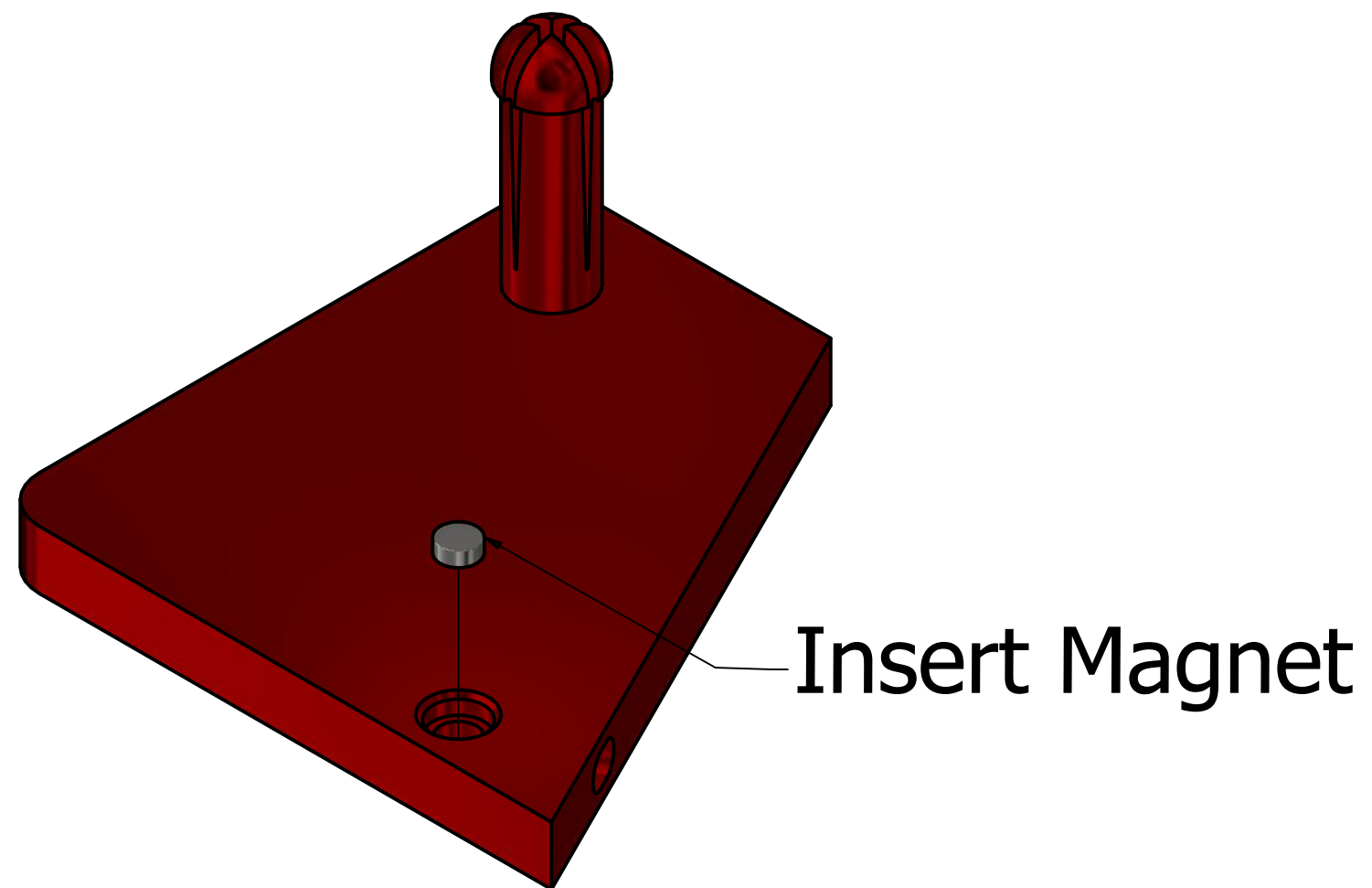
C

B

B

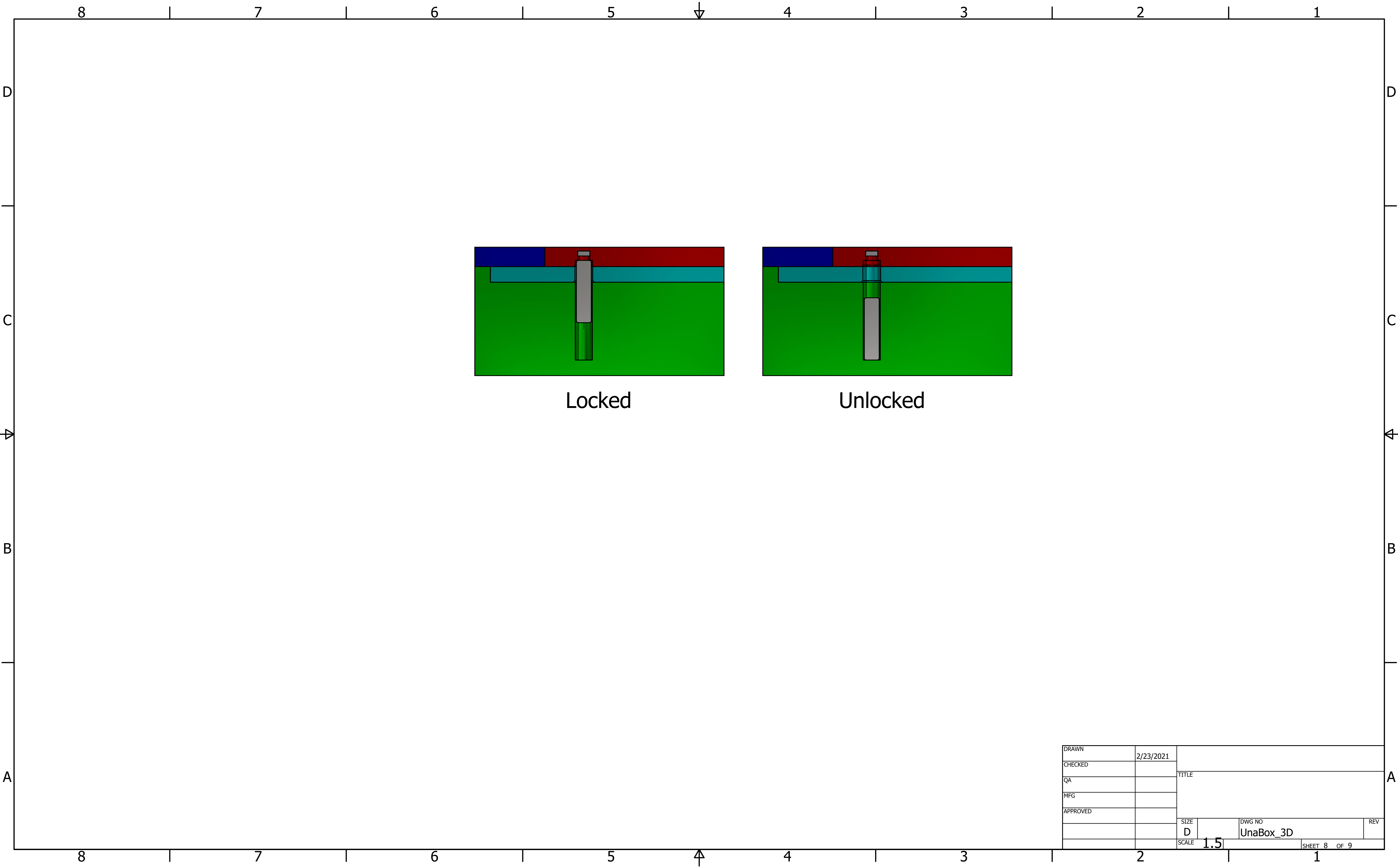
A

A



DRAWN	2/23/2021			
CHECKED		TITLE		
QA				
MFG				
APPROVED				
		SIZE	DWG NO	REV
		D	UnaBox_3D	
		SCALE	1.5	SHEET 7 OF 9

8 7 6 5 4 4 3 2 1



Locked

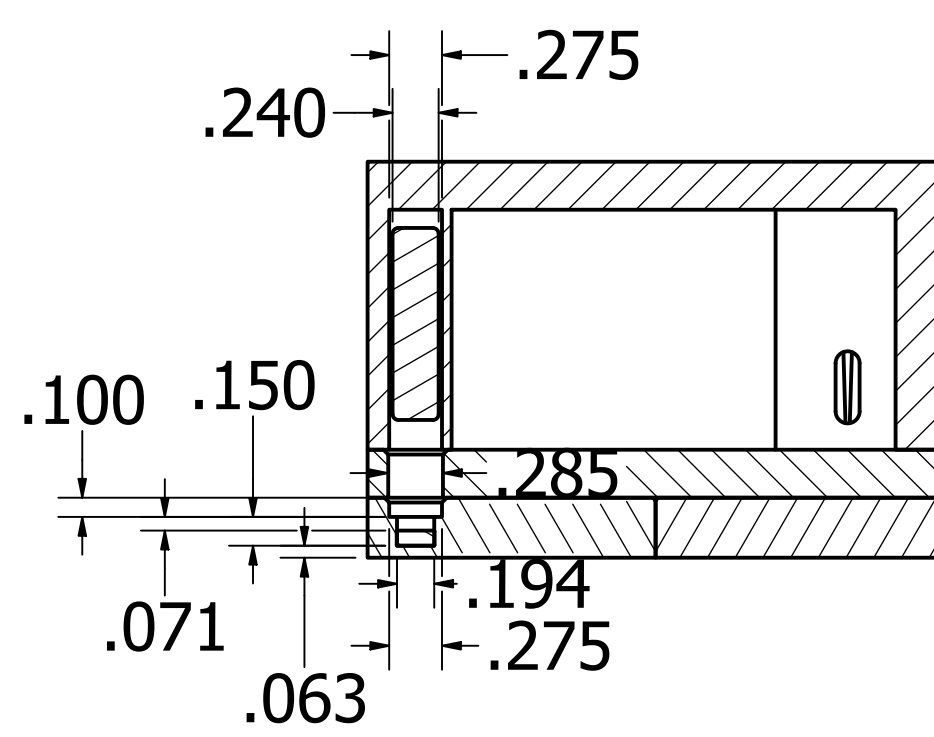
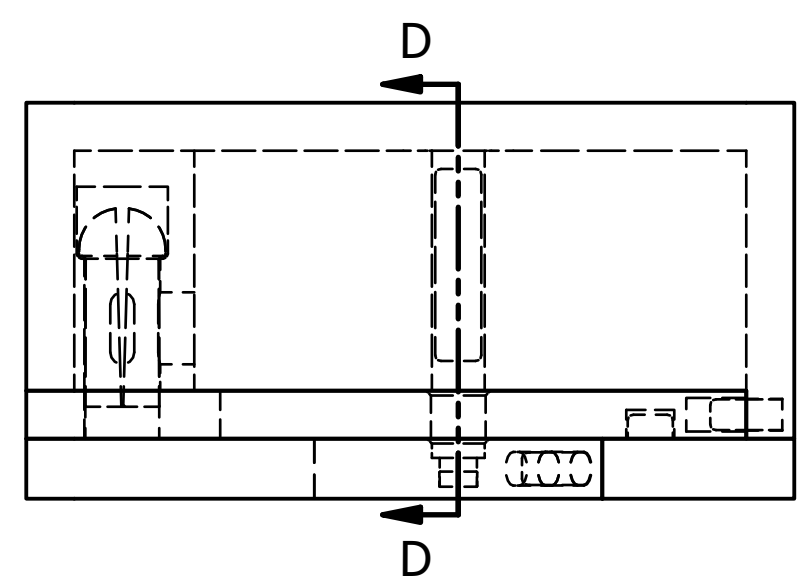
Unlocked

DRAWN	2/23/2021			
CHECKED		TITLE		
QA				
MFG				
APPROVED				
		SIZE	DWG NO	REV
		D	UnaBox_3D	
		SCALE	1.5	SHEET 8 OF 9

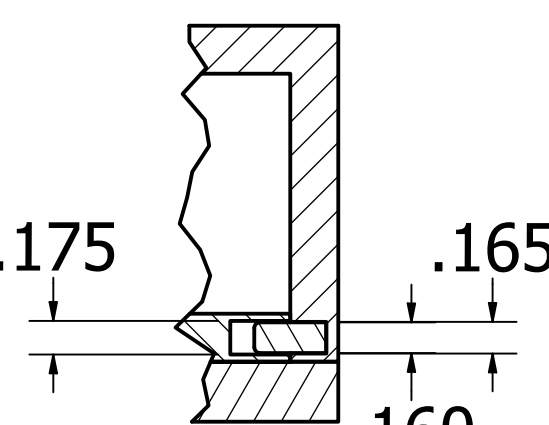
8 7 6 5 4 3 2 1

D

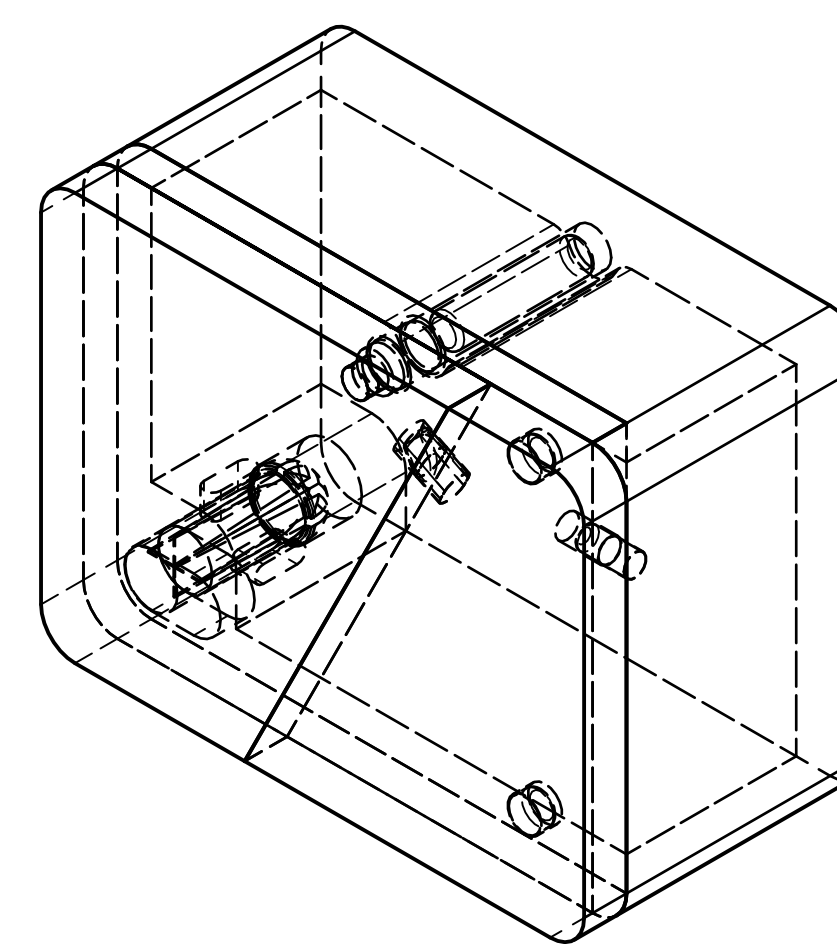
D



SECTION D-D
SCALE 1

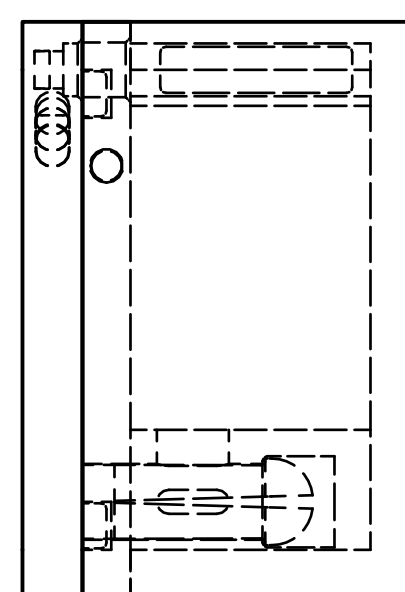
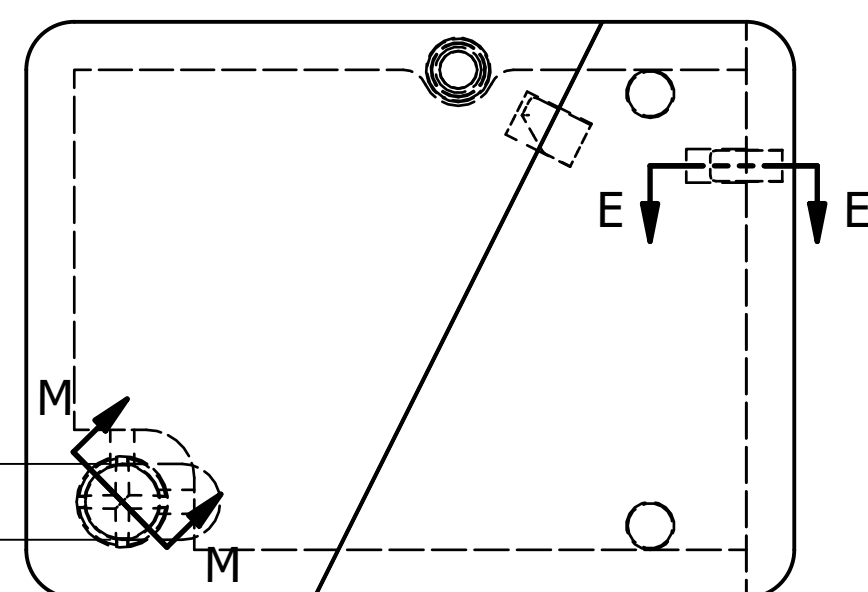


SECTION E-E
SCALE 1

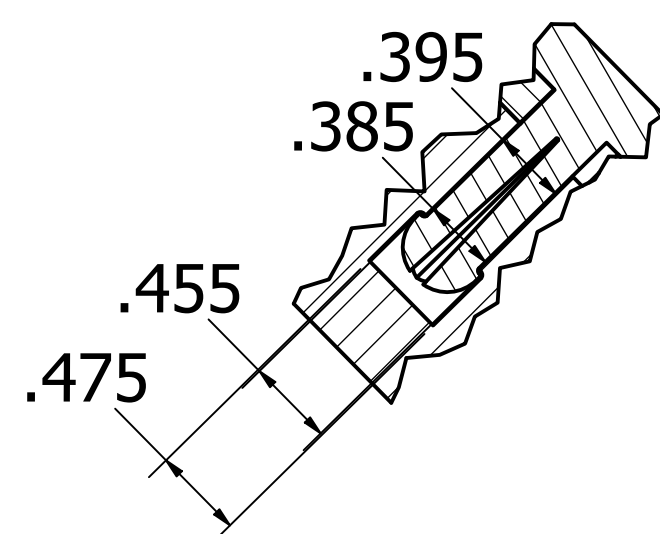


C

C



.395



SECTION M-M
SCALE 1

B

B

A

A

DRAWN	2/23/2021	TITLE		
CHECKED		TITLE		
QA		TITLE		
MFG		TITLE		
APPROVED		TITLE		
		SIZE	DWG NO	REV
		D	UnaBox_3D	
		SCALE	1	SHEET 9 OF 9

8 7 6 5 4 3 2 1