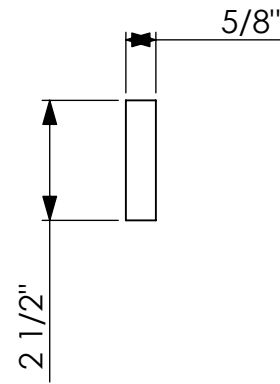
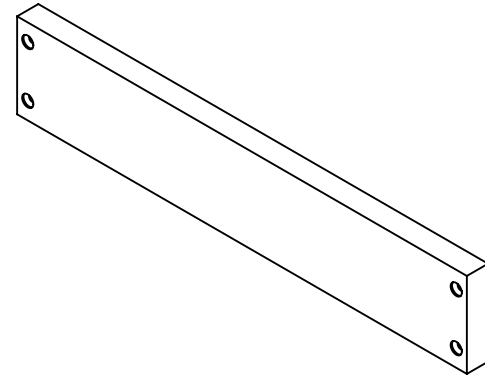
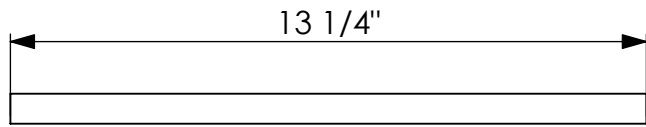
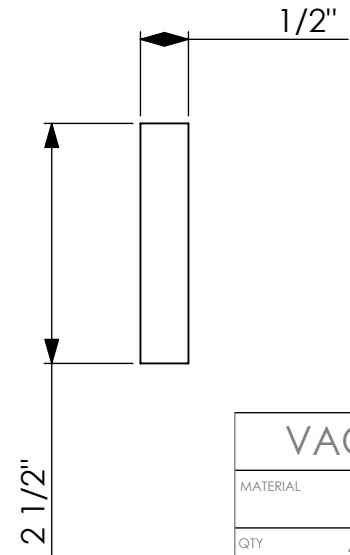
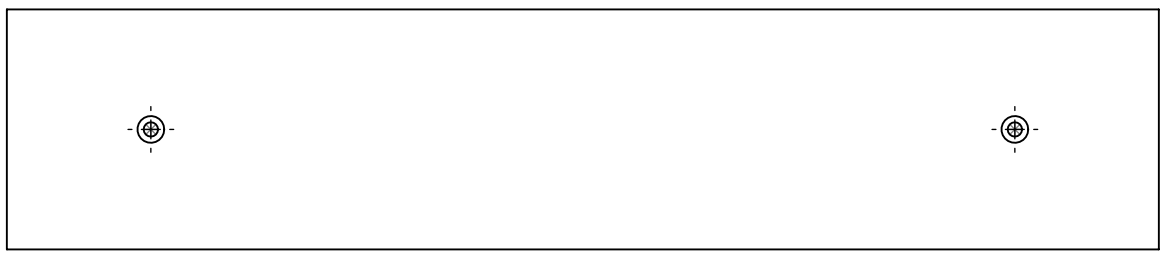
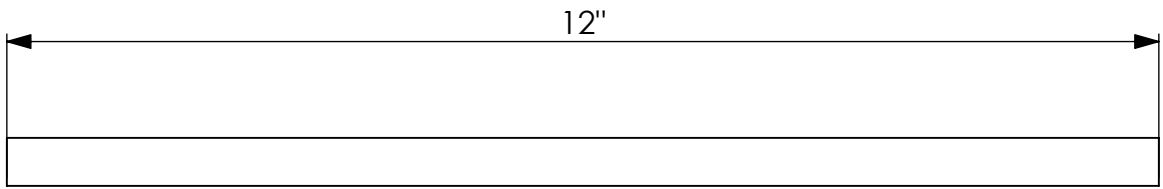
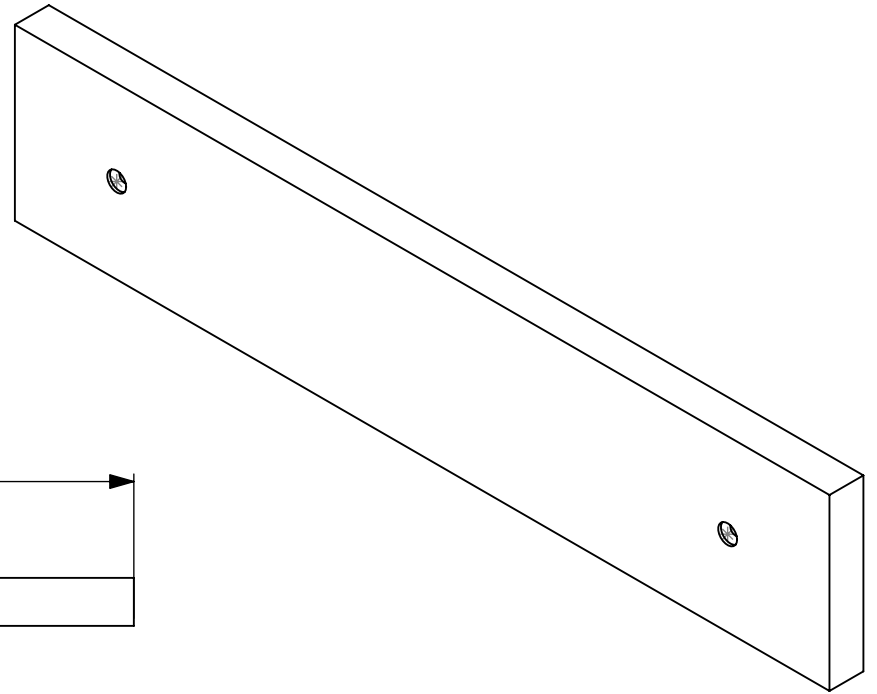


VACUUM FORMER

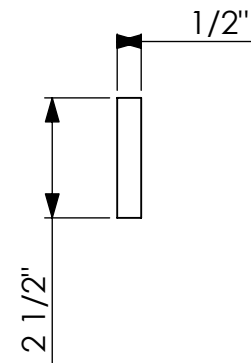
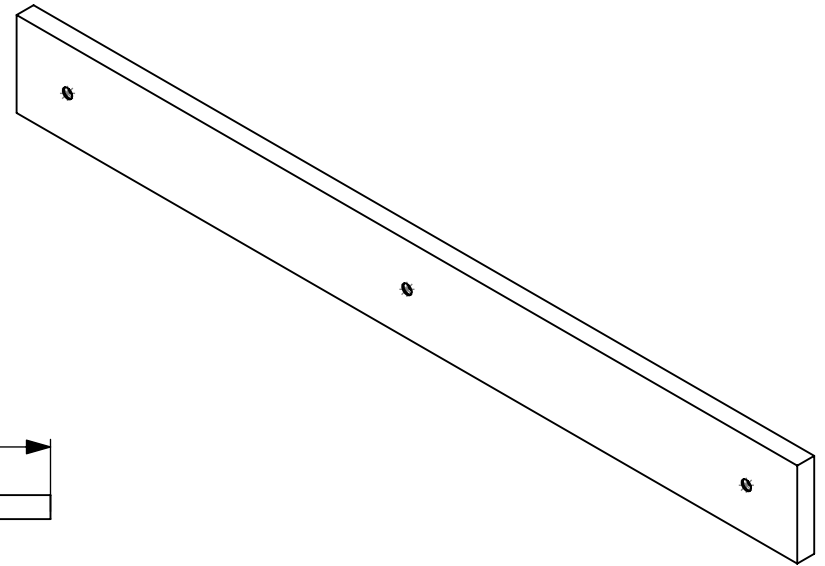
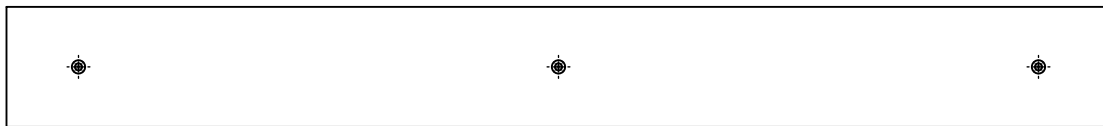
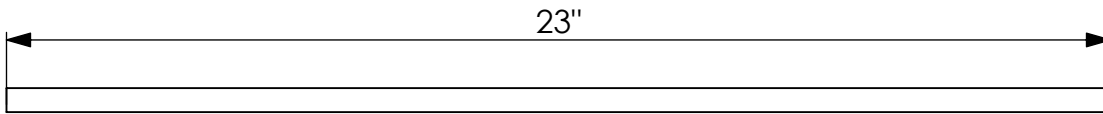
MATERIAL	1 X 3 WOOD		
QTY	2	DWG BY:	DC
DWG. NO.	VF-01	DATE	4/27/07
TOLERANCES: FRACTIONAL $\pm 1/16$	SCALE 1:4		



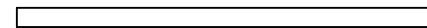
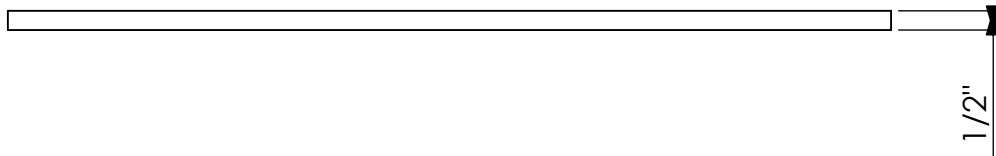
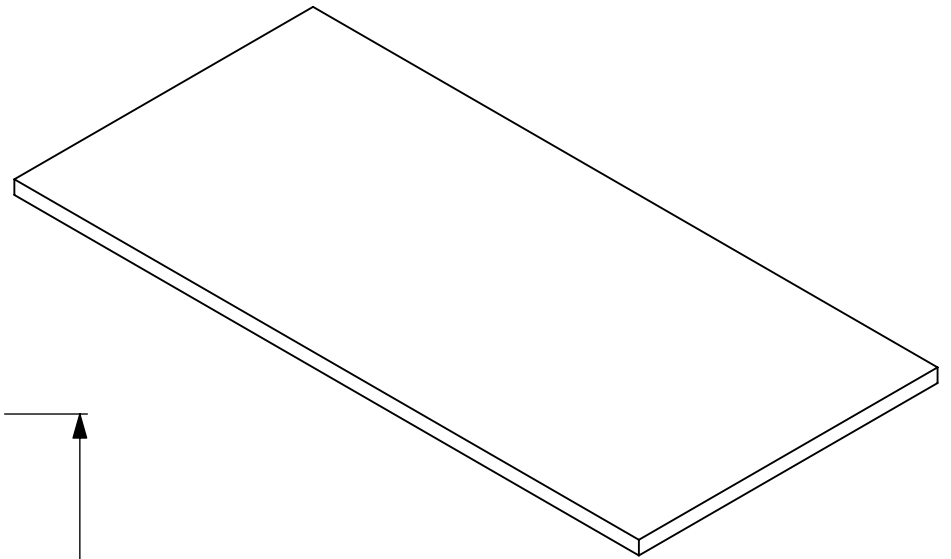
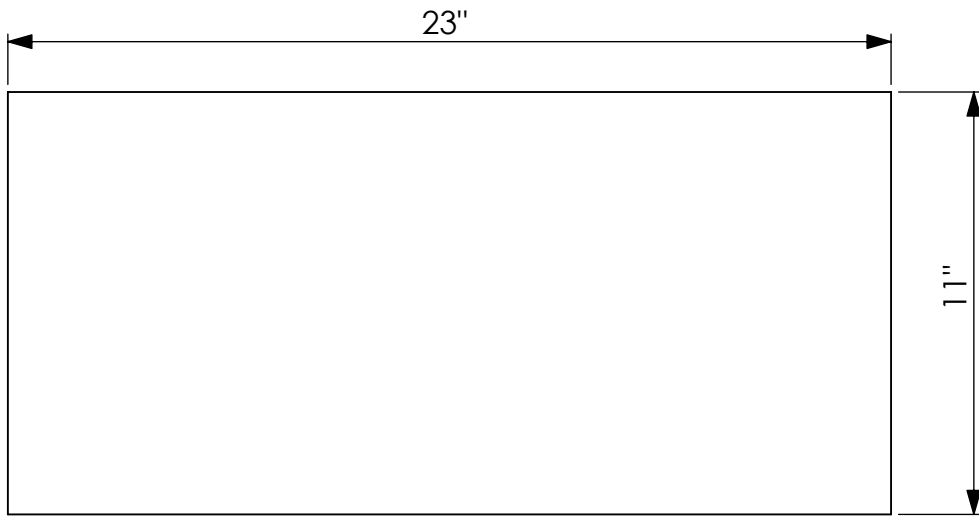
VACUUM FORMER			
MATERIAL	1 X 3 WOOD		
QTY	2	DWG BY:	DC
DWG. NO.	VF-02	DATE	5/18/07
TOLERANCES: FRACTIONAL ±1/16	SCALE		1:4



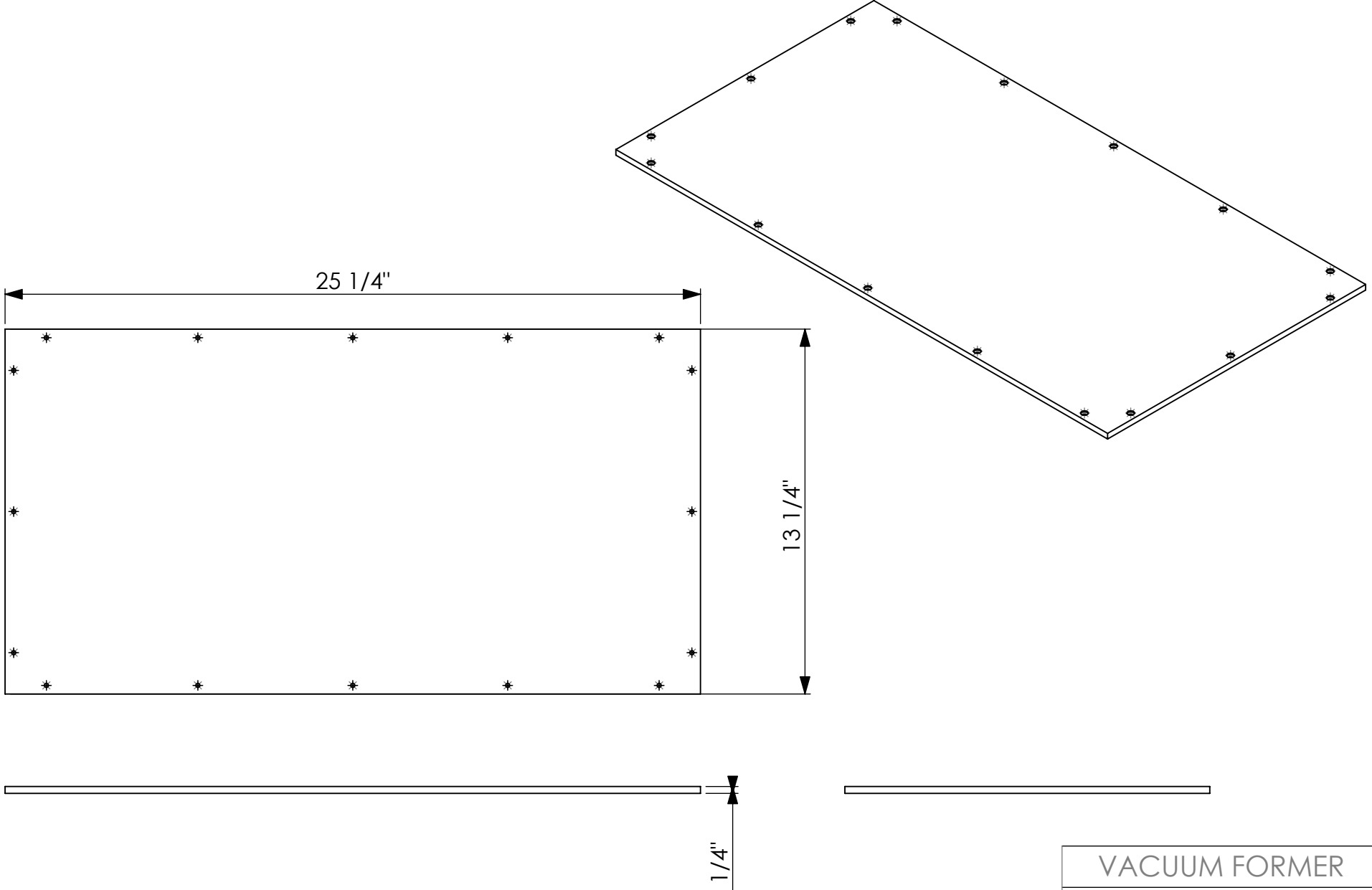
VACUUM FORMER			
MATERIAL	HARDIBACKER BOARD		
QTY	2	DWG BY:	DC
DWG. NO.	VF-03	DATE	5/18/07
TOLERANCES: FRACTIONAL	±1/16	SCALE	1:2



VACUUM FORMER			
MATERIAL	HARDIBACKER BOARD		
QTY	2	DWG BY:	DC
DWG. NO.	VF-04	DATE	5/18/07
TOLERANCES: FRACTIONAL $\pm 1/16$	SCALE		1:4

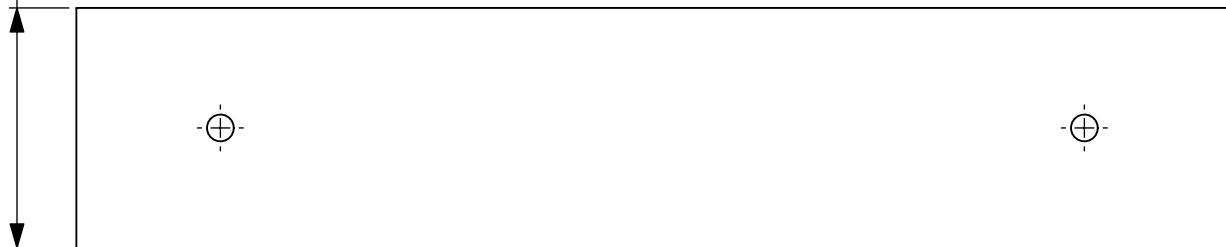


VACUUM FORMER			
MATERIAL		HARDIBACKER BOARD	
QTY	1	DWG BY:	DC
DWG. NO.	VF-05	DATE	5/18/07
TOLERANCES: FRACTIONAL $\pm 1/16$		SCALE	1:5



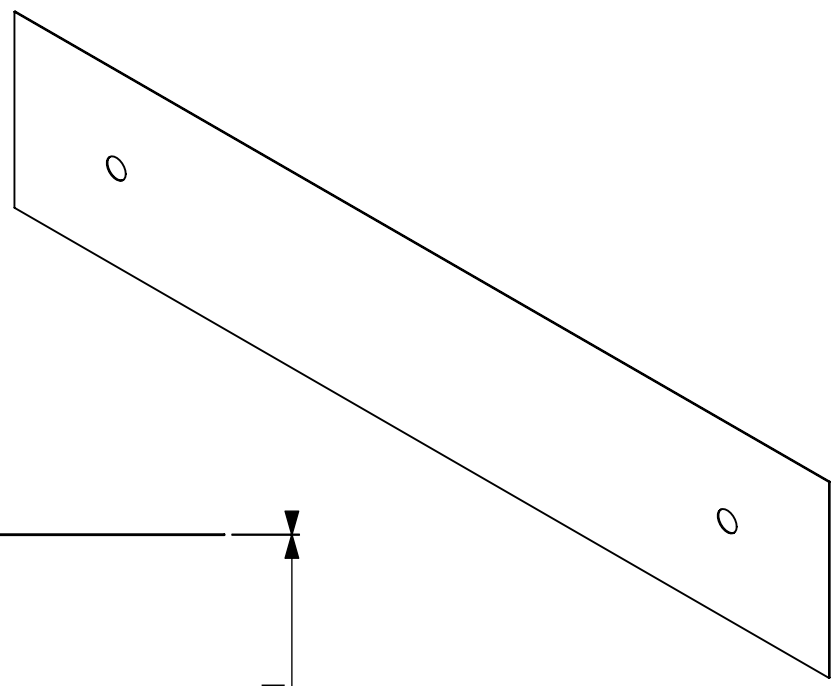
VACUUM FORMER			
MATERIAL		1/4" THICK PLYWOOD	
QTY	1	DWG BY:	DC
DWG. NO.	VF-06	DATE	5/18/07
TOLERANCES: FRACTIONAL $\pm 1/16$		SCALE	1:5

2 1/2"



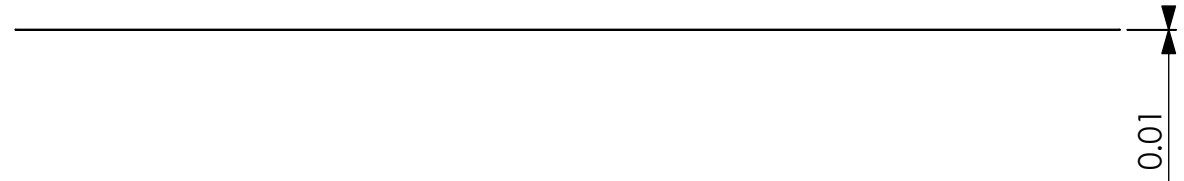
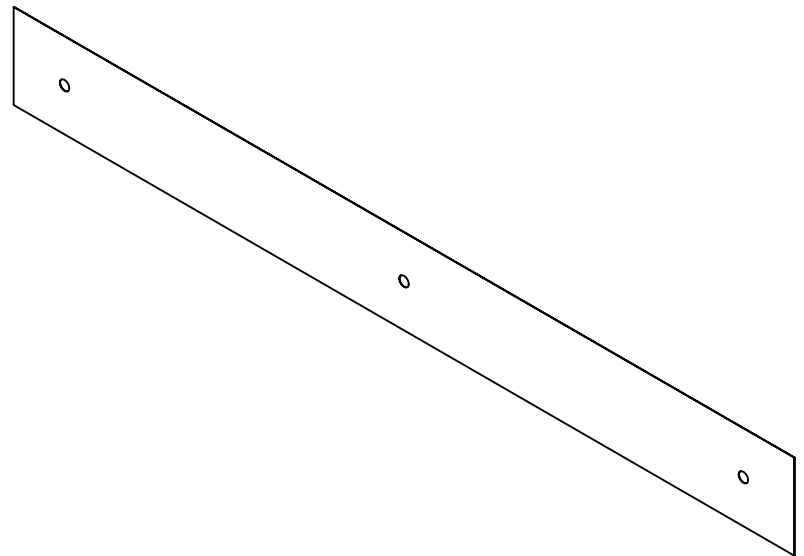
12"

0.01

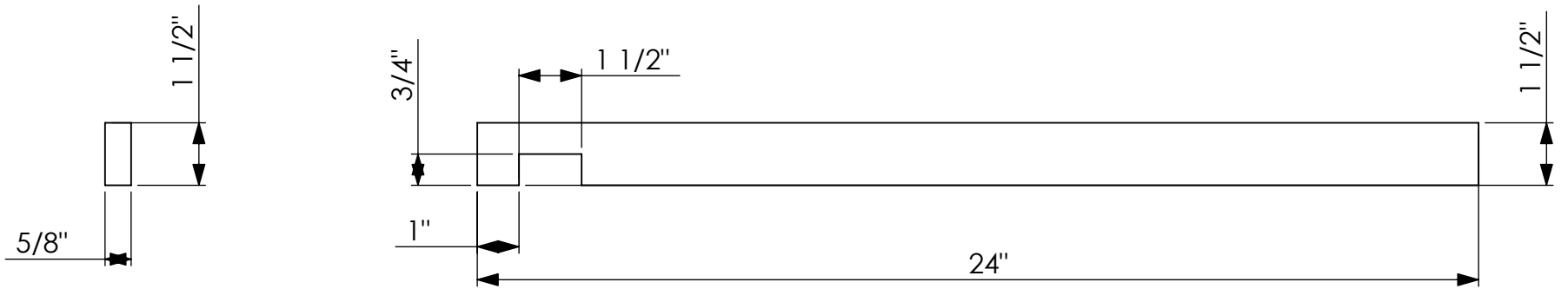
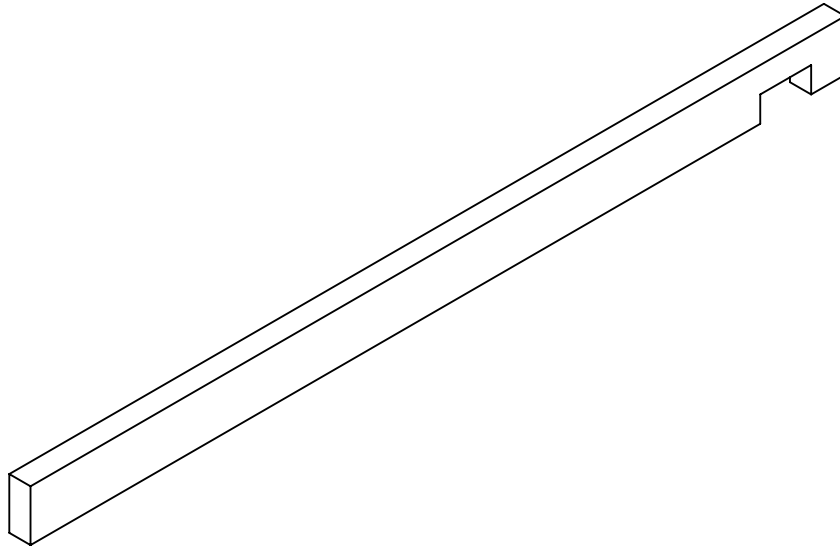


VACUUM FORMER

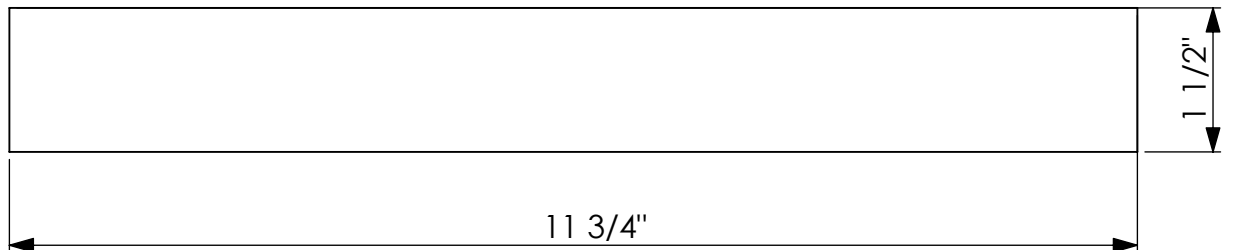
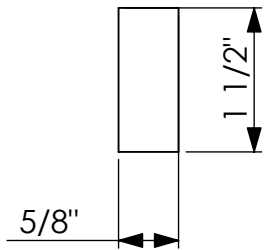
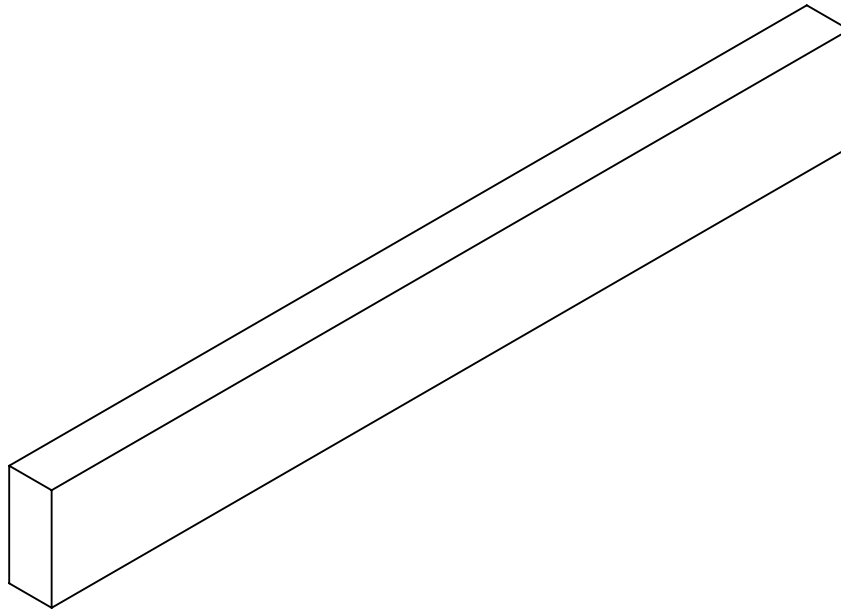
MATERIAL	ALUMINUM FLASHING		
QTY	2	DWG BY:	DC
DWG. NO.	VF-07	DATE	5/18/07
TOLERANCES: FRACTIONAL ±1/16	SCALE 1:2		



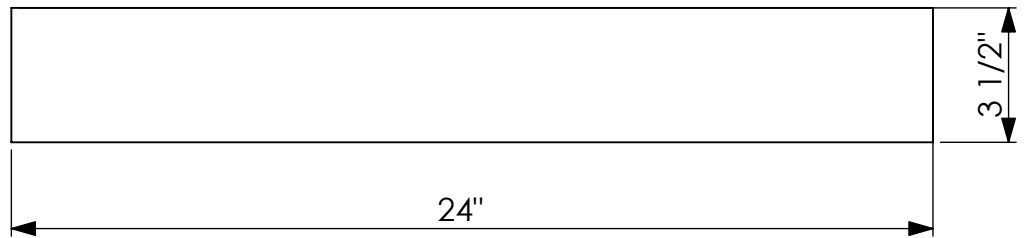
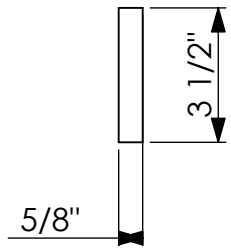
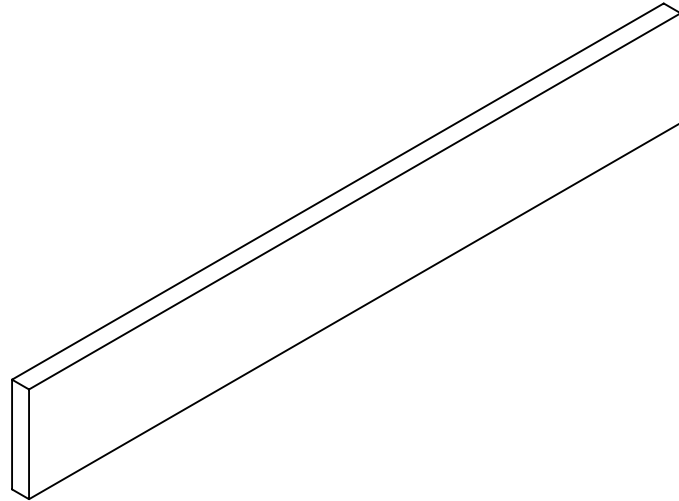
VACUUM FORMER			
MATERIAL	ALUMINUM FLASHING		
QTY	2	DWG BY:	DC
DWG. NO.	VF-08	DATE	5/18/07
TOLERANCES: FRACTIONAL $\pm 1/16$	SCALE		1:4



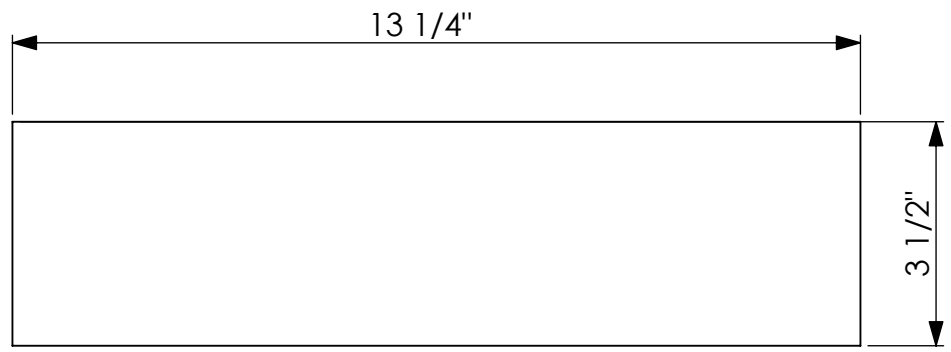
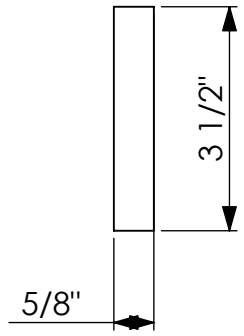
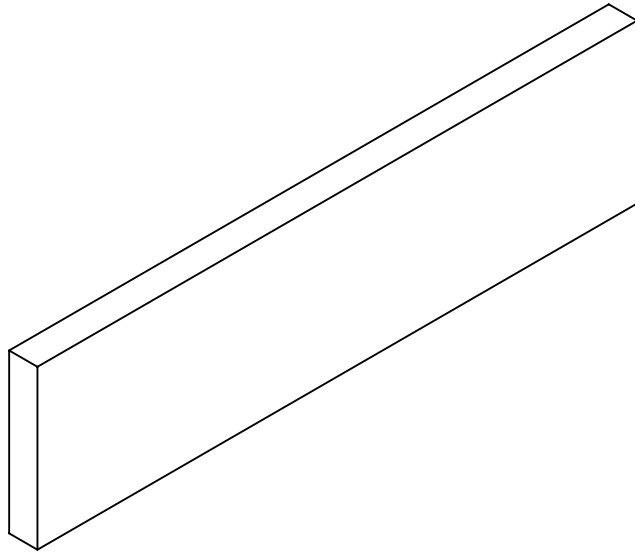
VACUUM FORMER	
MATERIAL	--
QTY	--
DWG. NO.	--
TOLERANCES: FRACTIONAL $\pm 1/16$	SCALE
DWG BY:	--
DATE	--
SCALE	--



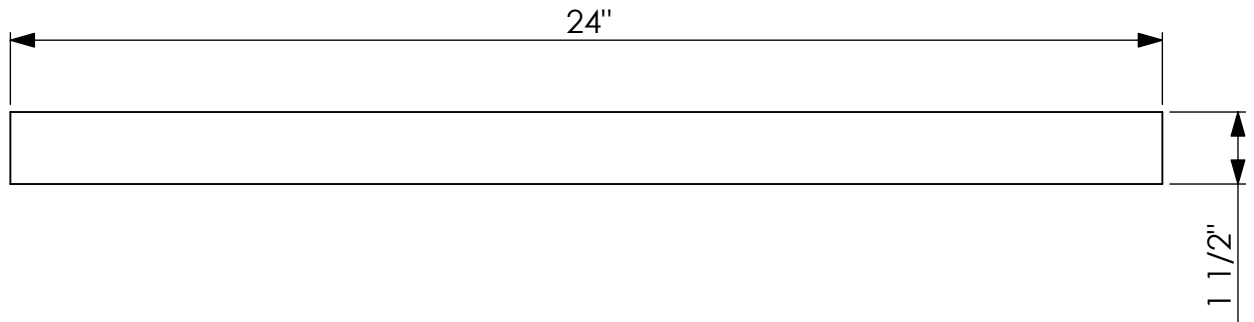
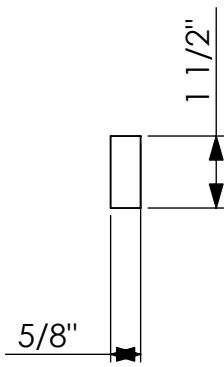
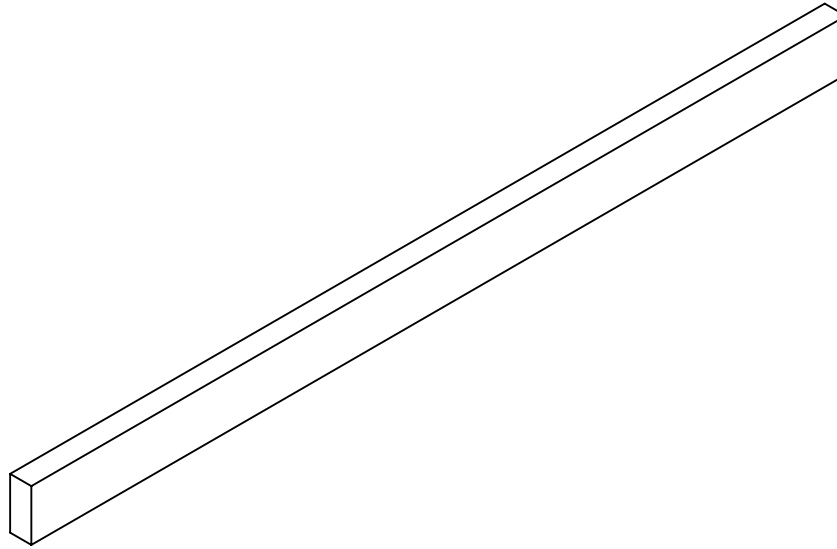
VACUUM FORMER			
MATERIAL	1x2 Wood		
QTY	2	DWG BY:	DC
DWG. NO.	VF-10	DATE	12/31/07
TOLERANCES: FRACTIONAL ±1/16	SCALE		--



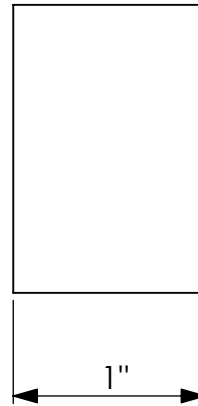
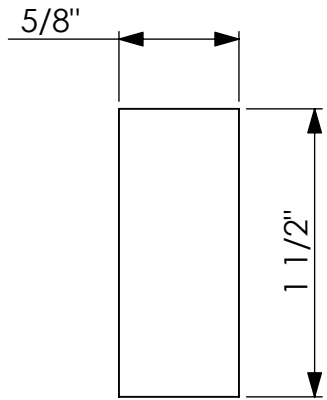
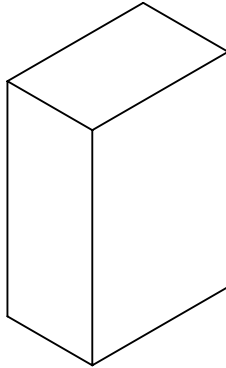
VACUUM FORMER			
MATERIAL	1x4 Wood		
QTY	2	DWG BY:	DC
DWG. NO.	VF-11	DATE	12/31/07
TOLERANCES: FRACTIONAL $\pm 1/16$	SCALE		1:5



VACUUM FORMER			
MATERIAL	1x4 Wood		
QTY	2	DWG BY:	DC
DWG. NO.	VF-12	DATE	12/31/07
TOLERANCES: FRACTIONAL ±1/16	SCALE		1:3



VACUUM FORMER			
MATERIAL	1x2 Wood		
QTY	2	DWG BY:	DC
DWG. NO.	VF-13	DATE	12/31/07
TOLERANCES: FRACTIONAL ±1/16	SCALE		--



VACUUM FORMER			
MATERIAL	1x2 Wood		
QTY	2	DWG BY:	DC
DWG. NO.	VF-14	DATE	12/31/07
TOLERANCES: FRACTIONAL $\pm 1/16$	SCALE		1:1