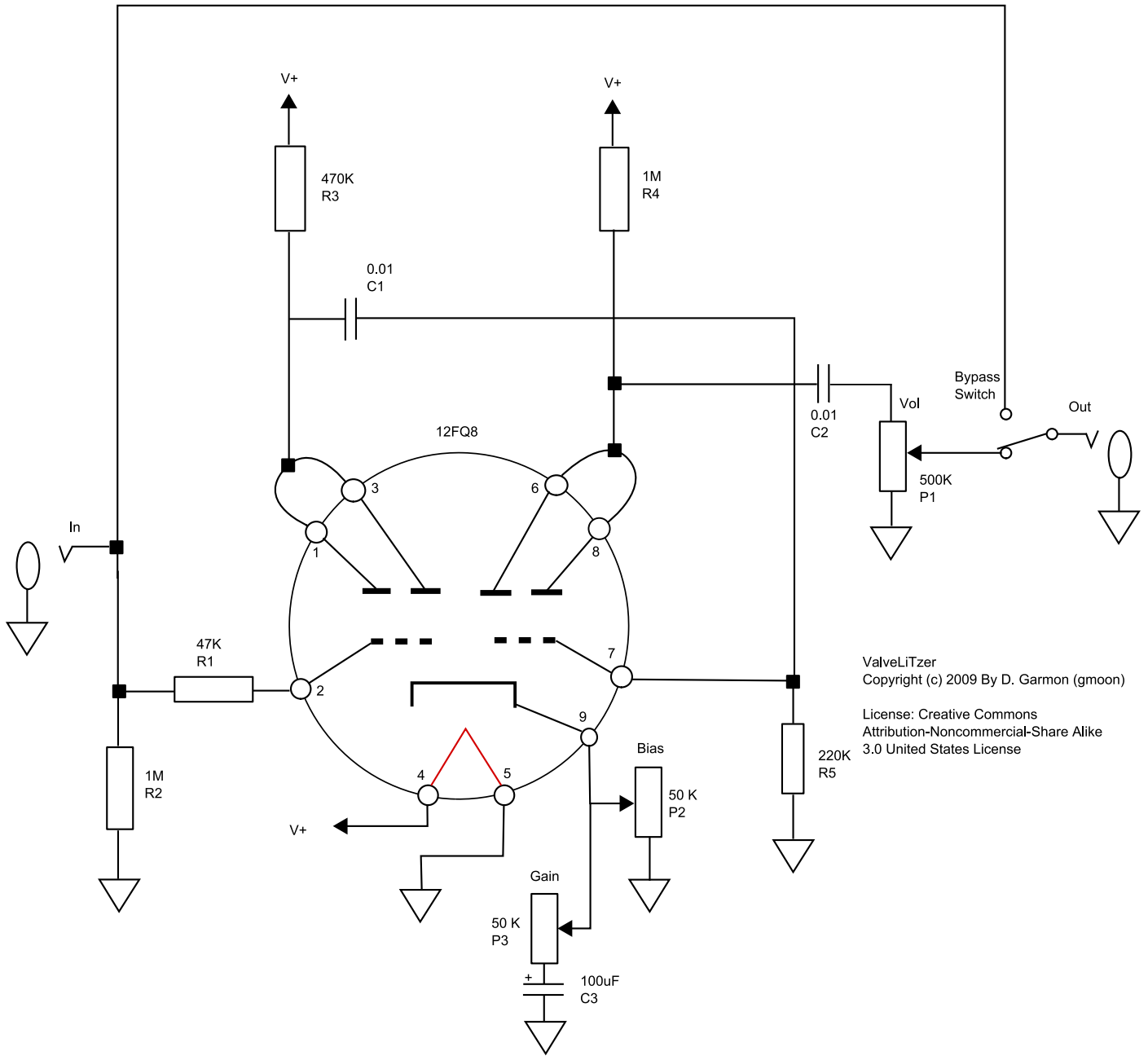


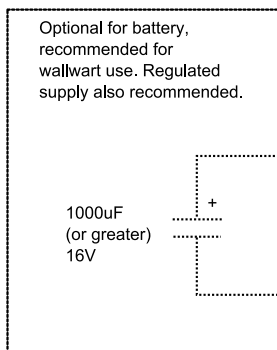
# The ValveLiTzer V0.4

Schematic



ValveLiTzer  
Copyright (c) 2009 By D. Garmon (gmoon)

License: Creative Commons  
Attribution-Noncommercial-Share Alike  
3.0 United States License



V+ (9 - 13V DC)

This tube may be run at higher voltages, but doing so requires a separate voltage for the filament (pins 4 & 5.)