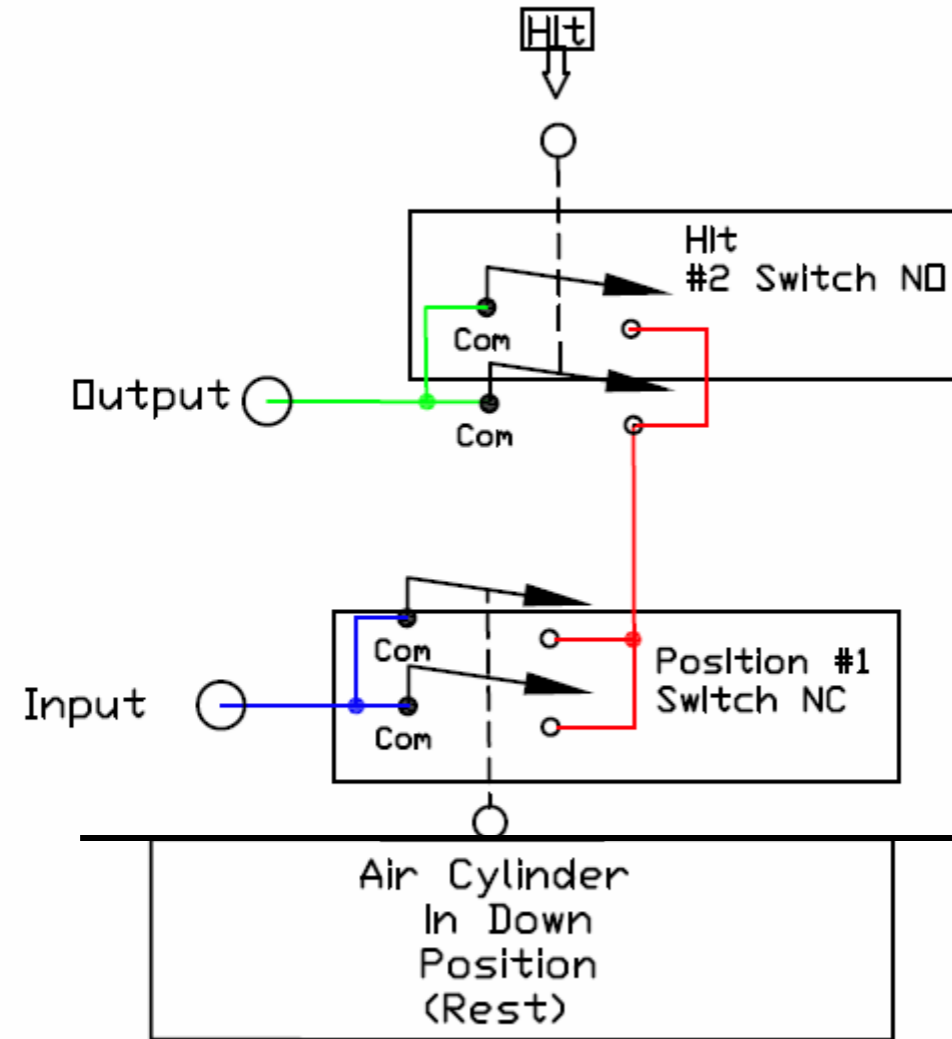
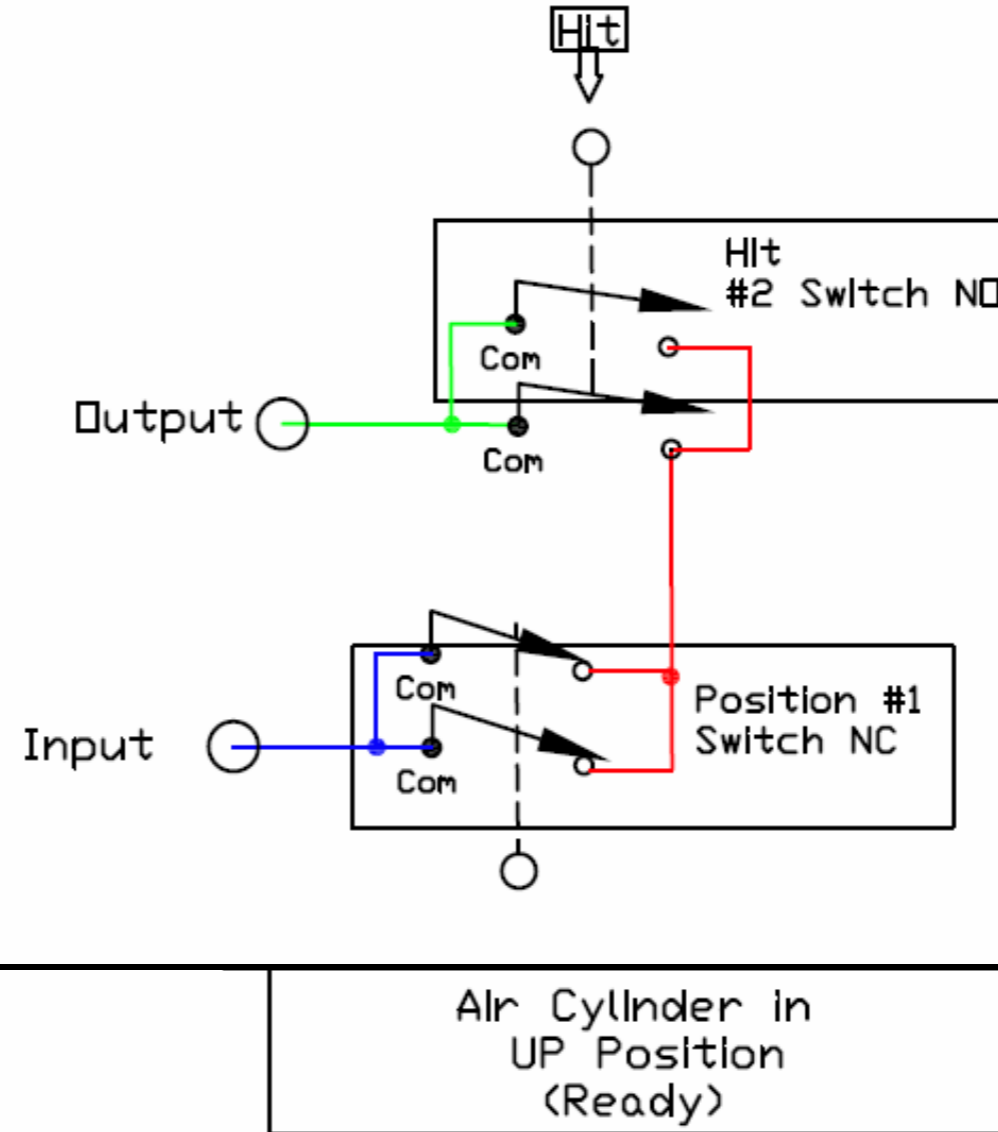


### Veggie in Down Position



### Veggie in Up Position



**Veggie Switches Truth Table**

Actions	Hit	Switch #1	Switch #2	Output
Down	No	Open	Don't care	None
Down	Yes	Open	Don't care	None
Up	No	Closed	Open	None
Up	Yes	Closed	Closed	Yes