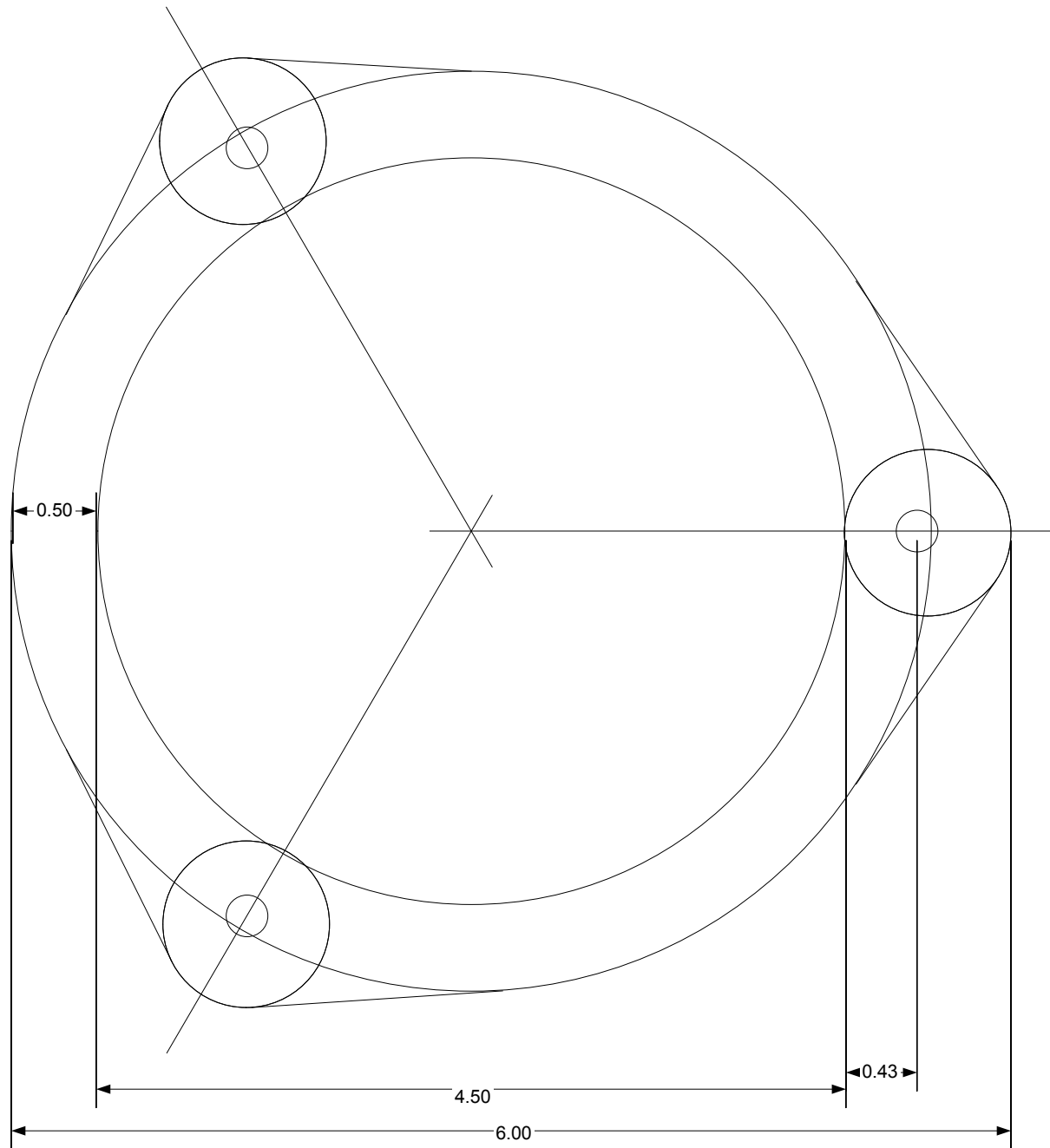


Template 4 inch face plate and backing ring
3-bolt configuration



Remove center area
for backing ring.
Leave center area
for end plate