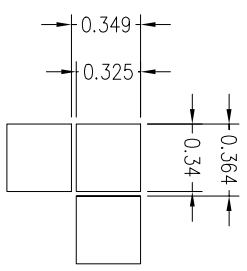
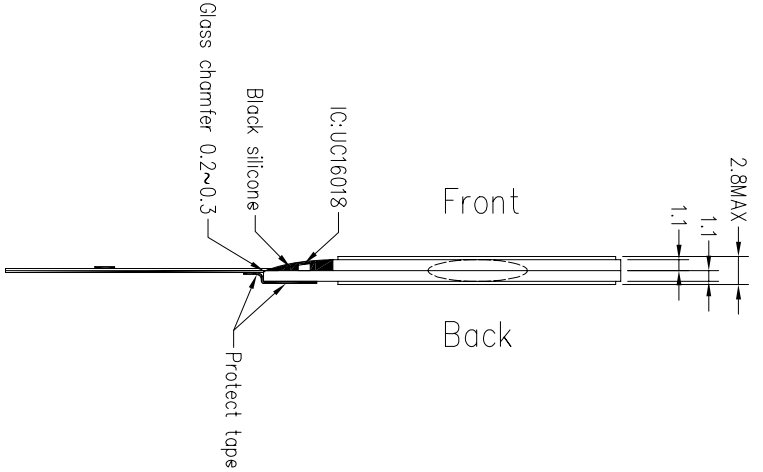
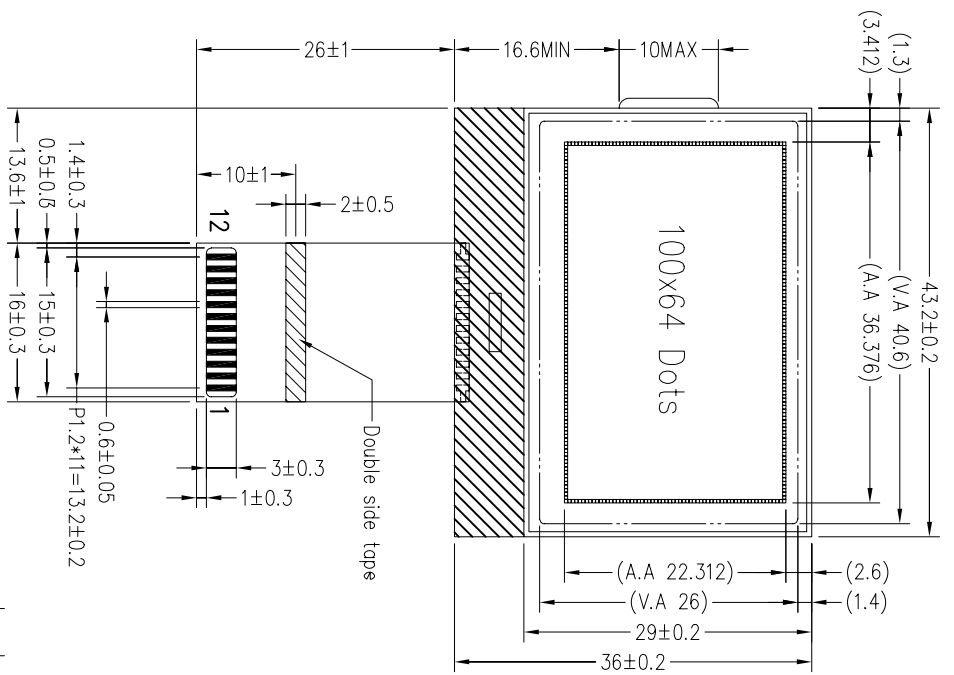


REV	REVISION RECORD	APPROVED
A	First Issue	



DOT SIZE
SCALE 20:1

PIN	1	2	3	4	5	6
CONNECTION	CSO	RST	CD	SCK	SDA	VDD
PIN	7	8	9	10	11	12
CONNECTION	VSS	VB1+	VB1-	VB0-	VB0+	VLCD

- NOTES:
1. Display type: STN/Grey
 2. Viewing direction: 6° OFF CLOCK
 3. Drive method: 1/65DUTY 1/9BIAS
 4. Polarizer mode: Reflective/Positive
 5. LCD drive voltage: 9.0V
 6. Operation temperature: -0°C~+50°C
 7. Storage temperature: -10°C~+60°C
 8. Driver/Controller IC: UC1601S
 9. Logic power supply voltage: 3.0V
 10. Backlight : Without
 11. ROHS must be complied

General	Tolerance ±			
0.1~0.25	1	2	3	4
0.25~0.5	0.05	0.1	0.1	0.2
0.5~1.0	0.05	0.1	0.1	0.2
1.0~3.0	0.05	0.1	0.2	0.3
3.0~10.0	0.1	0.2	0.3	0.5
10.0~30.0	0.1	0.2	0.5	0.8
30.0~100.0	0.1	0.2	0.5	0.8



SCALE	1/1	UNIT	mm
APPROVED	CHECKED	DRAWN	
VERSION	A	DATE	2008.04.05
MODEL NAME:	WY1006A3SHN1G		
TITLE:	Outline		
FILE NAME:			