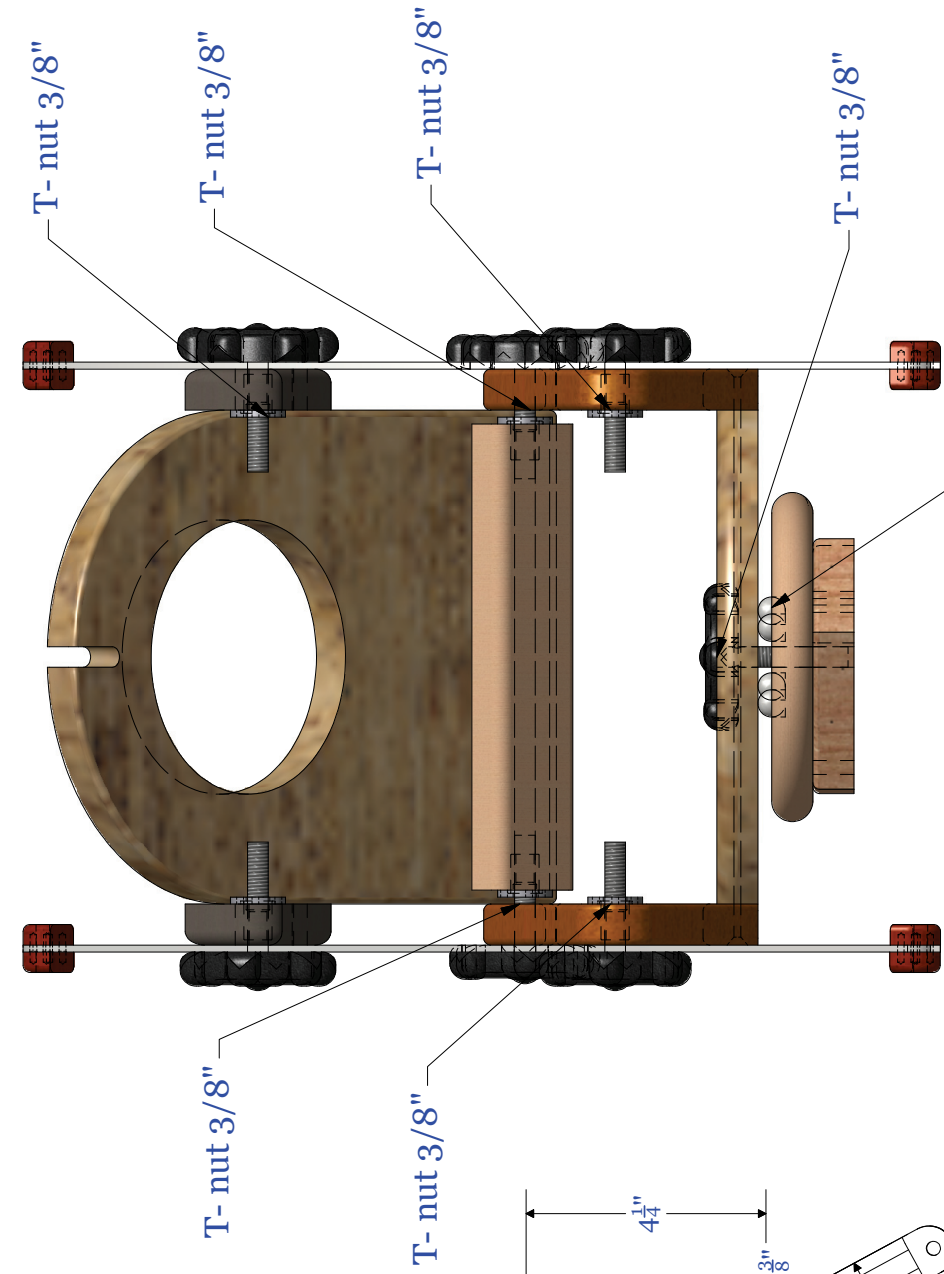
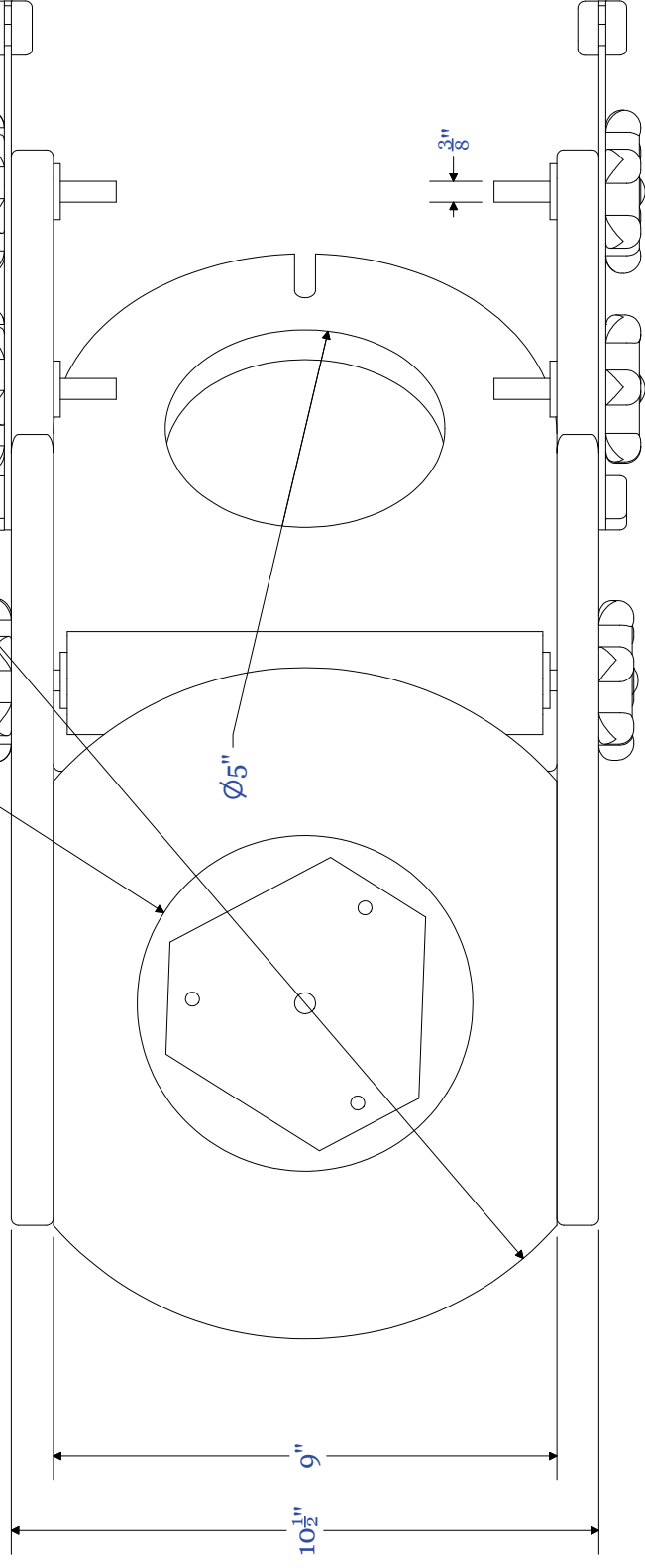


VIEW1  
SCALE 1 / 3.4



VIEW2  
SCALE 1 / 3.5

These are nylon ball bearings. 1/2" diameter.  
They do not need to rotate in the predrilled holes.



VIEW3  
SCALE 1 / 3.4

DRAWN  
BILLS  
CHECKED

2/16/2015

QA  
MFG  
APPROVED

TITLE

# Telescope Wedge

SIZE

B

SCALE

DWG NO

Wedge updated

REV

1