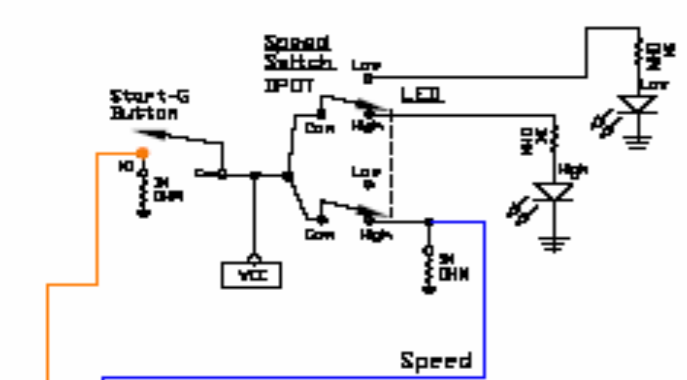
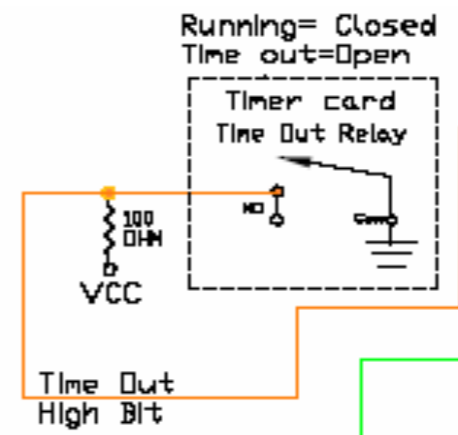
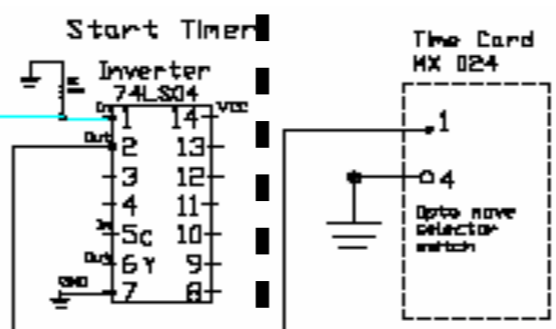


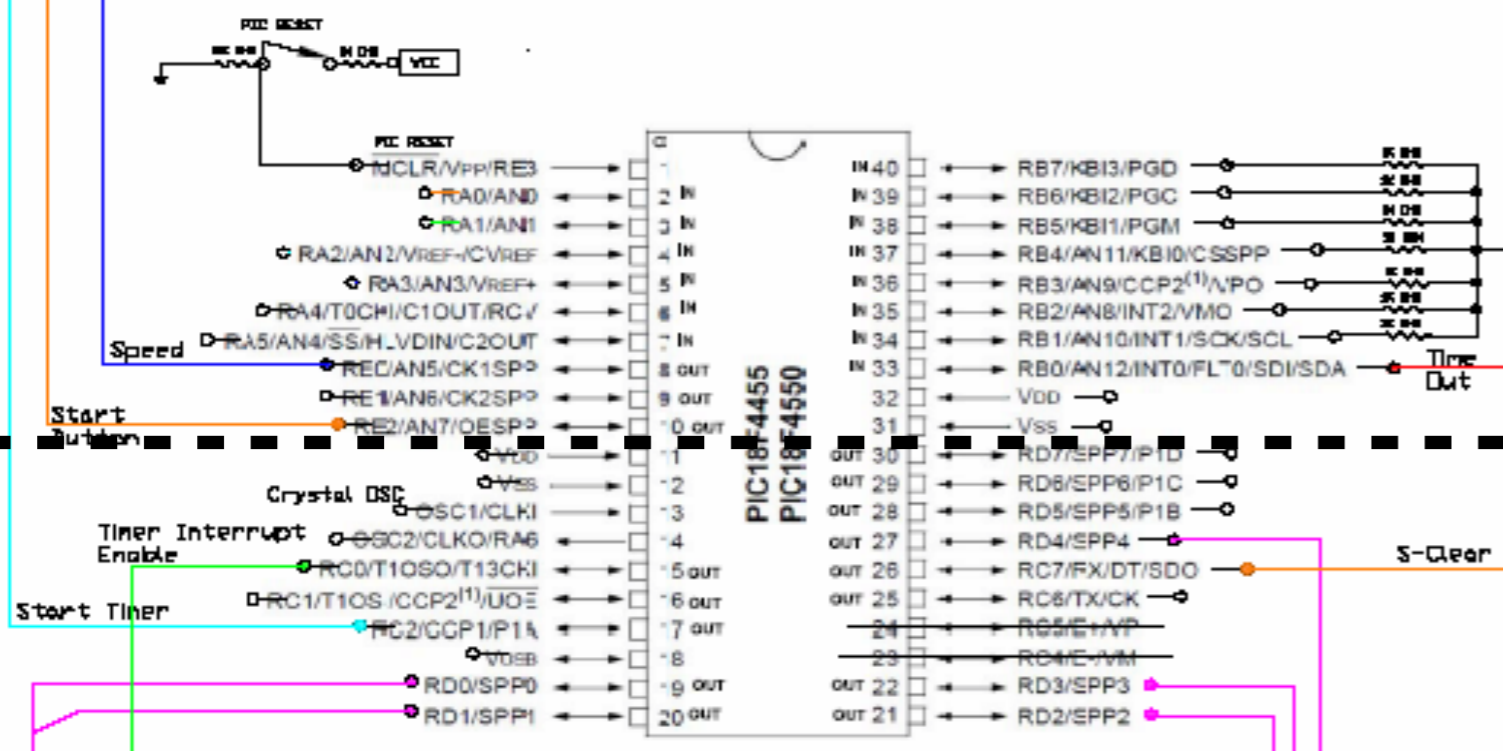
NOTE: This Diagram inside dotted lines is duplicated 5 times. One for each Veggie Characters PIC outputs Part I for five bits RD0, RD1, RD2, RD3, and RD4.



Page # 3



Page # 5

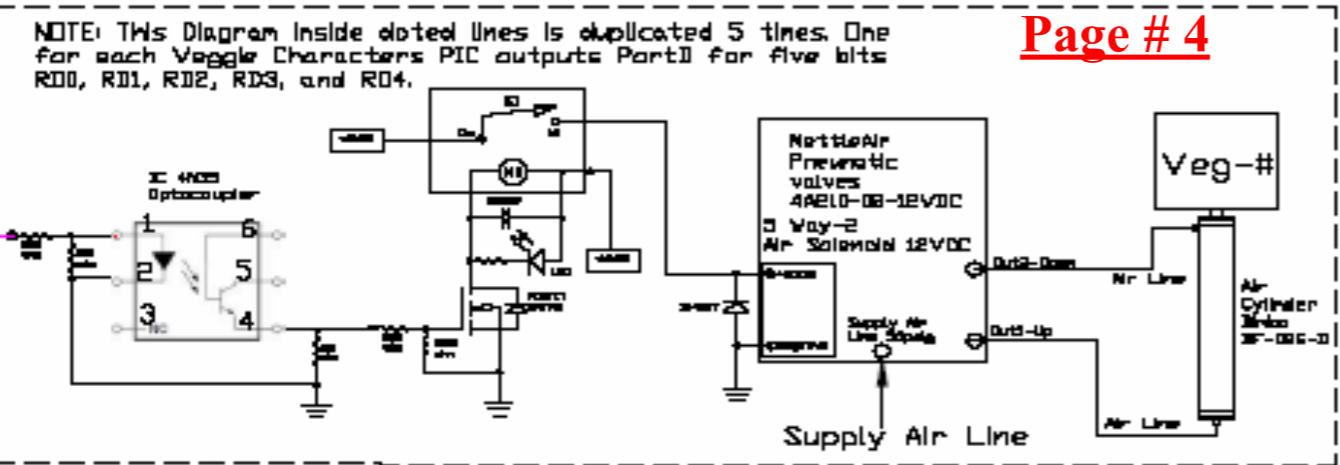
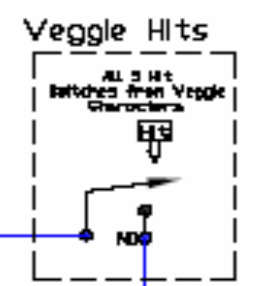


Interrupt

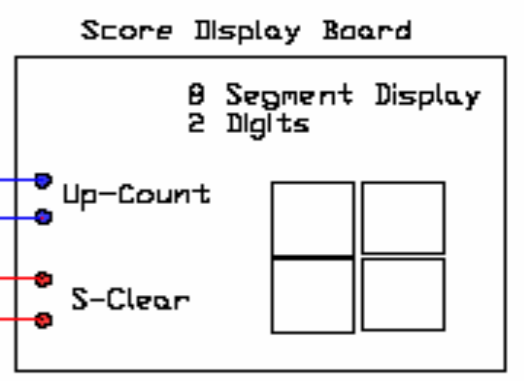
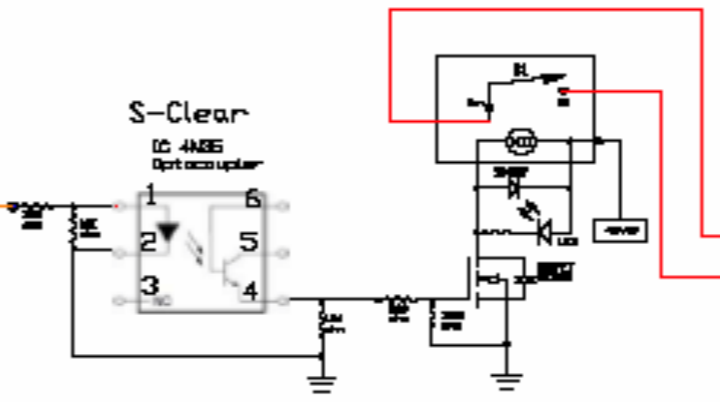
S-Clear

Timer Interrupt Enable

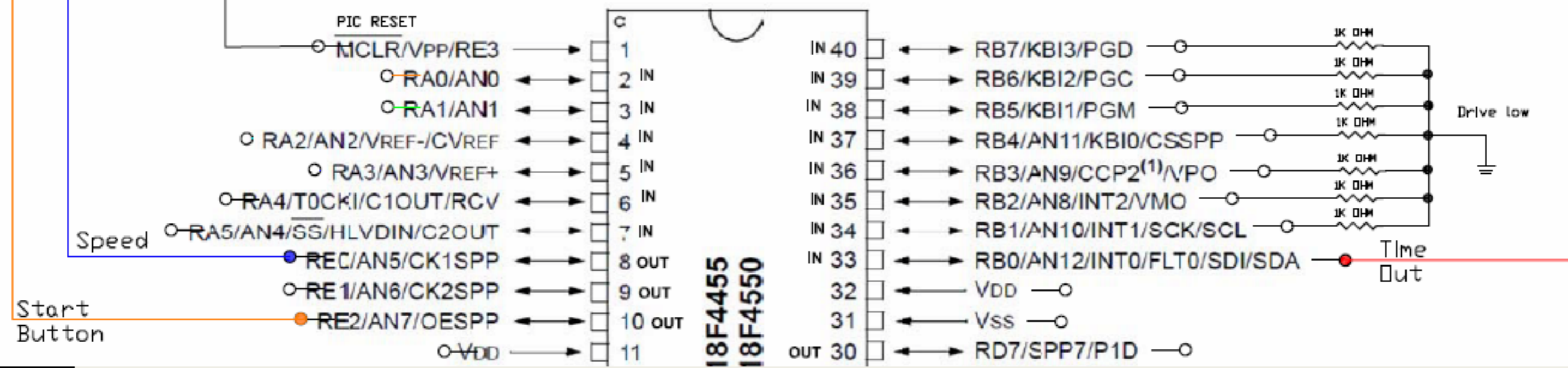
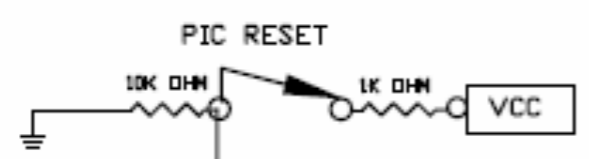
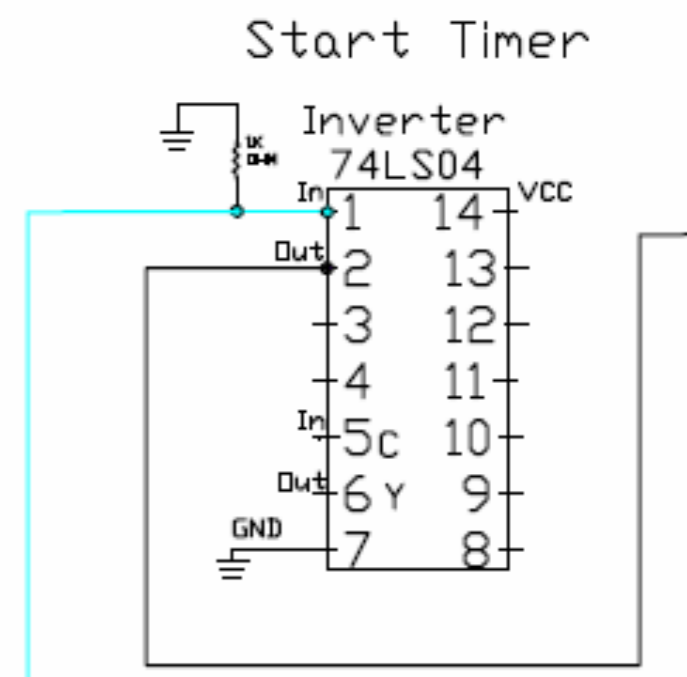
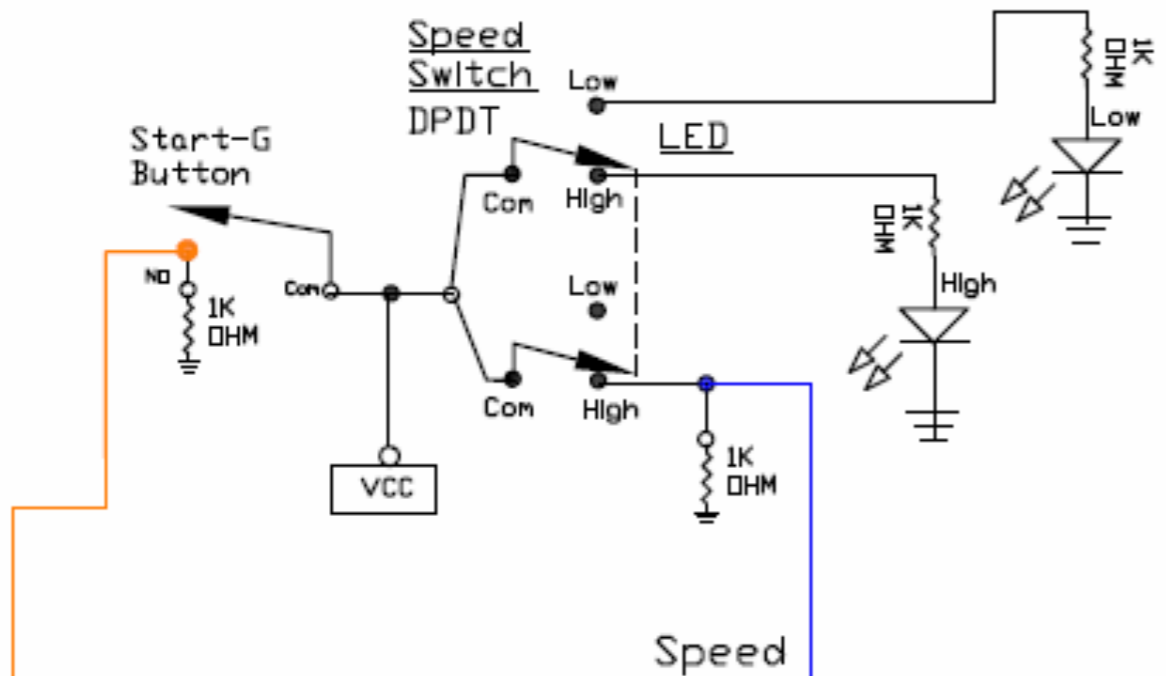
Page # 6



Page # 4



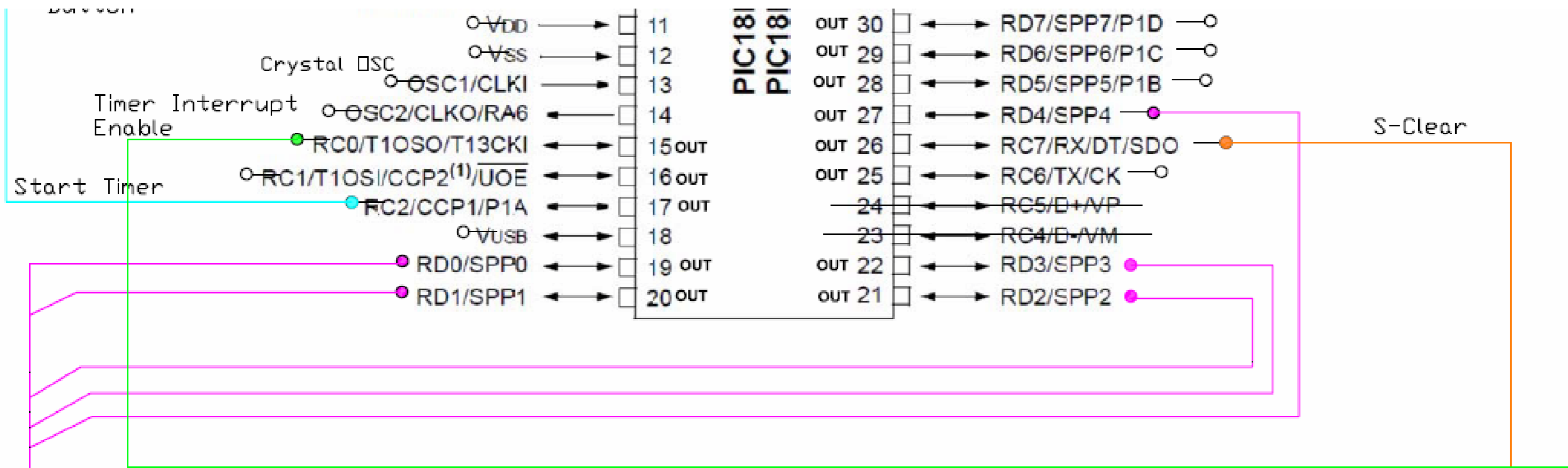
M.McC 10- 2010



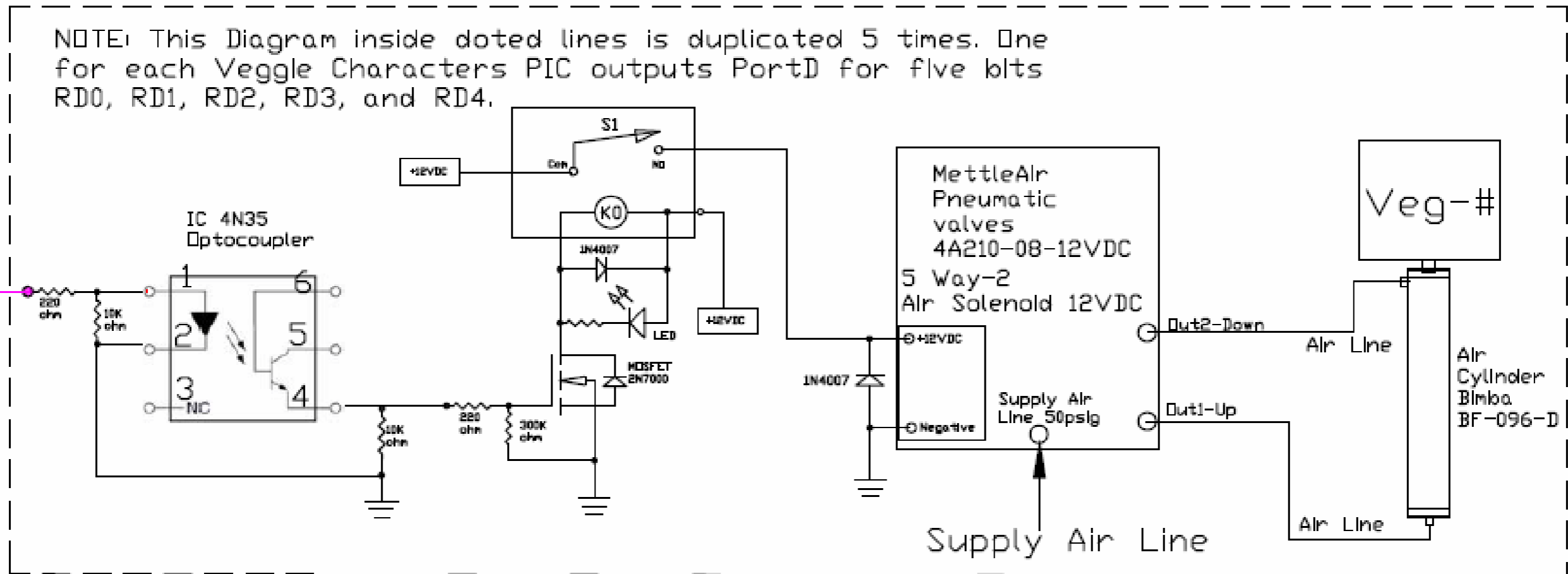
Start Timer

Start Timer

Time Out

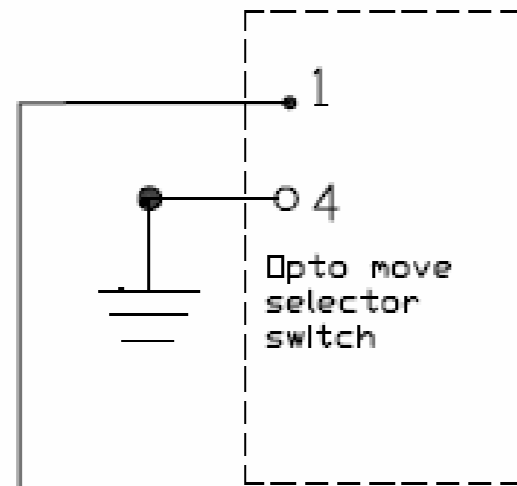
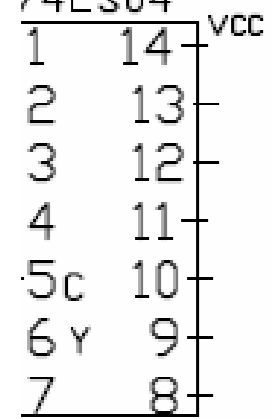


NOTE: This Diagram inside dotted lines is duplicated 5 times. One for each Veggie Characters PIC outputs PortD for five bits RD0, RD1, RD2, RD3, and RD4.

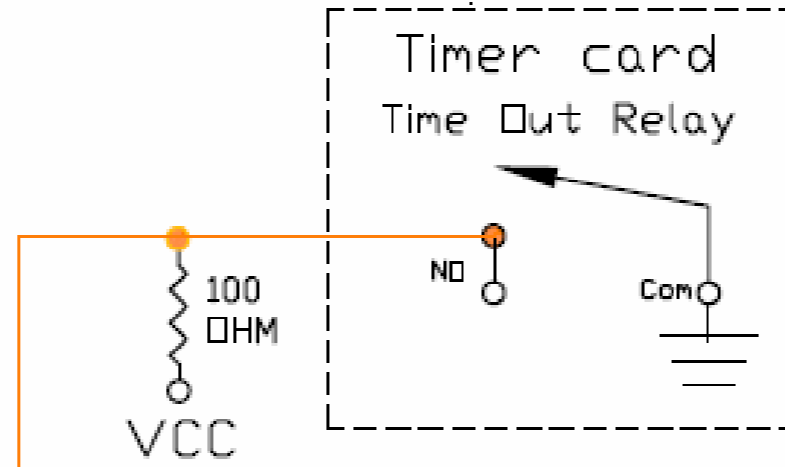


Timer

Inverter
74LS04

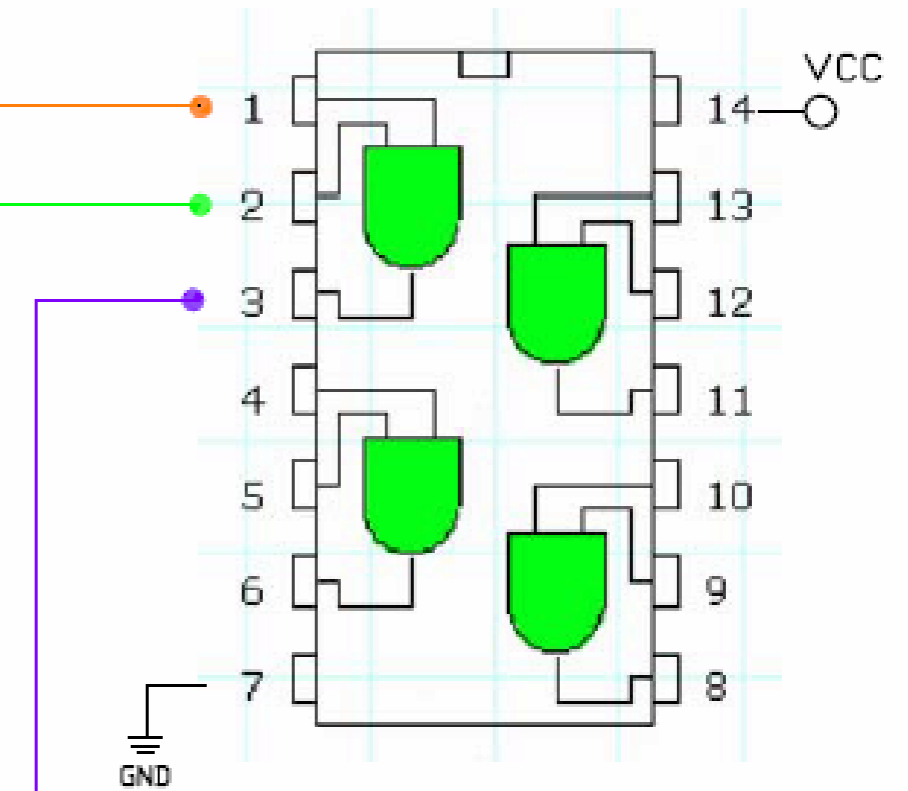


Running = Closed
Time out = Open

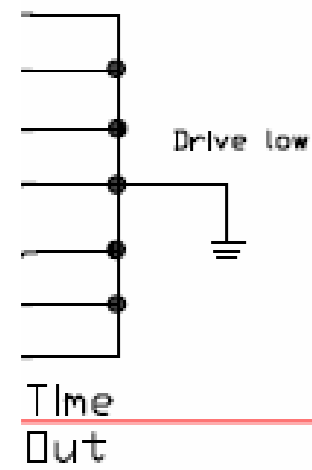
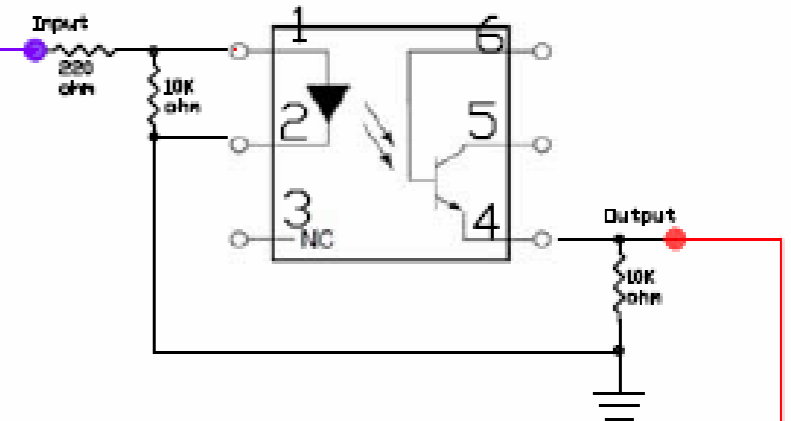


Time Out
High Bit

Timer Interrupt Gate
74LS08 AND



IC 4N35
Optocoupler

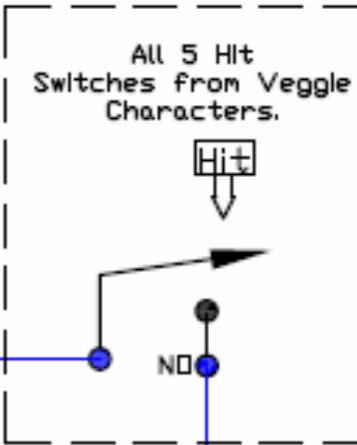


Interrupt

-Clear

Timer Interrupt Enable

Veggie Hits

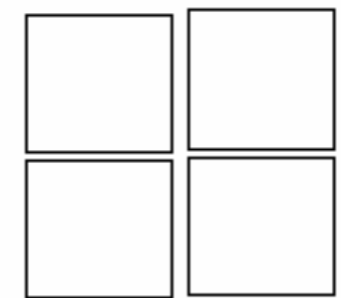


Score Display Board

8 Segment Display
2 Digits

Up-Count

S-Clear



M.McC 10- 2010

S-Clear
IC 4N35
Optocoupler

