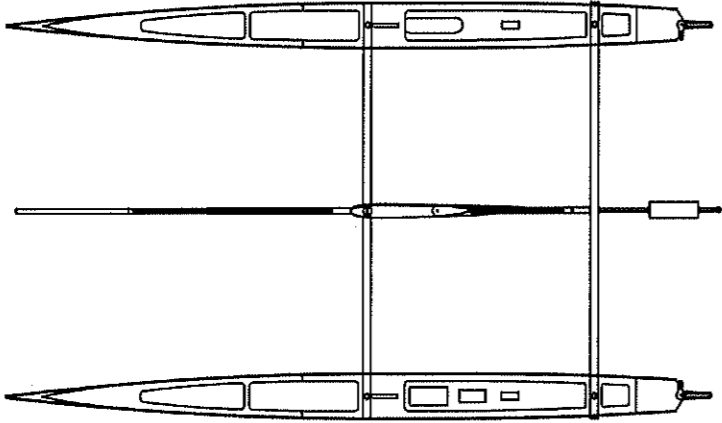
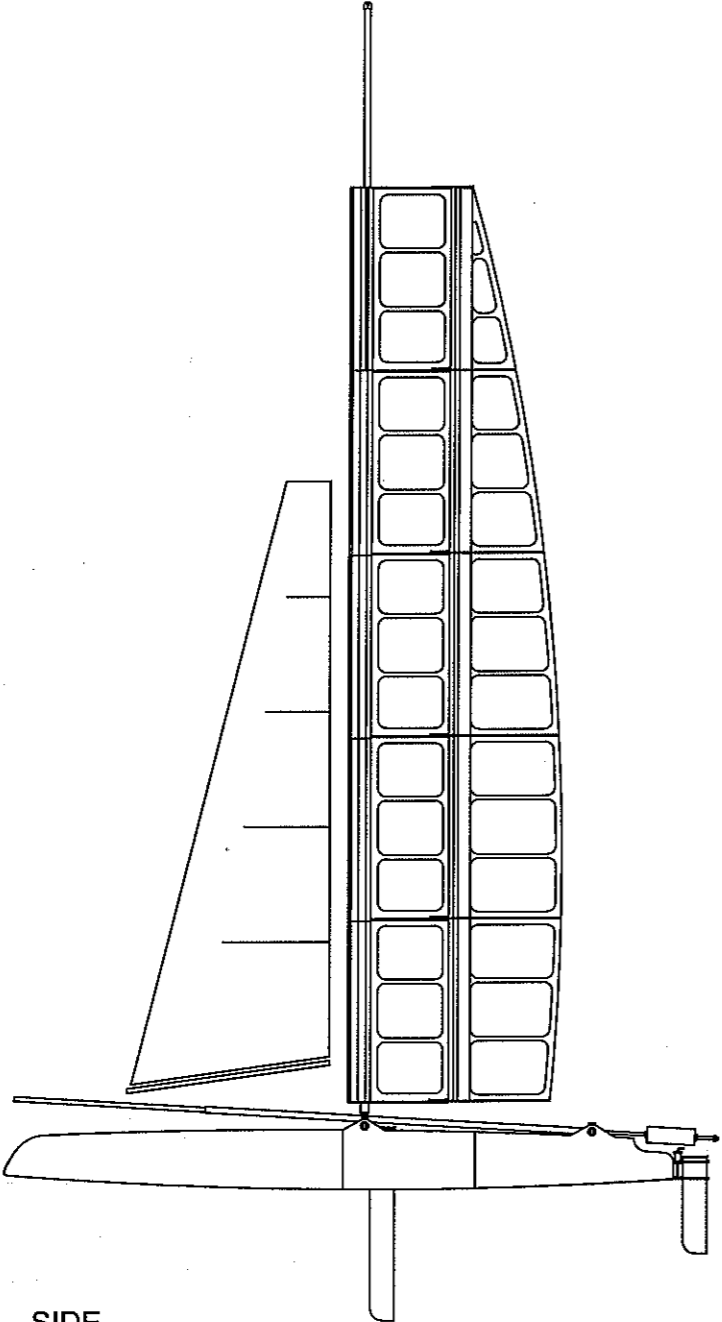


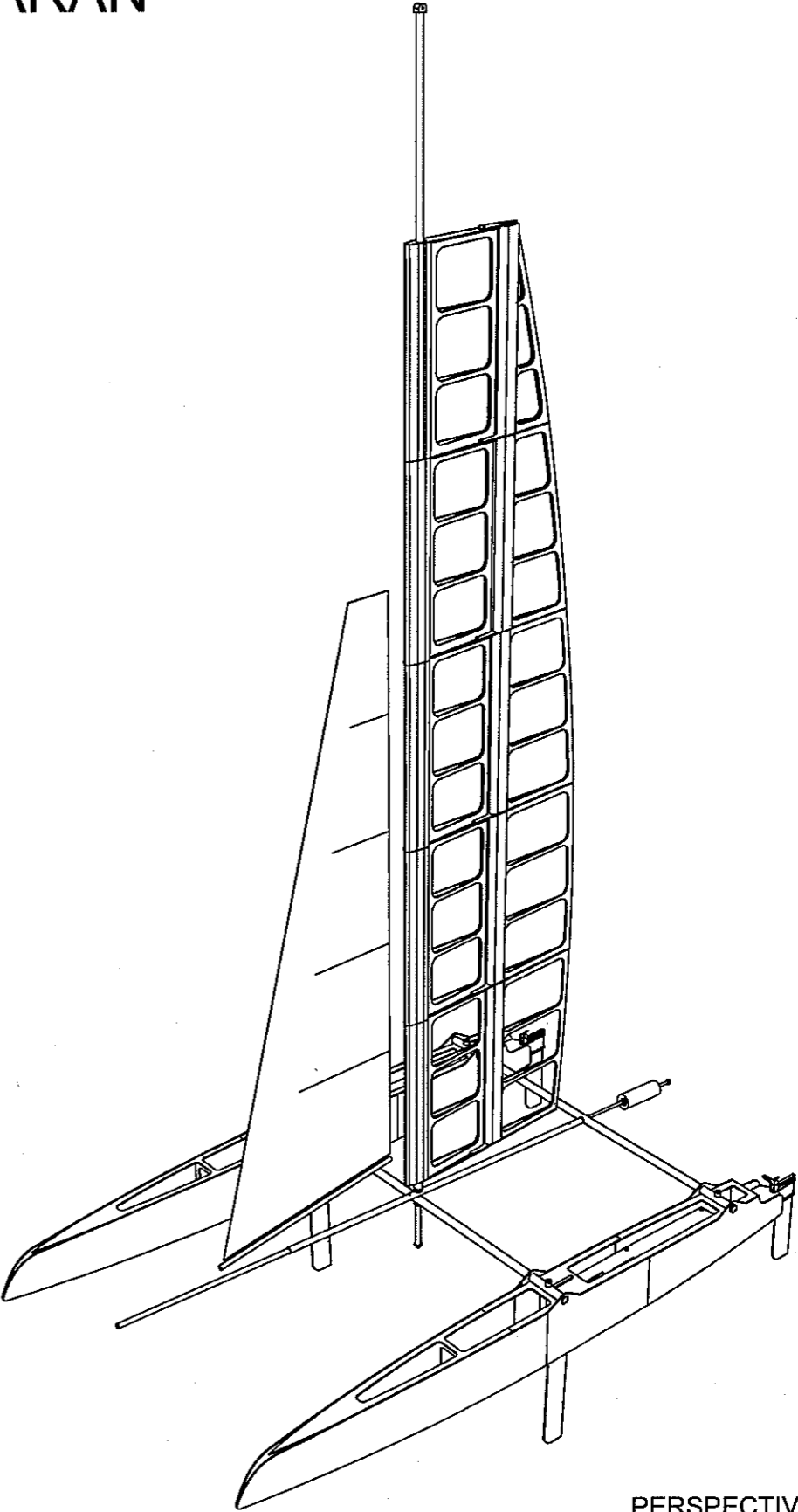
# WING SAIL CATAMARAN



TOP



SIDE

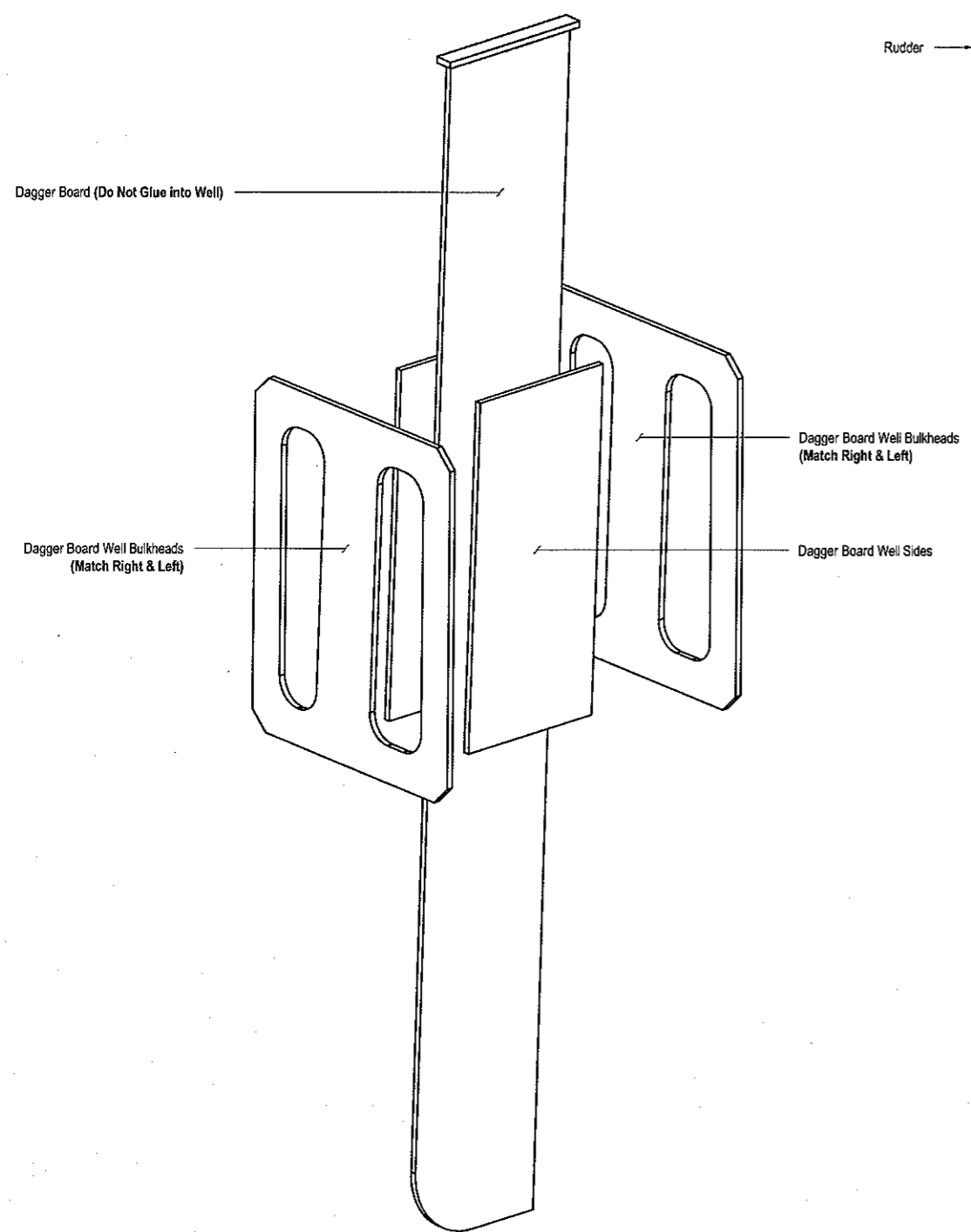
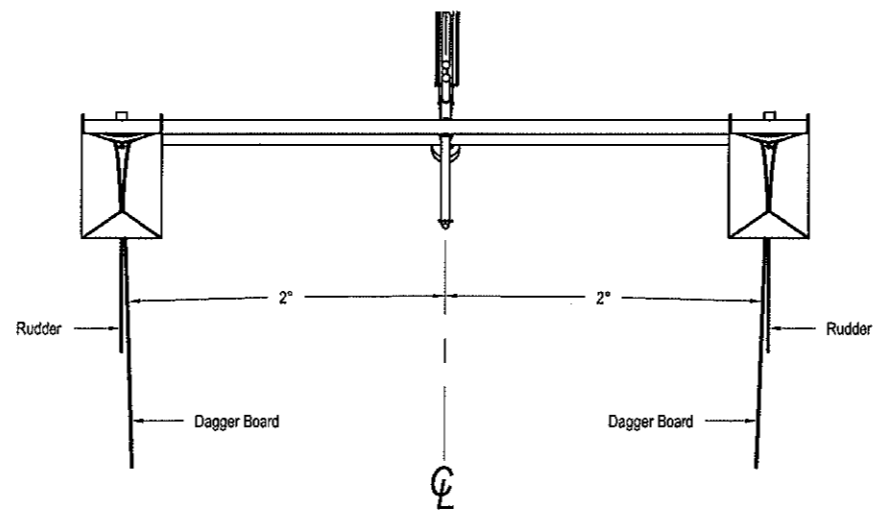


PERSPECTIVE

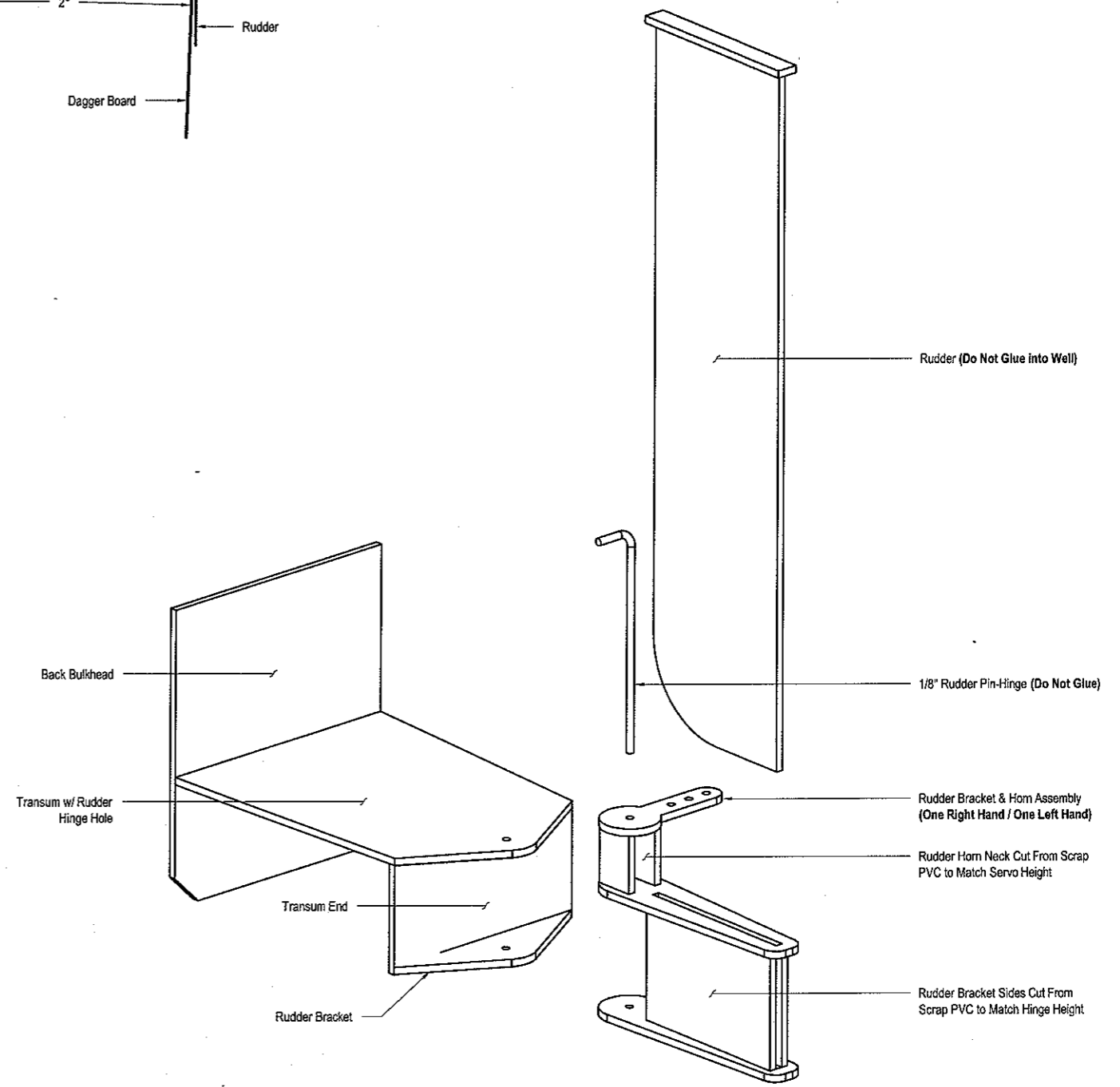




# DAGGER BOARD WELL & RUDDER ASSEMBLY

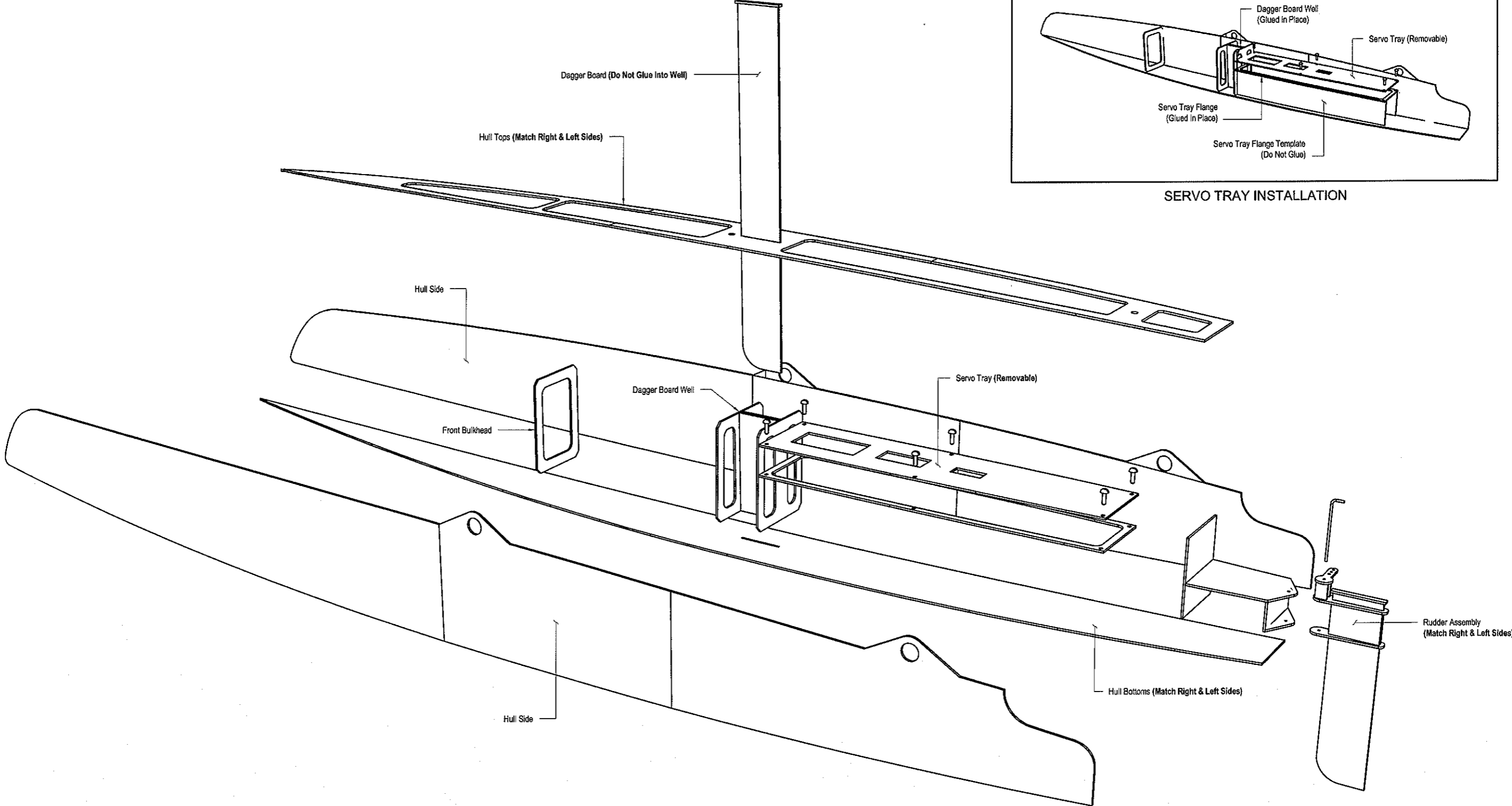


DAGGER BOARD WELL ASSEMBLY

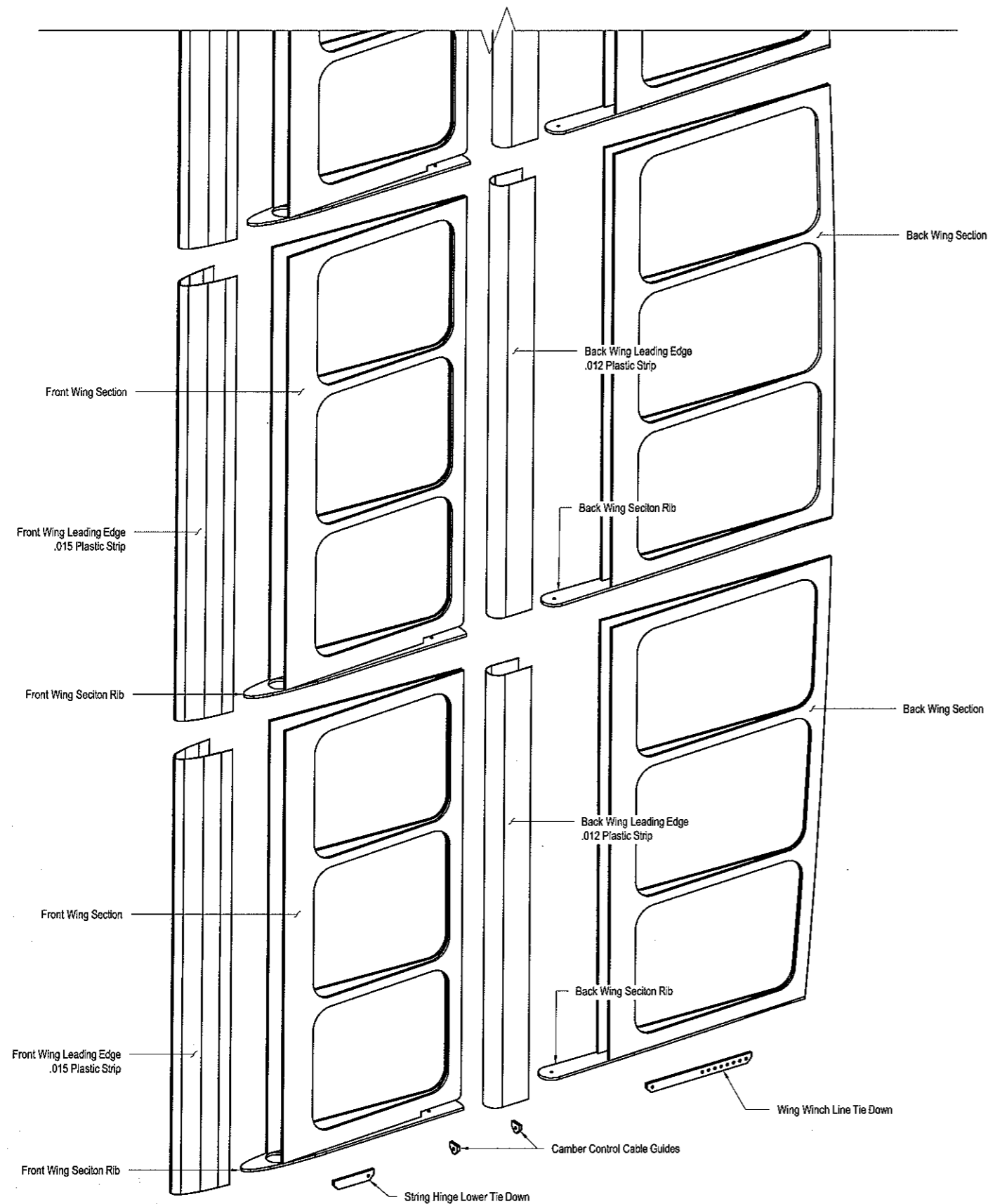


TRANSUM & RUDDER ASSEMBLY

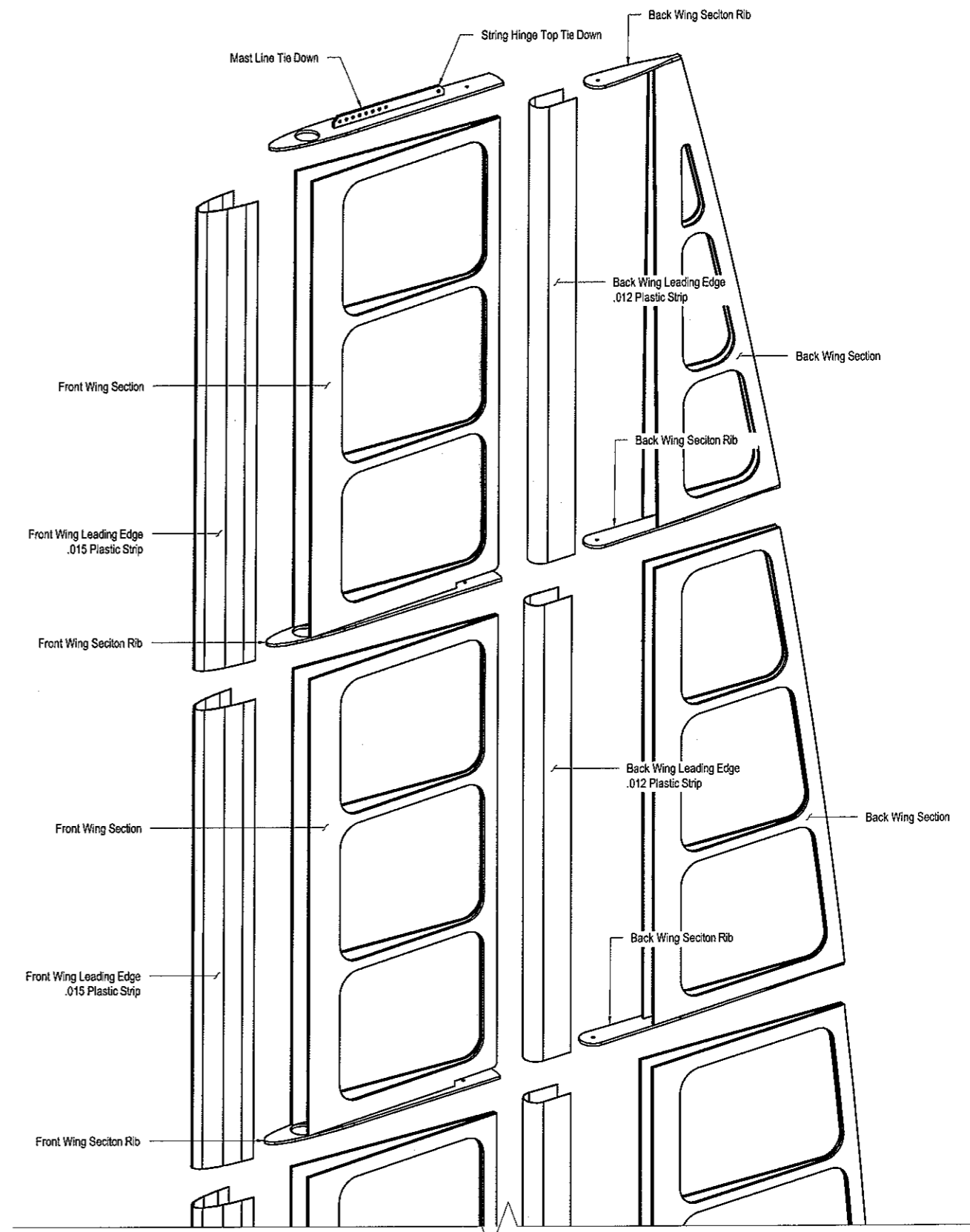
# HULL CONSTRUCTION



# WING CONSTRUCTION

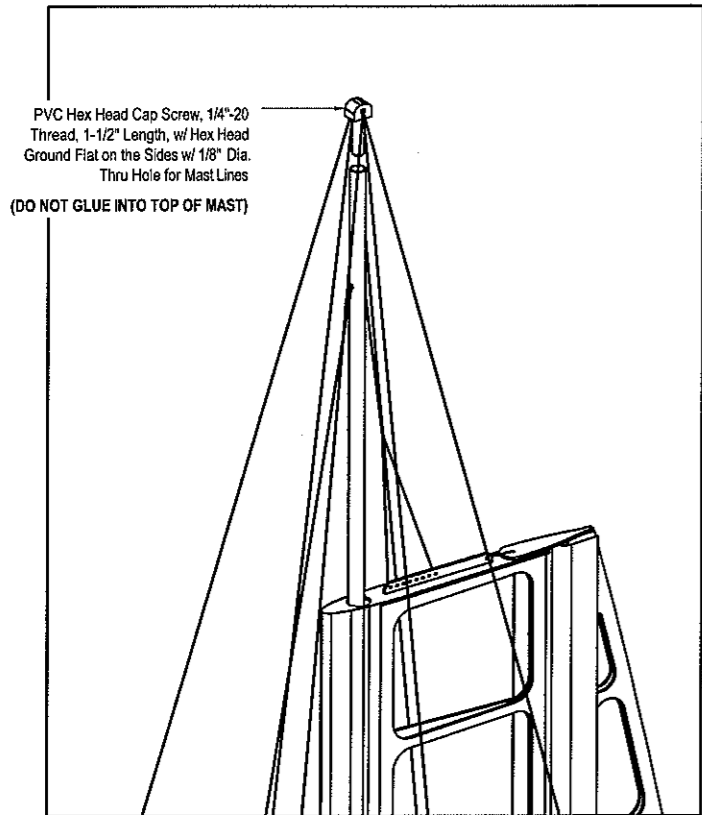


LOWER EXPLODED WING SECTIONS

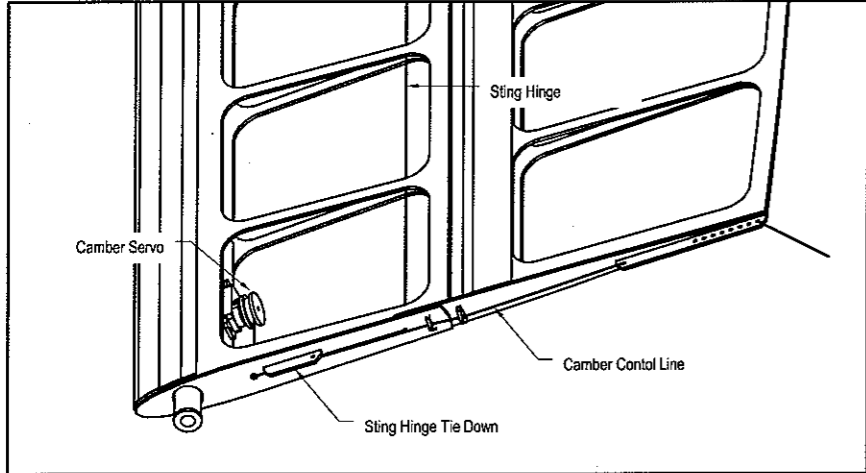
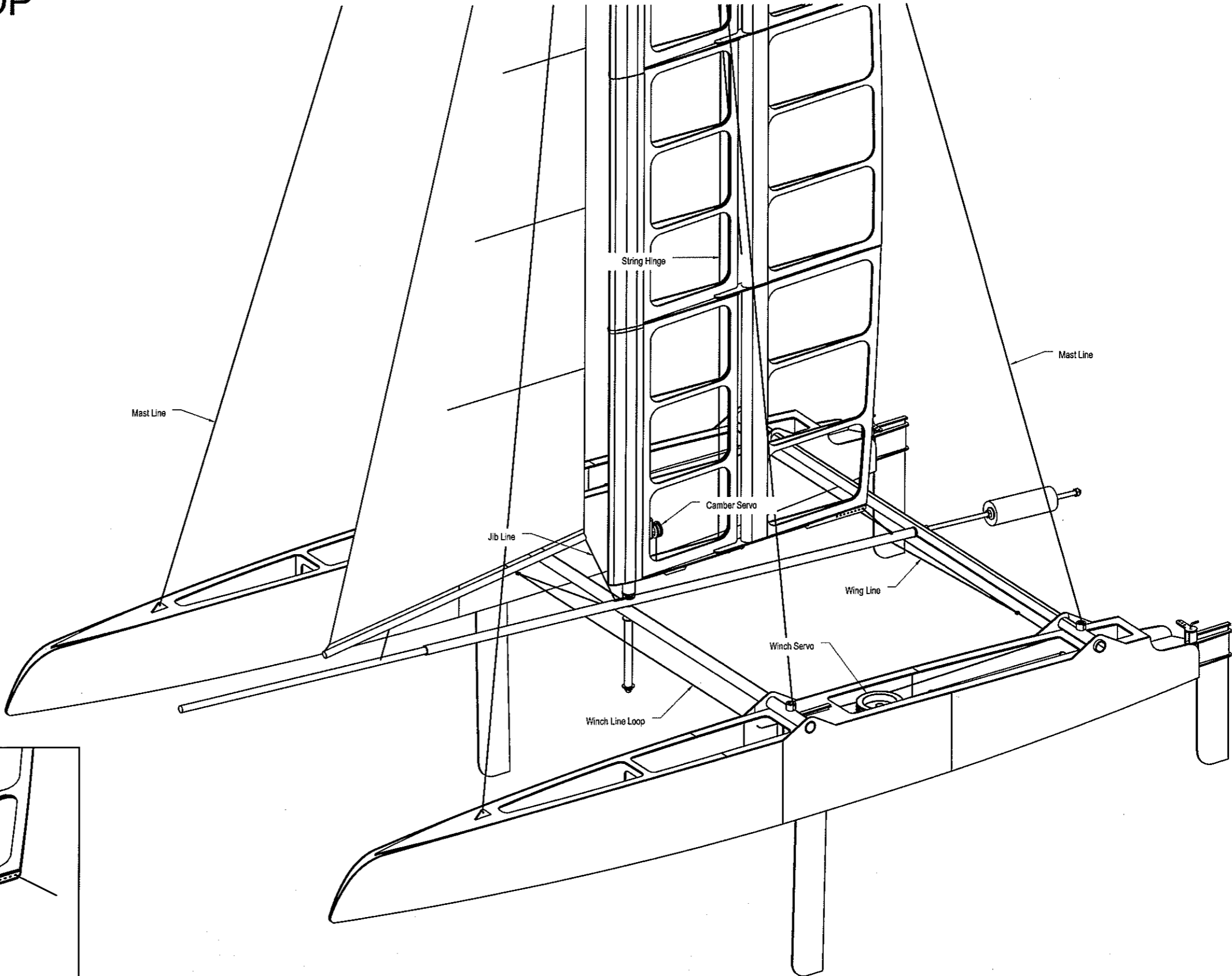


UPPER EXPLODED WING SECTIONS

# RIGGING & WINCH LOOP



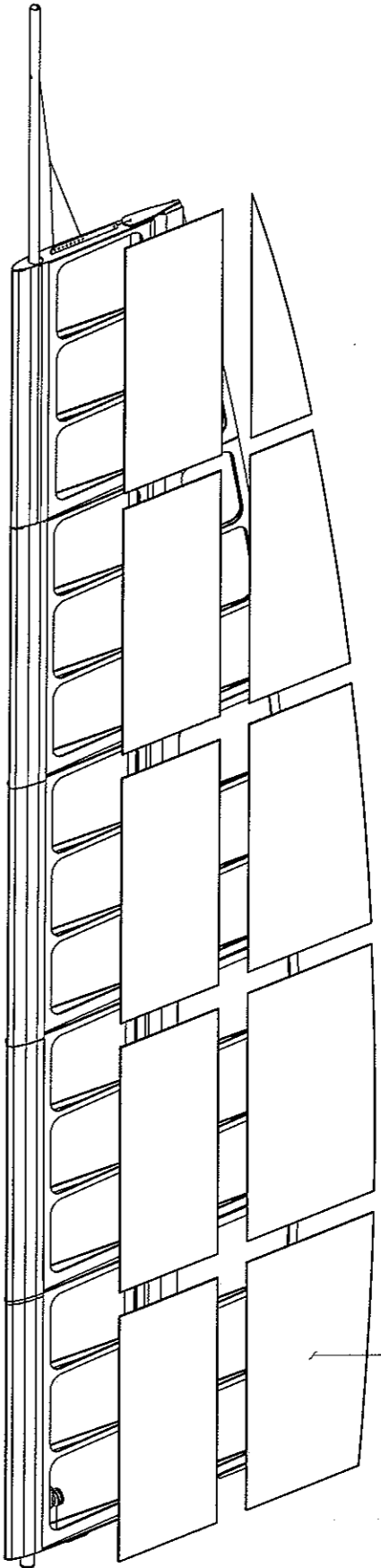
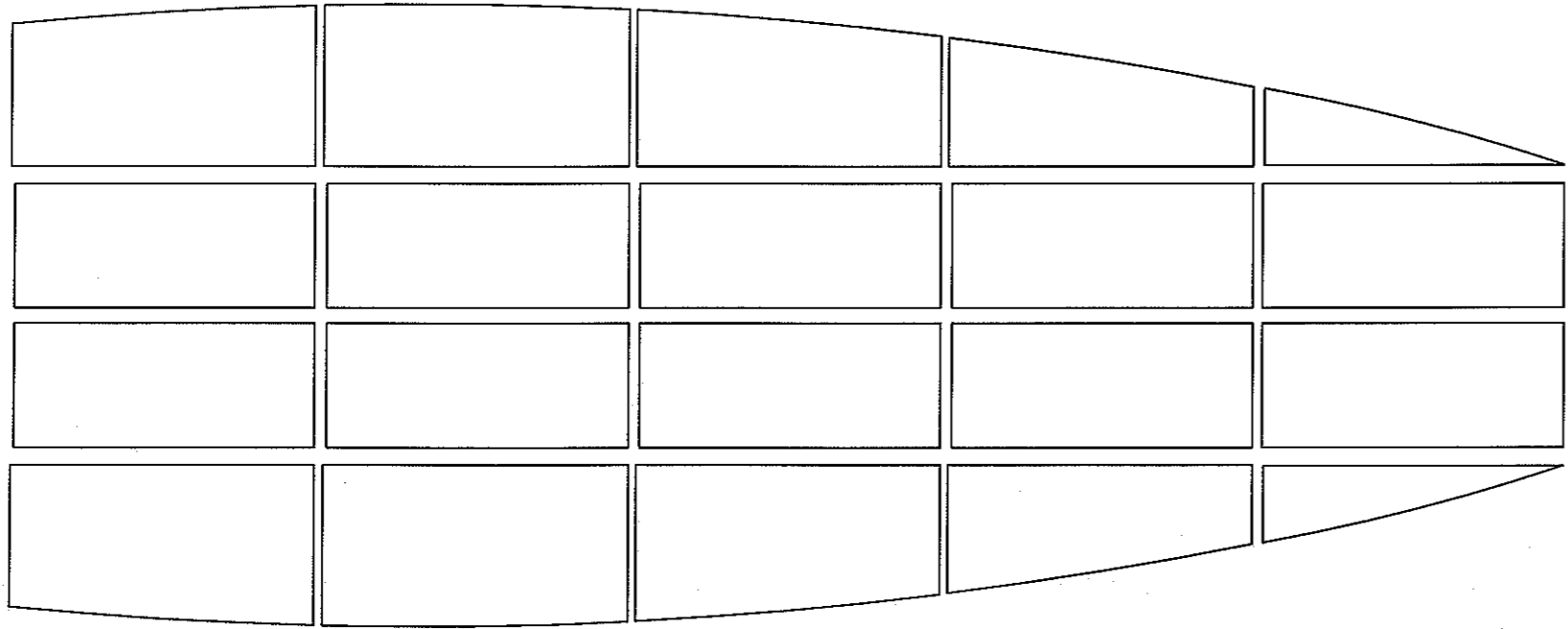
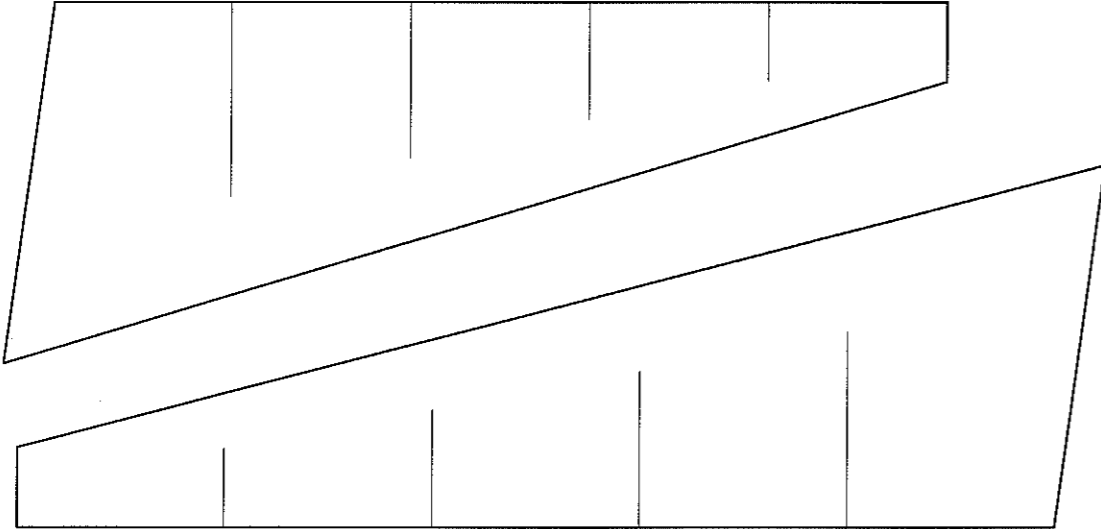
MAST & WING INSTALLATION



CAMBER CONTROL SERVO & STRING HINGE

# JIBS & WING SKINS

1.4mil. 377 Dupont Mylar Sheet



1/2" Wide Vinyl Tape Applied to Perimeter of Skin Panels. Attaches Skins to Wing Frame