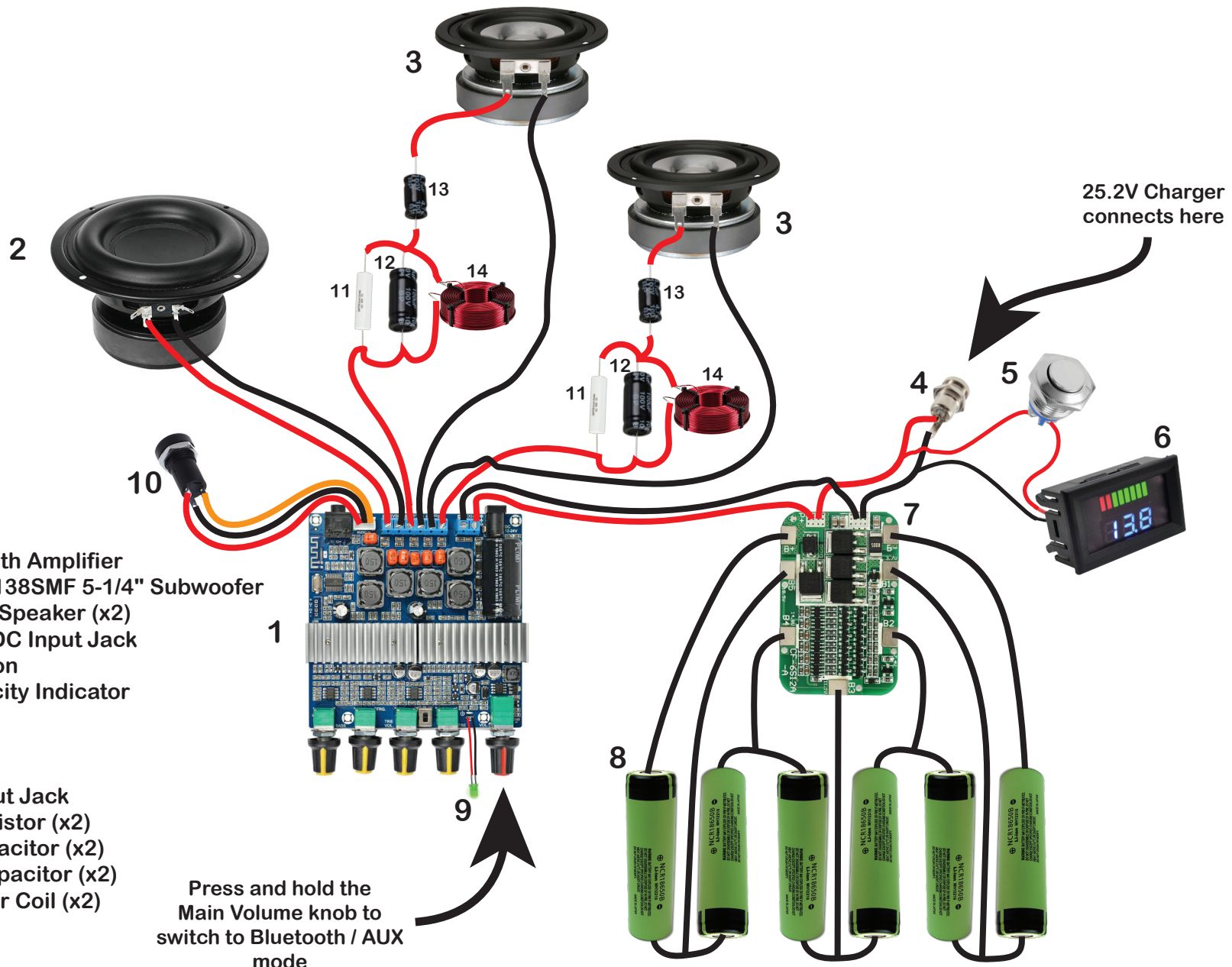


Portable 2.1 Boombox Wiring Diagram

by *Donny Terek*



Parts list:

- 1 - TPA3116 Bluetooth Amplifier
- 2 - Tang Band W5-1138SMF 5-1/4" Subwoofer
- 3 - Fountek FE85 3" Speaker (x2)
- 4 - 5.5mm x 2.1mm DC Input Jack
- 5 - 16mm Push Button
- 6 - 6S Battery Capacity Indicator
- 7 - 6S BMS Board
- 8 - 18650 Cells (x6)
- 9 - Green 3mm LED
- 10 - 3.5mm AUX Input Jack
- 11 - 3 Ohm 10W Resistor (x2)
- 12 - 12 uF 100V Capacitor (x2)
- 13 - 100 uF 100V Capacitor (x2)
- 14 - 0.50mH Inductor Coil (x2)

Press and hold the Main Volume knob to switch to Bluetooth / AUX mode