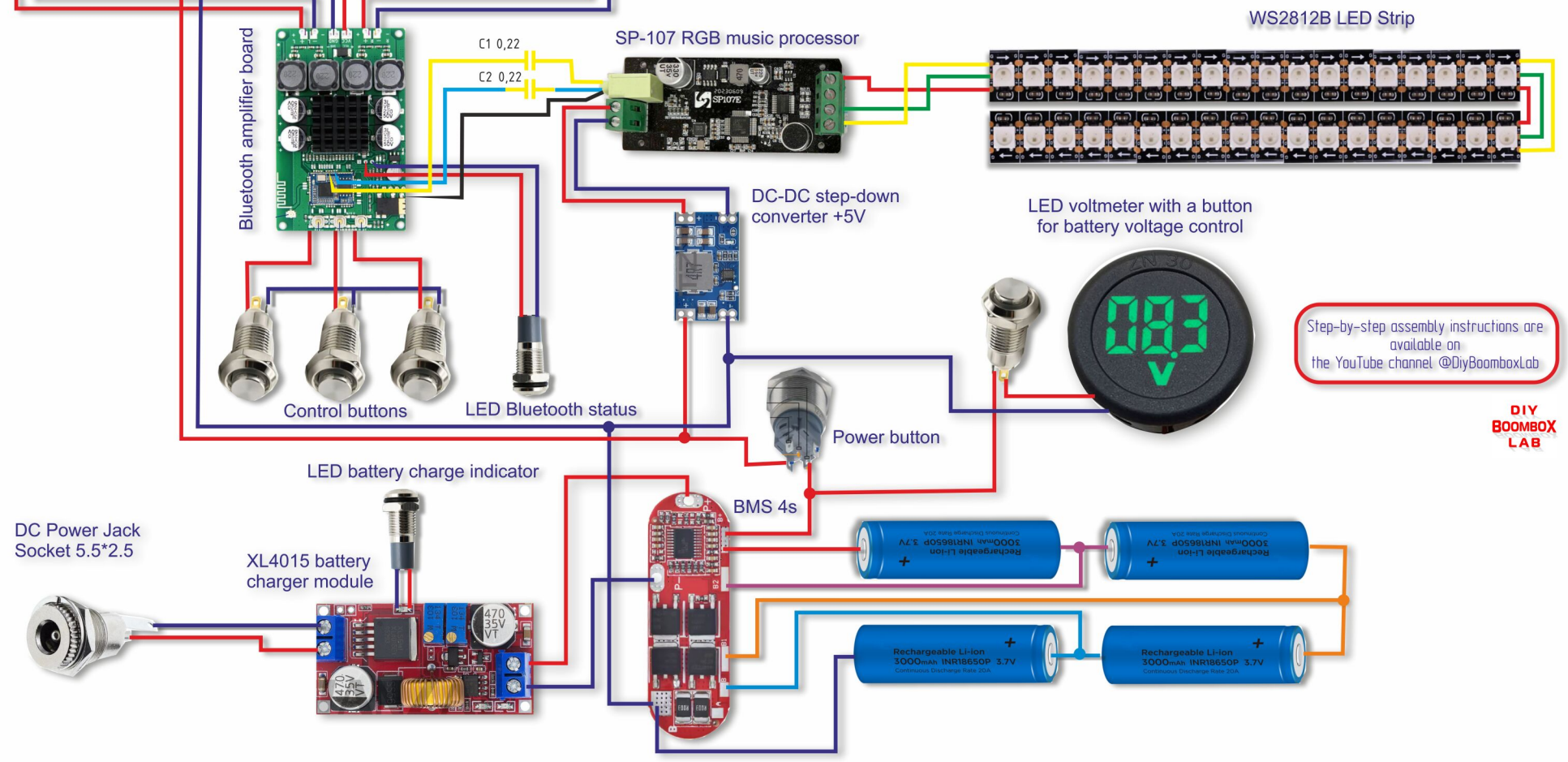
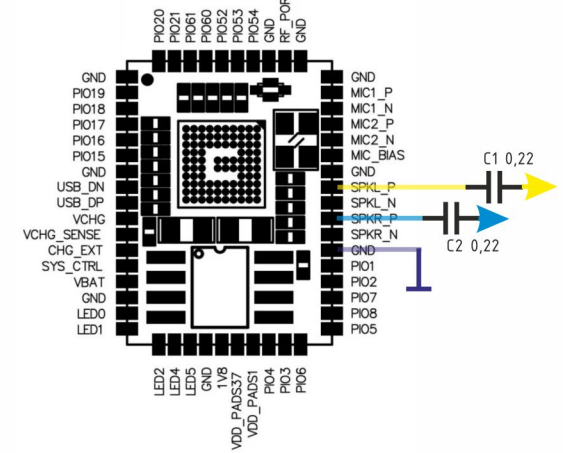




Scheme of organizing a linear output from a Bluetooth QCC5125 module



Step-by-step assembly instructions are available on the YouTube channel @DiyBoombboxLab

DIY BOOMBOX LAB