



WOODEN DUMMY

DRAWING TITLE

FINISHED VIEW

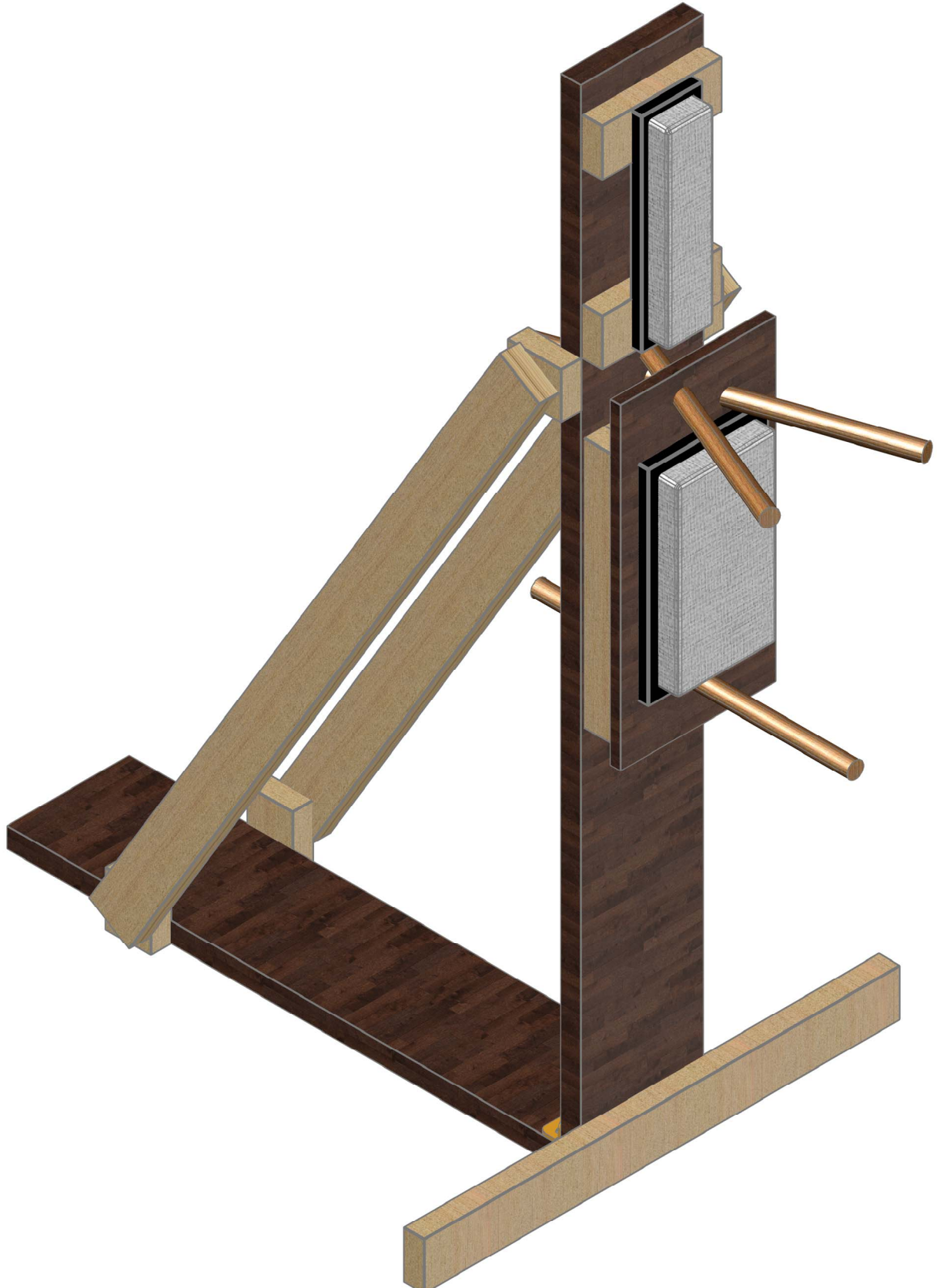
SCALE
TO SCALE

DRAWING NUMBER
IN-01-002-01

REV. #
0

DATE
09/15/2012

LOCATION OF PROJECT DIRECTIONS
www.instructables.com





WOODEN DUMMY

DRAWING TITLE

SE ISOMETRIC
VIEW

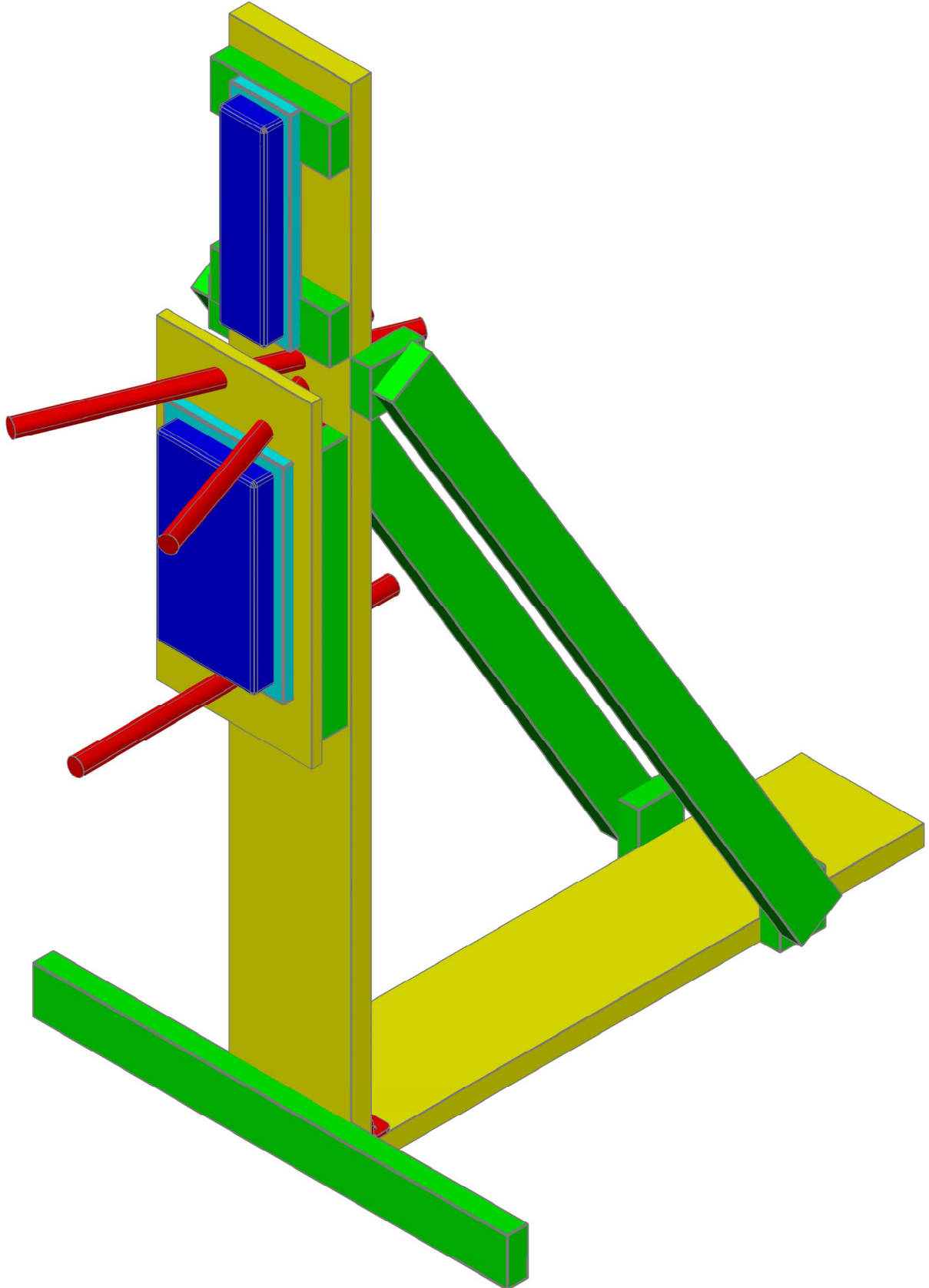
SCALE
TO SCALE

DRAWING NUMBER
IN-01-002-02

REV. #
0

DATE
09/15/2012

LOCATION OF PROJECT DIRECTIONS
www.instructables.com





WOODEN DUMMY

DRAWING TITLE

NE ISOMETRIC
VIEW

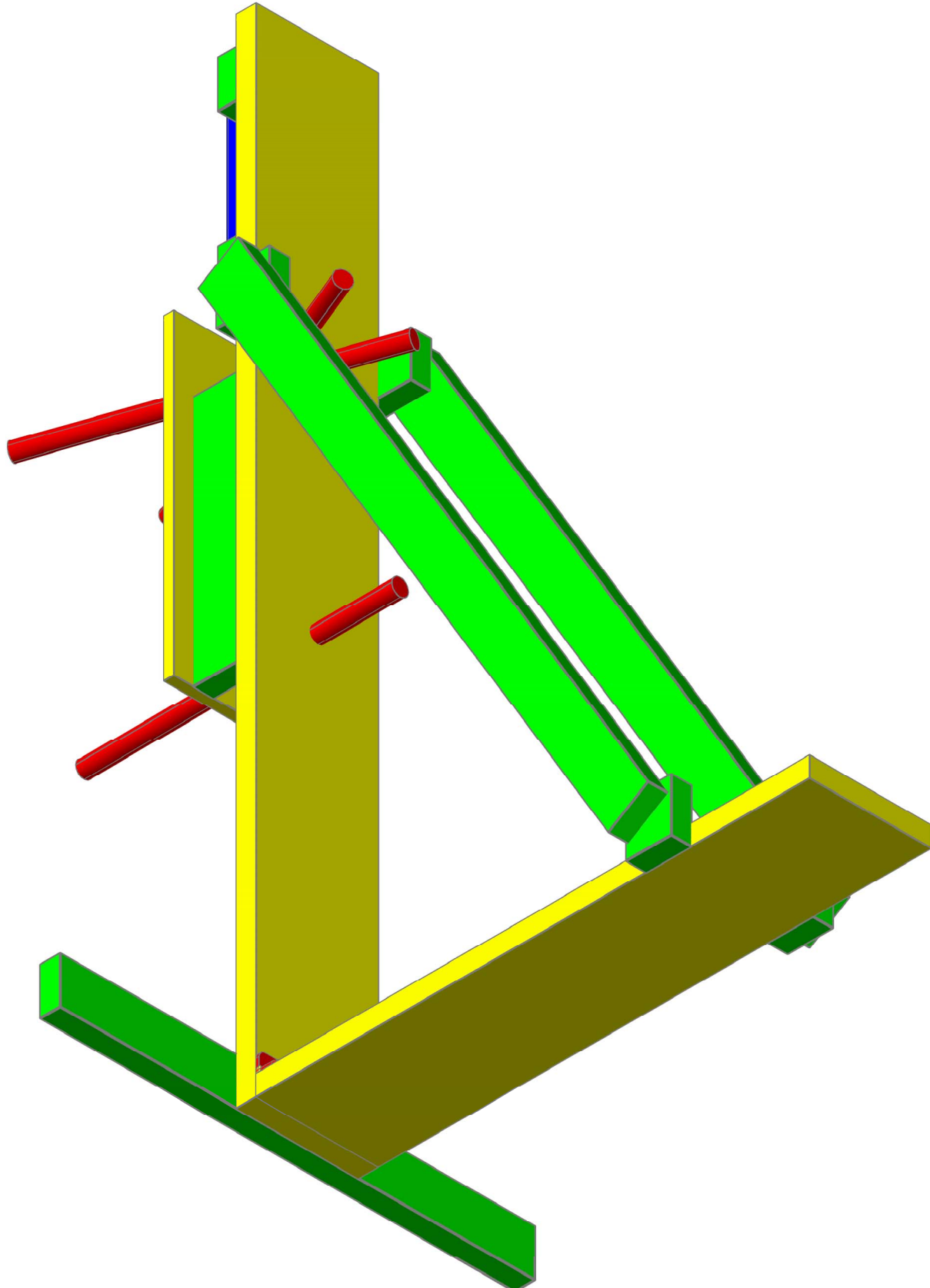
SCALE
TO SCALE

DRAWING NUMBER
IN-01-002-03

REV. #
0

DATE
09/15/2012

LOCATION OF PROJECT DIRECTIONS
www.instructables.com





WOODEN DUMMY

DRAWING TITLE

EXPLODED VIEW

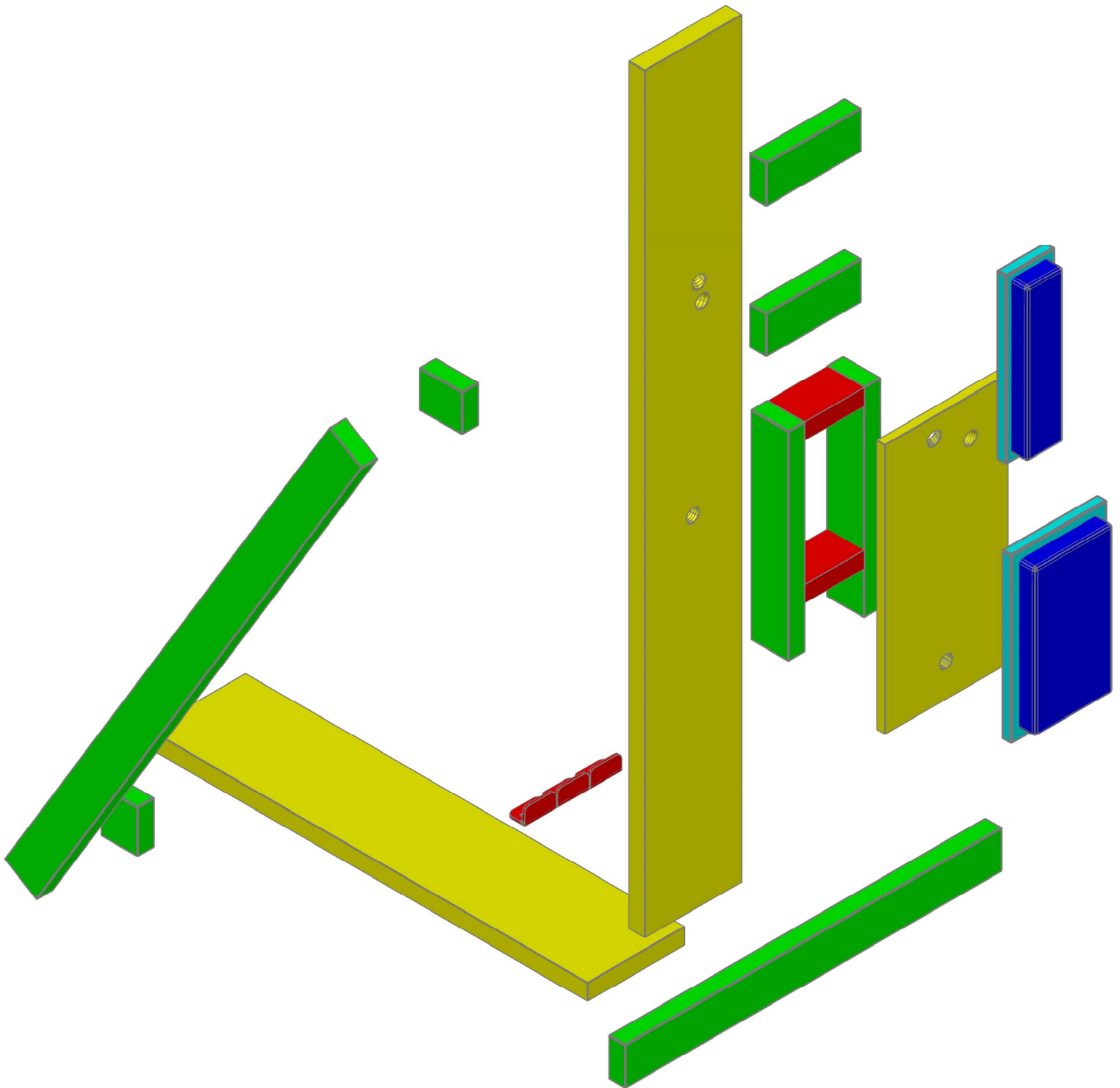
SCALE
TO SCALE

DRAWING NUMBER
IN-01-002-04

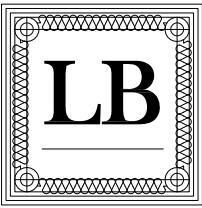
REV. #
0

DATE
09/15/2012

LOCATION OF PROJECT DIRECTIONS
www.instructables.com



NOTE: Right side 45° support
not shown for clarity



WOODEN DUMMY

DRAWING TITLE

DIMENSIONED VIEW

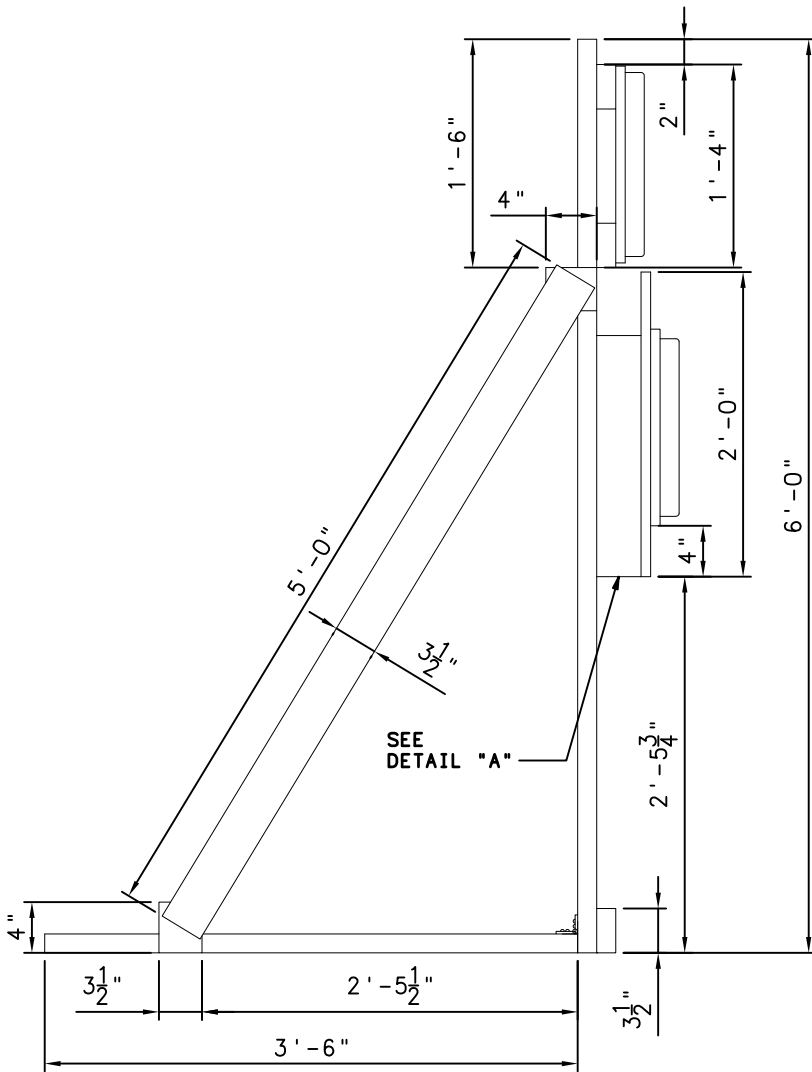
SCALE
TO SCALE

DRAWING NUMBER
IN-01-002-05

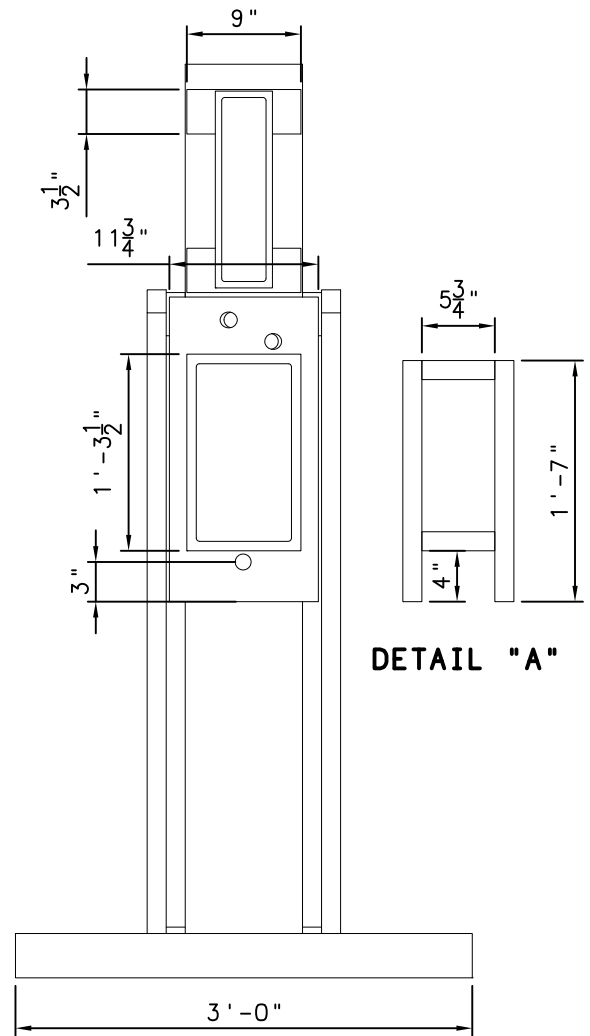
REV. #
0

DATE
09/15/2012

LOCATION OF PROJECT DIRECTIONS
www.instructables.com



SIDE VIEW



FRONT VIEW