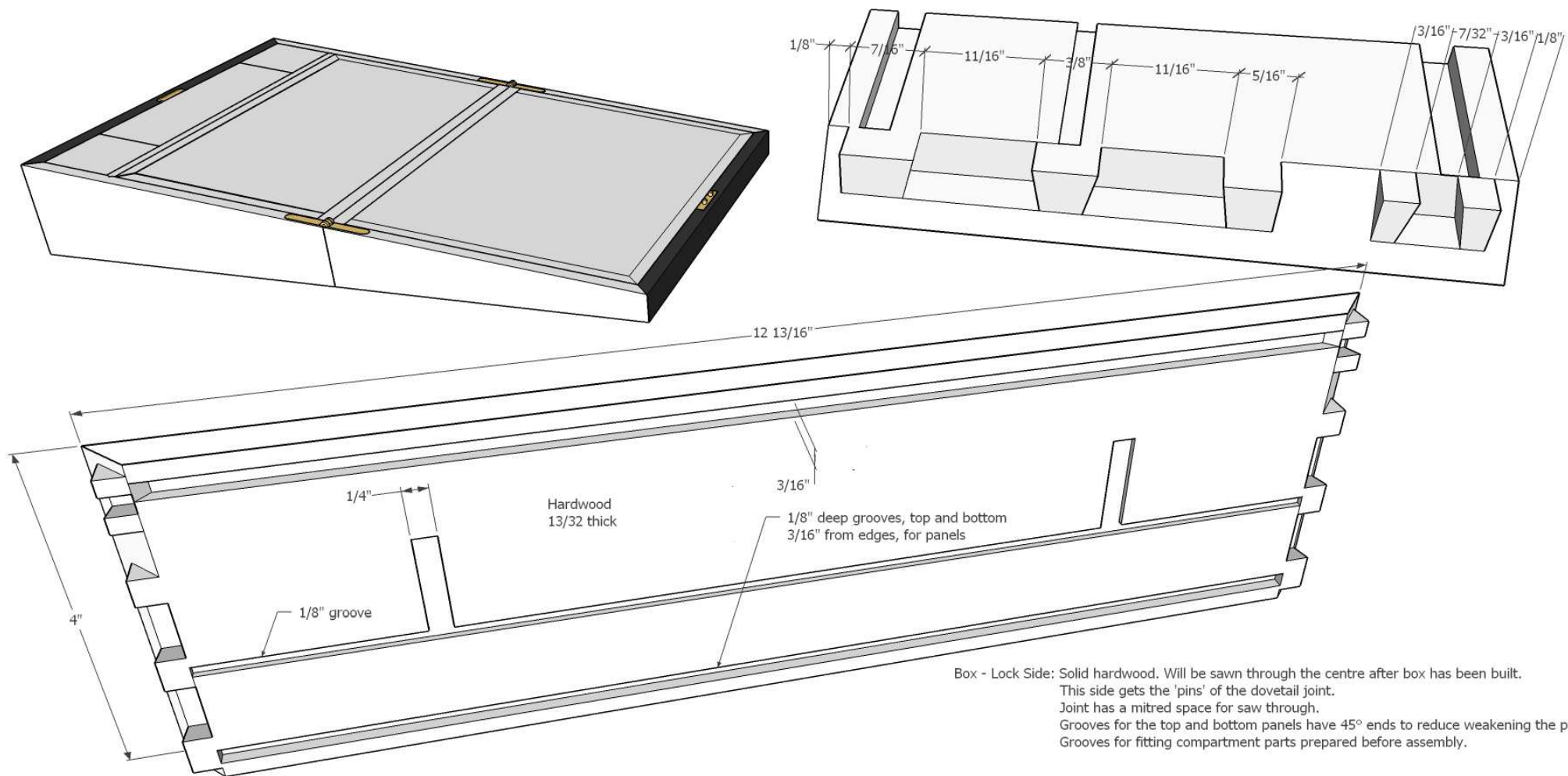


Hardwood Writing Slope Plans

by Mitch Peacock

1(7)

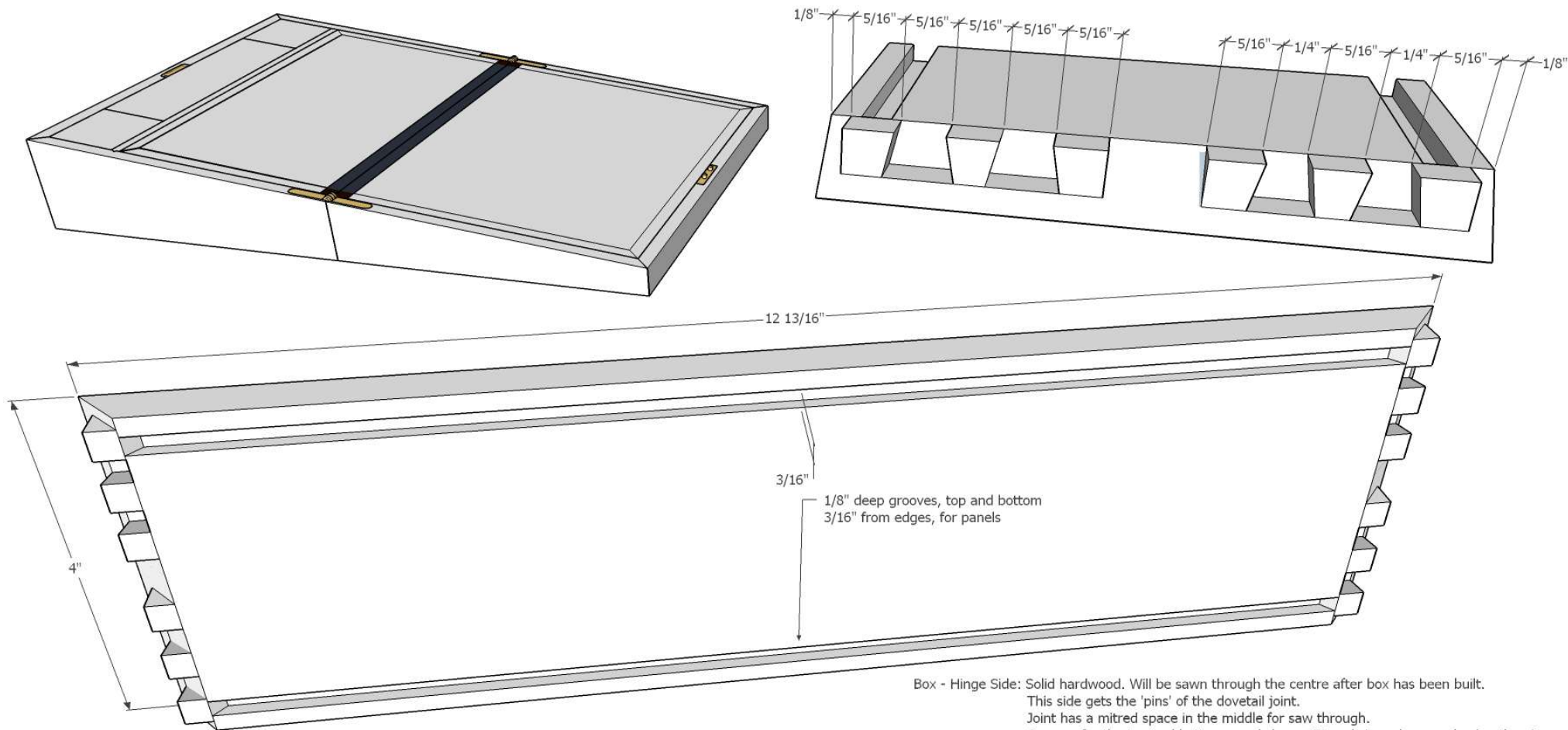


Lock Side of Box

Hardwood Writing Slope Plans

by Mitch Peacock

2(7)



Box - Hinge Side: Solid hardwood. Will be sawn through the centre after box has been built.
This side gets the 'pins' of the dovetail joint.
Joint has a mitred space in the middle for saw through.
Grooves for the top and bottom panels have 45° ends to reduce weakening the pin.

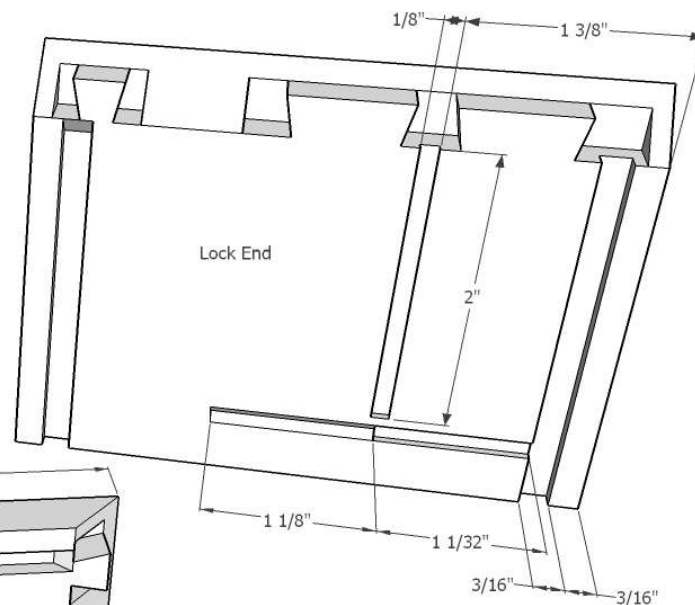
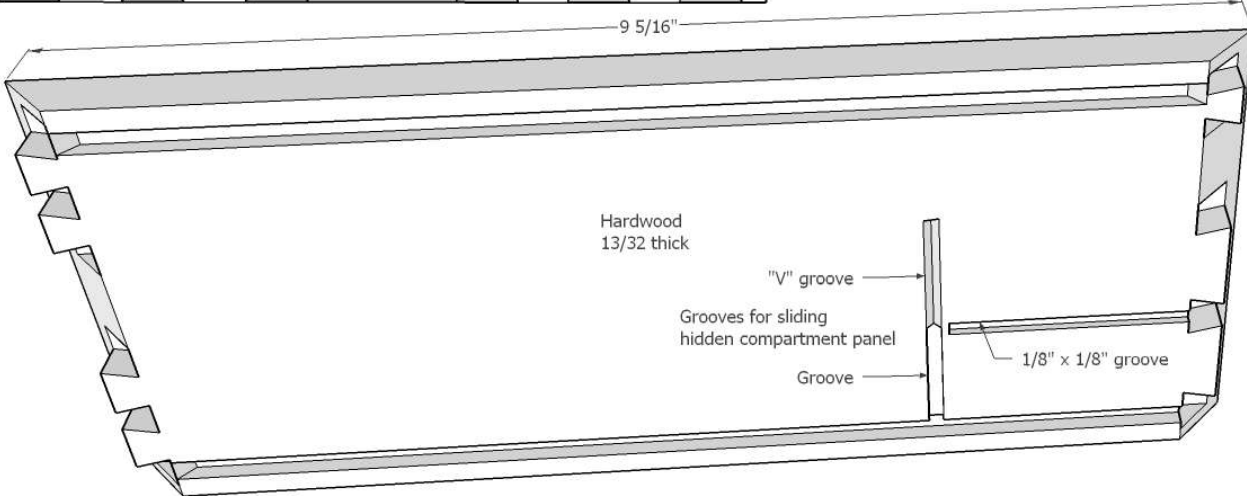
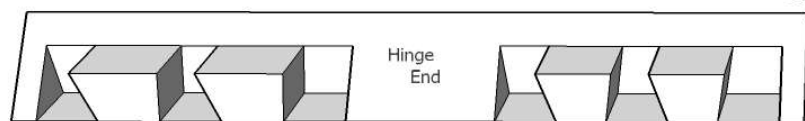
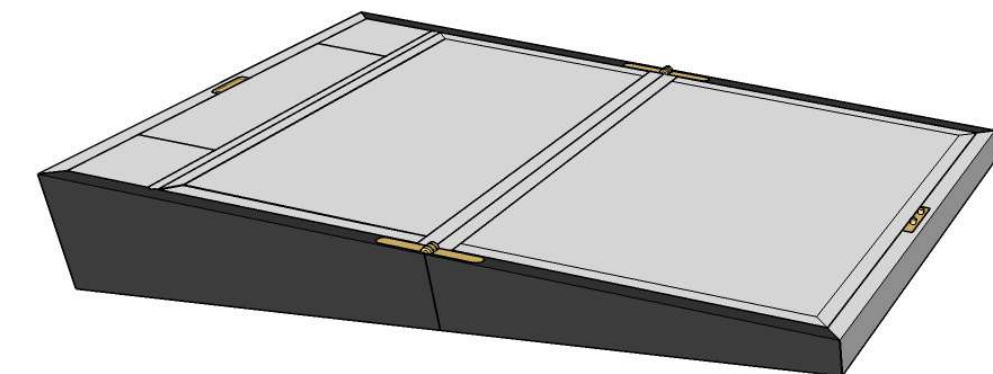
Hardwood Writing Slope Plans
Copyright © Mitch Peacock 2019

Hinge Side of Box

Hardwood Writing Slope Plans

by Mitch Peacock

3(7)



Box - Narrow Sides: Solid hardwood.

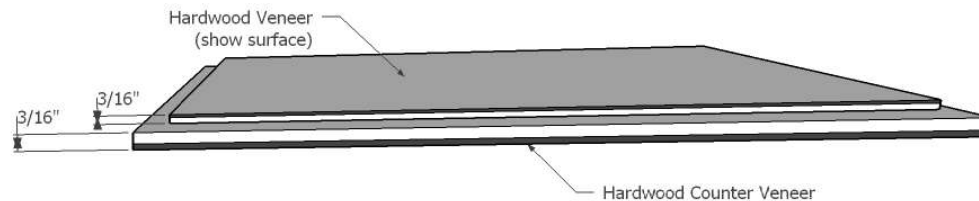
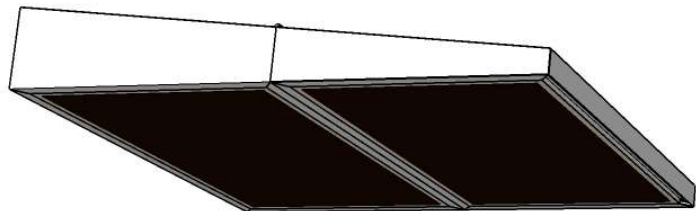
To be sawn through the centre, at angle, after box has been built. These sides are mirror images of each other (only one shown). The 'tails' of the dovetail joint are transferred from the pin boards, which is why measurements are not given here. Joint has a mitred space for saw through. Grooves for the top and bottom panels have 45° ends, where they intercept tails. Grooves for fitting compartment parts prepared before assembly.

Narrow Sides of Box (2 off, mirrored)

Hardwood Writing Slope Plans

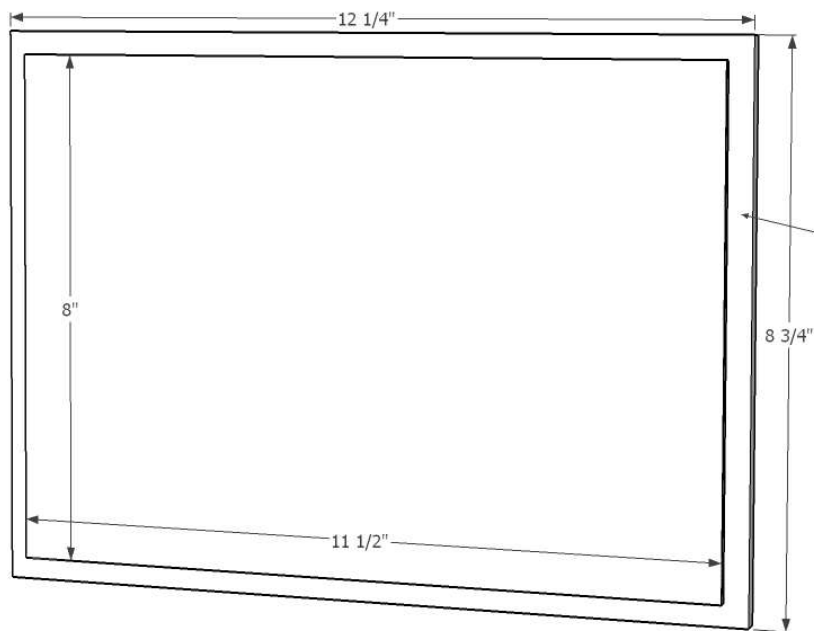
by Mitch Peacock

4(7)



Box - Top & Bottom: Veneered MDF.

Sandwich hardwood veneers over MDF cores, to make two panels.
 Total thickness should be 3/8"
 Non-show surface veneer is to balance the panel and help prevent warping.
 Rebate allows panel to fit grooves in box sides, and is wide enough to leave a groove to take the inlay banding



Rebate all around panel for inlay banding
 3/8" wide by 3/16" deep

Other Material & Hardware:

Hinges: Brusso Side Rail Hinge SR-301 (Classic Hand Tools SR-301)

Lock: 1 1/2" Jewel Case Lock No.5 (Niche Locks 1.5JC5)

Leather Skiver: Made to order from Essex Galleries

Callico: Medium weight

Baize: As desired

Hardwood Writing Slope Plans

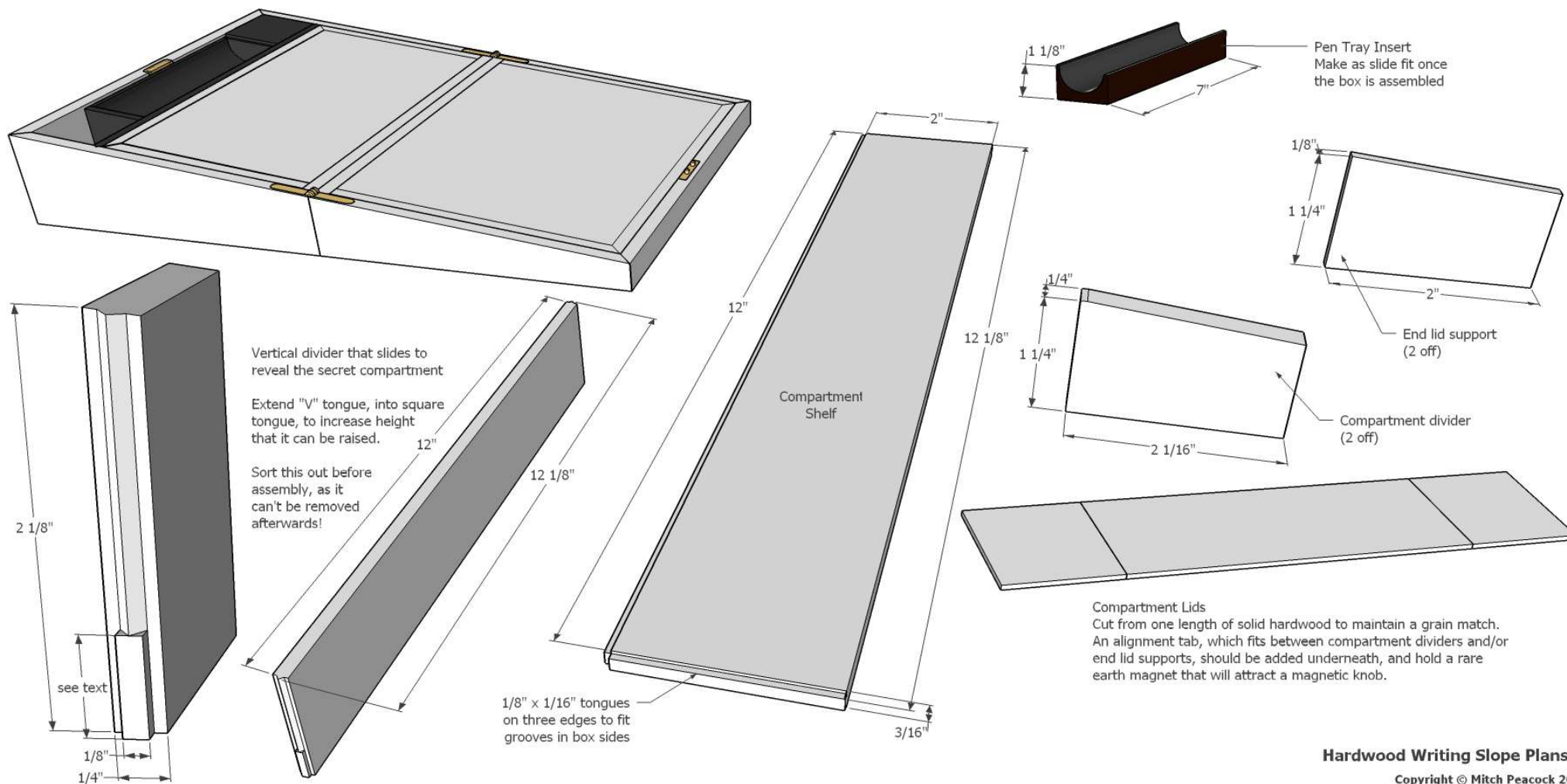
Copyright © Mitch Peacock 2019

Top & Bottom Box Panels (2 off)

Hardwood Writing Slope Plans

by Mitch Peacock

5(7)



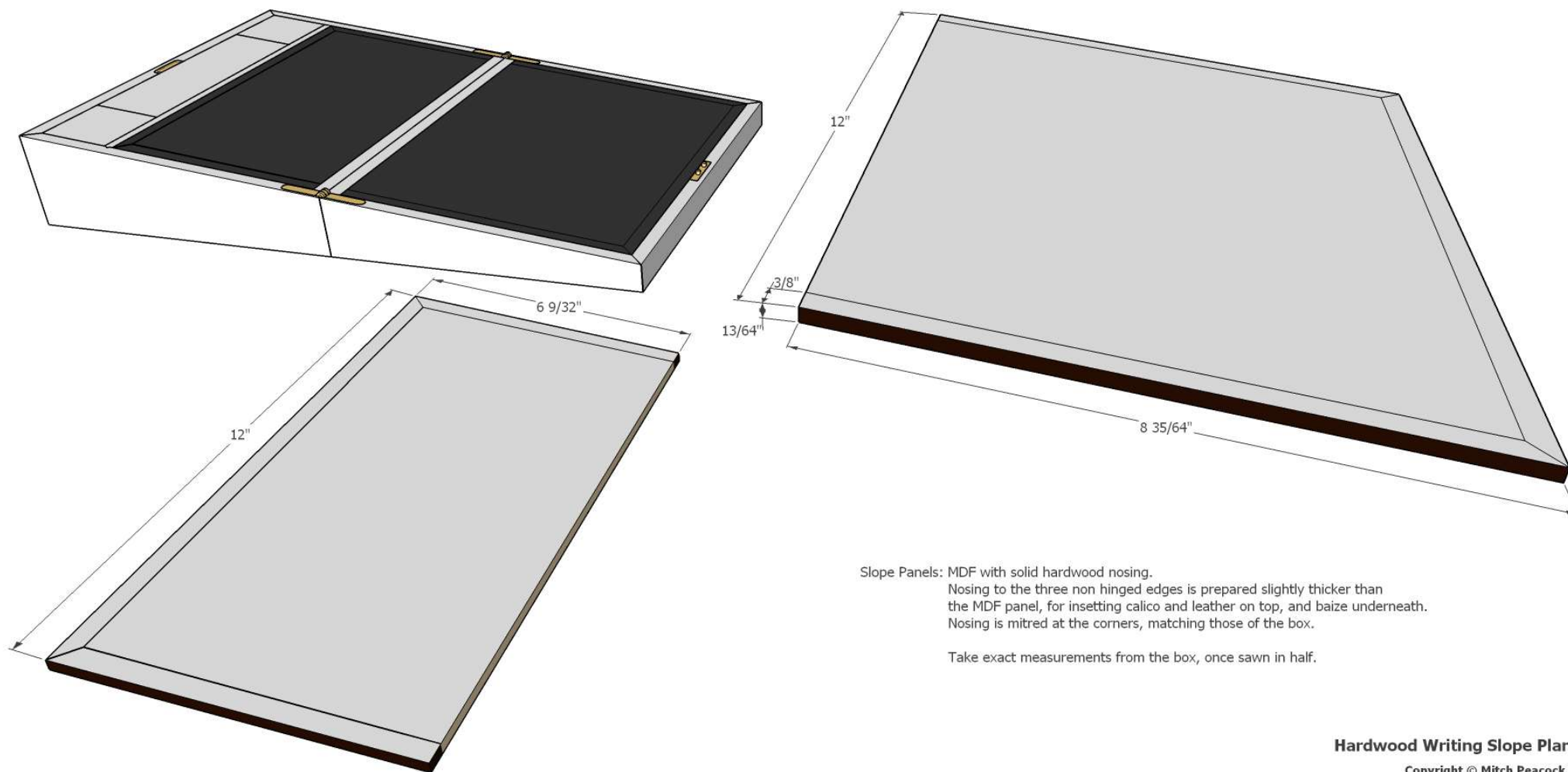
Hardwood Writing Slope Plans
Copyright © Mitch Peacock 2019

Compartment Parts – Compartment Shelf, Rise and Fall Divider (hidden compartment), Fixed Dividers/Supports, Compartment Lids

Hardwood Writing Slope Plans

by Mitch Peacock

6(7)



Slope Panels: MDF with solid hardwood nosing.
Nosing to the three non hinged edges is prepared slightly thicker than the MDF panel, for inseting calico and leather on top, and baize underneath.
Nosing is mitred at the corners, matching those of the box.

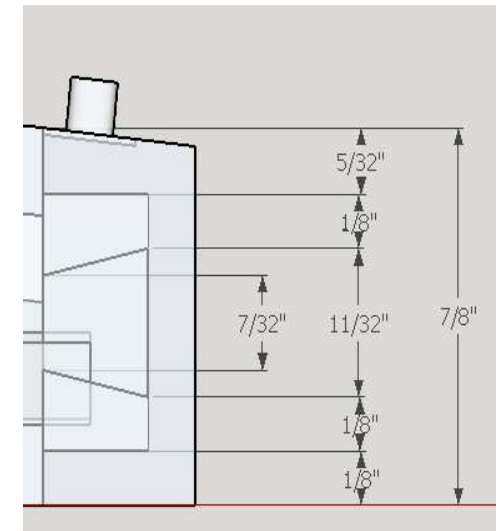
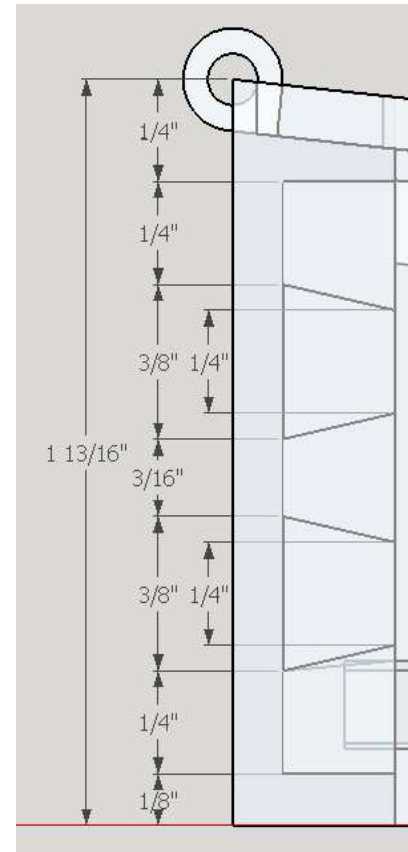
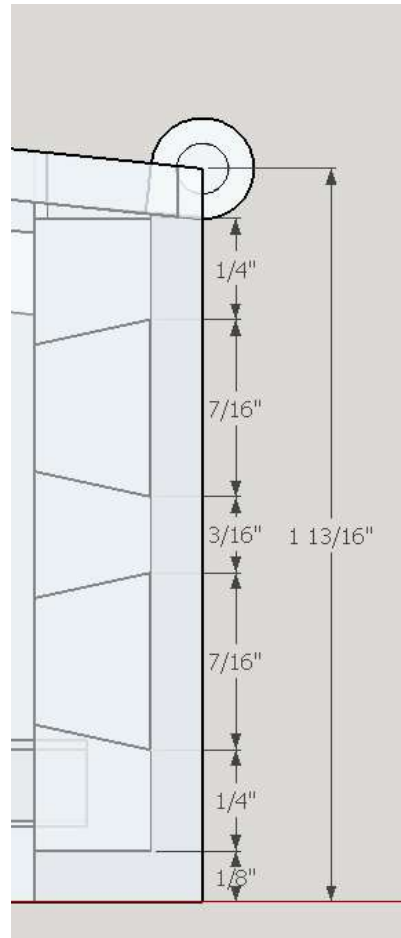
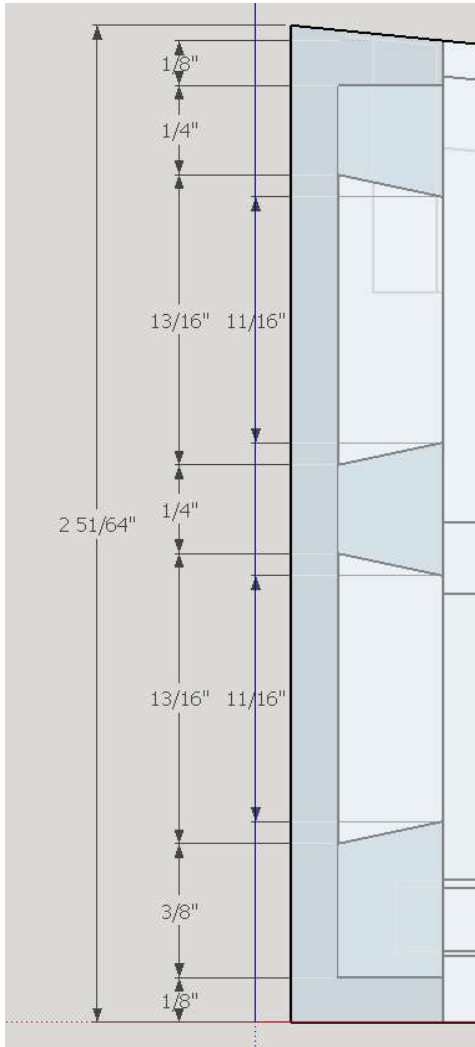
Take exact measurements from the box, once sawn in half.

Sloped Writing Surfaces

Hardwood Writing Slope Plans

by Mitch Peacock

7(7)



“X-ray” of corners, showing Secret Mitre Dovetails (Taken from model, and purely a guide. Not to scale)