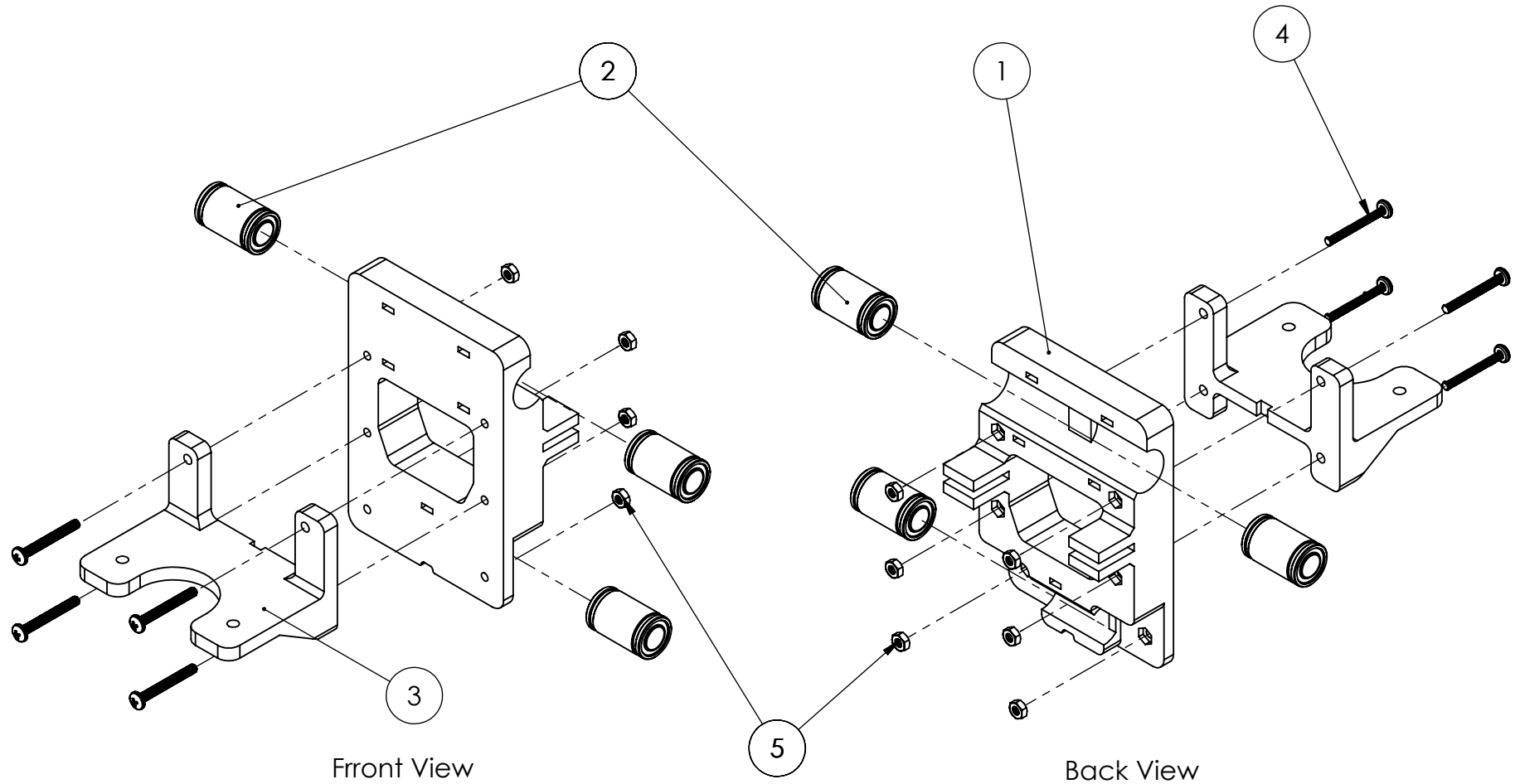


ITEM NO.	PART NUMBER	QTY.
1	X Carriage Rev.2	1
2	LM8UU_24mm	3
3	Extruder Mount 2.0	1
4	M3 Pan Head x 25mm	4
5	M3 Hex Nut	6



COMMENTS:	SIZE	TITLE:	REV
	A	X_Carriage_SubAssy	
	SCALE: 1:2		SHEET 1 OF 1

5

4

3

2

1