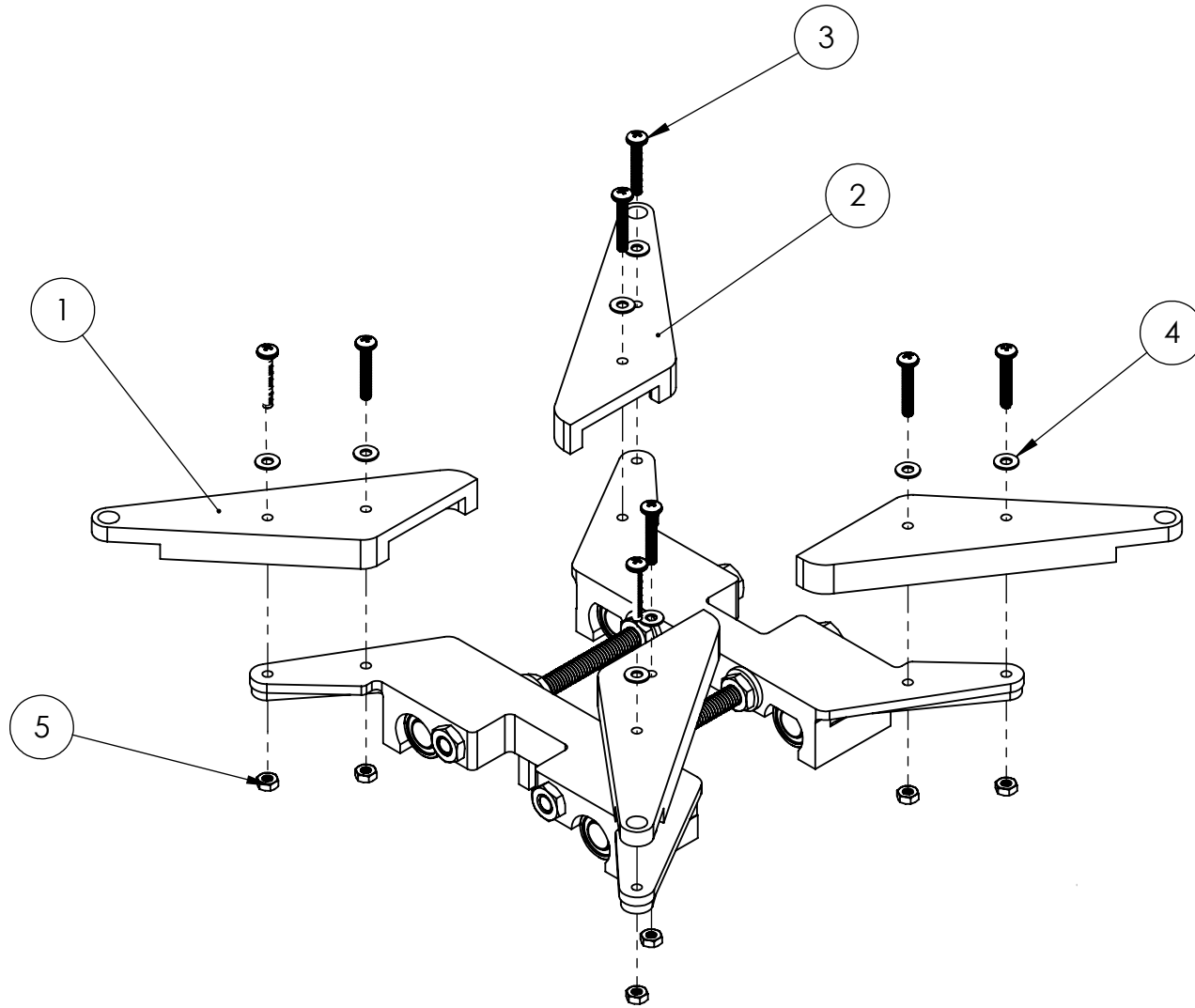


ITEM NO.	PART NUMBER	QTY.
1	Y Carriage Extender_A Rev.2	2
2	Y Carriage Extender_B Rev.2	2
3	M3 Pan Head x 18mm	8
4	M3 Washer	8
5	M3 Hex Nut	8



COMMENTS:	SIZE	TITLE:	REV
	A	Y_Carriage_SubAssy2	
	SCALE: 1:2		SHEET 2 OF 3