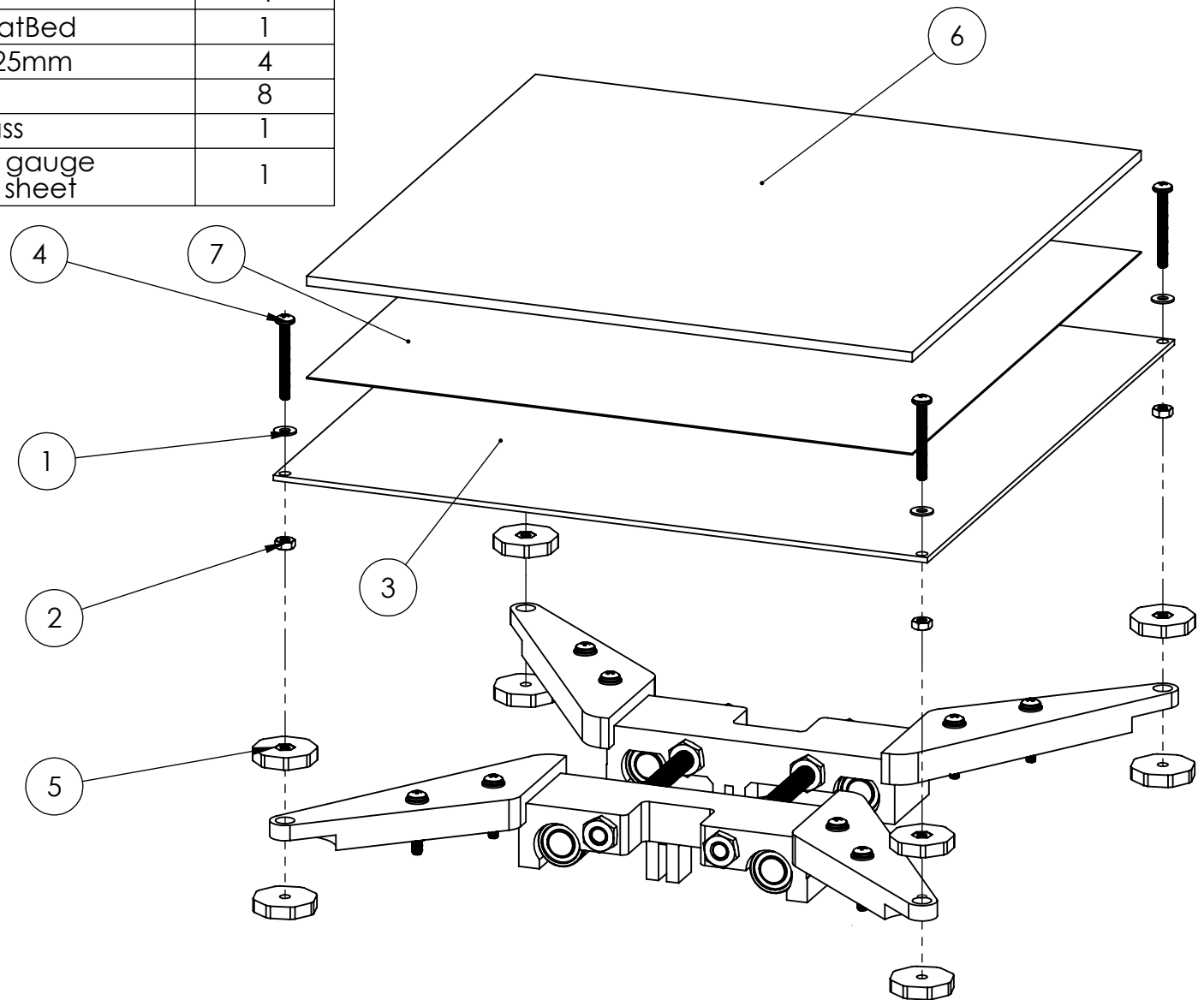


ITEM NO.	PART NUMBER	QTY.
1	M3 Washer	4
2	M3 Hex Nut	4
3	200 x 200mm HeatBed	1
4	M3 Pan Head x 25mm	4
5	Knob Assembly	8
6	200 x 200mm glass	1
7	200 x 200mm 28 gauge galvanized steel sheet	1



COMMENTS:	SIZE	TITLE:	REV
	A	Y_Carriage_SubAssy3	
	SCALE: 1:4		SHEET 3 OF 3