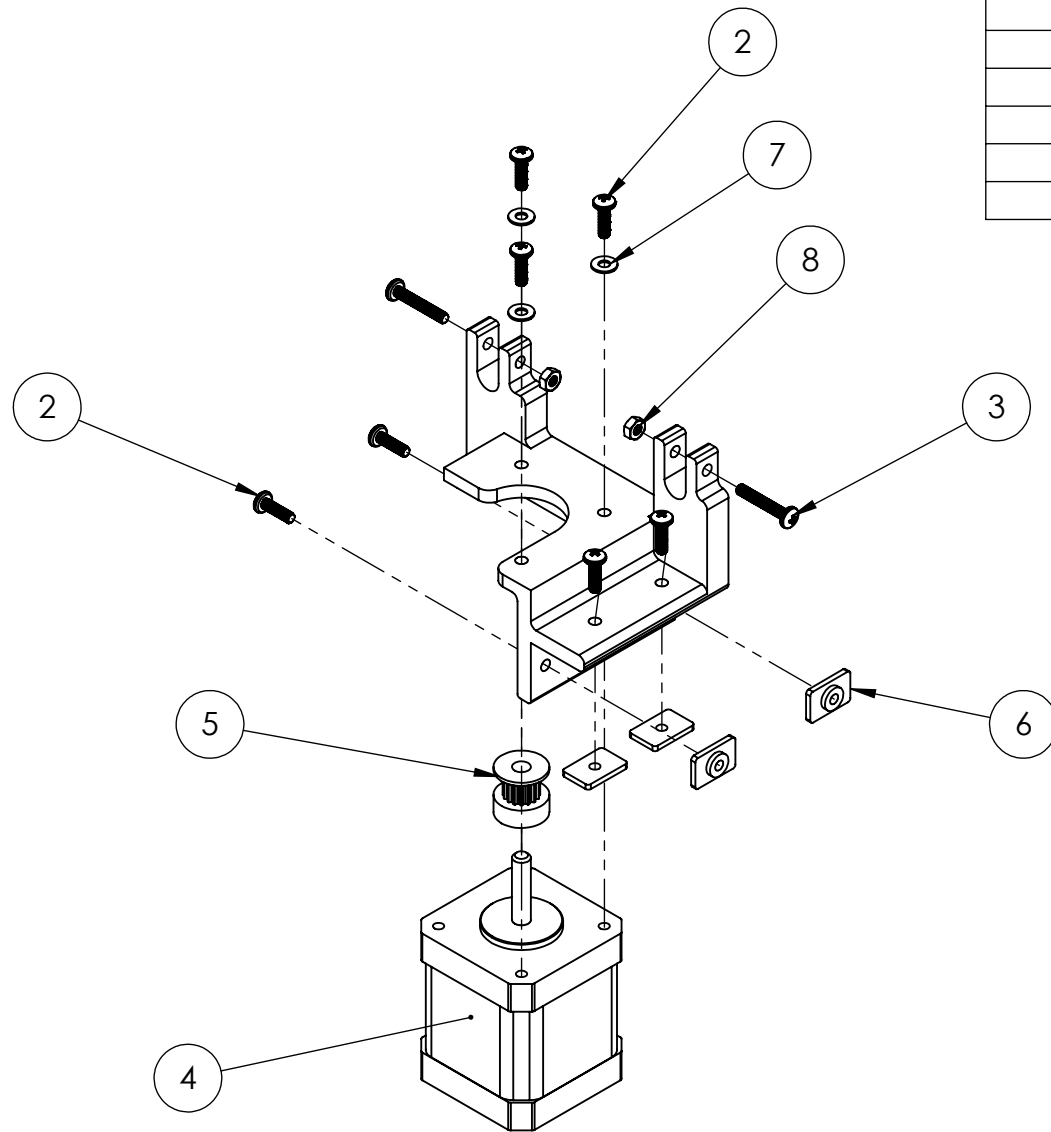


ITEM NO.	PART NUMBER	QTY.
1	Y end Aluminum 2020	1
2	M3 Pan Head x 10mm	7
3	M3 Pan Head x 18mm	2
4	NEMA17 Stepper Motor	1
5	GT2 16 teeth	1
6	Square Nuts	4
7	M3 Washer	3
8	M3 Hex Nut	2



COMMENTS:	SIZE	TITLE:	REV
	A	Y_Motor_SubAssy	
	SCALE: 1:2		SHEET 1 OF 1

5

4

3

2

1