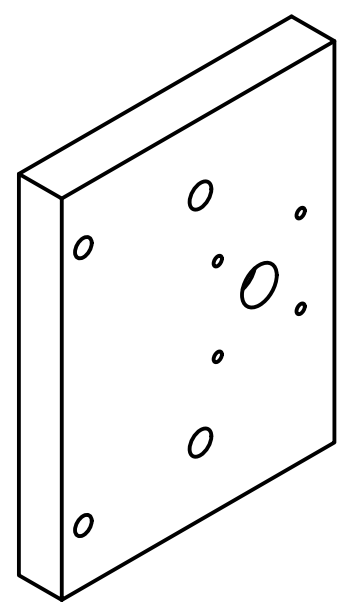
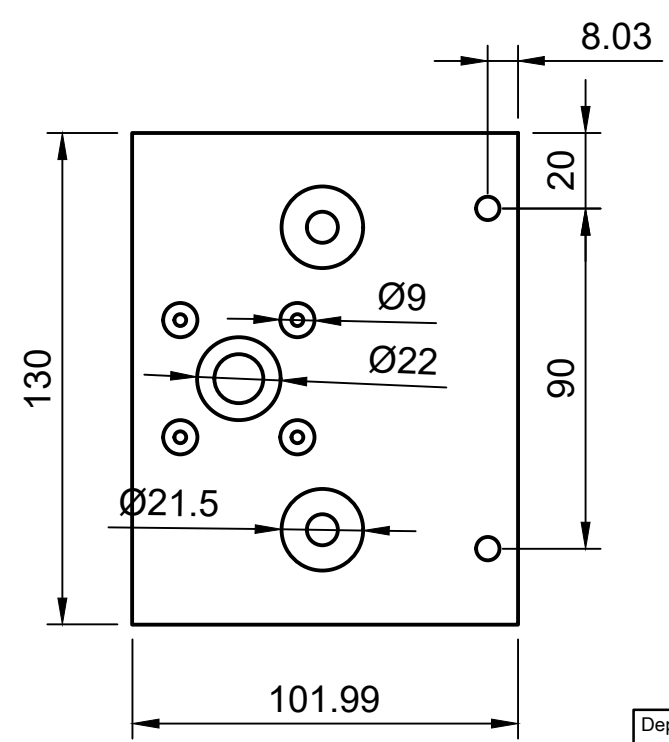
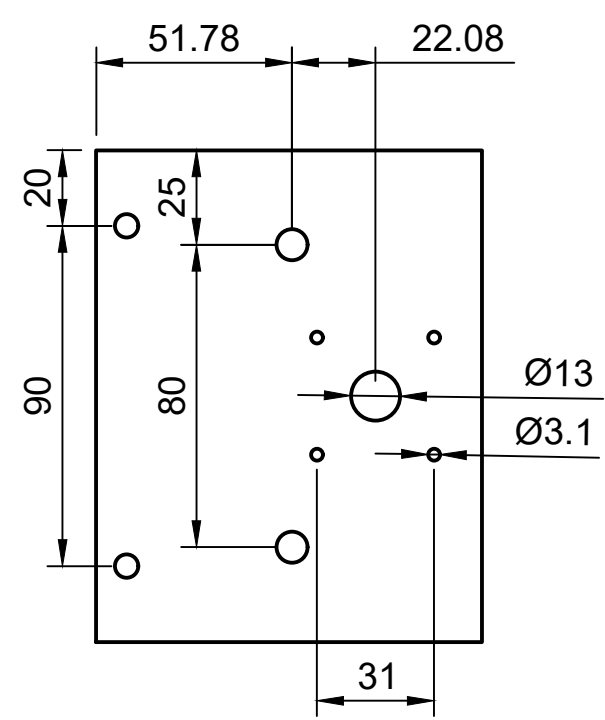
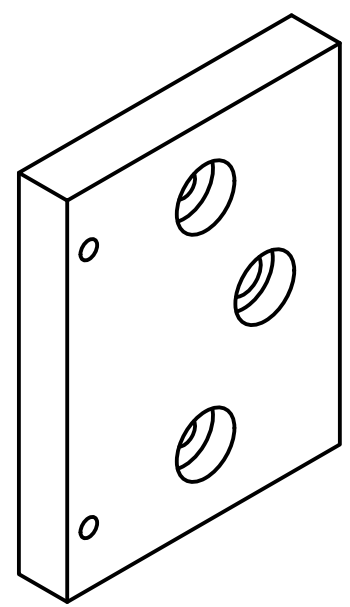
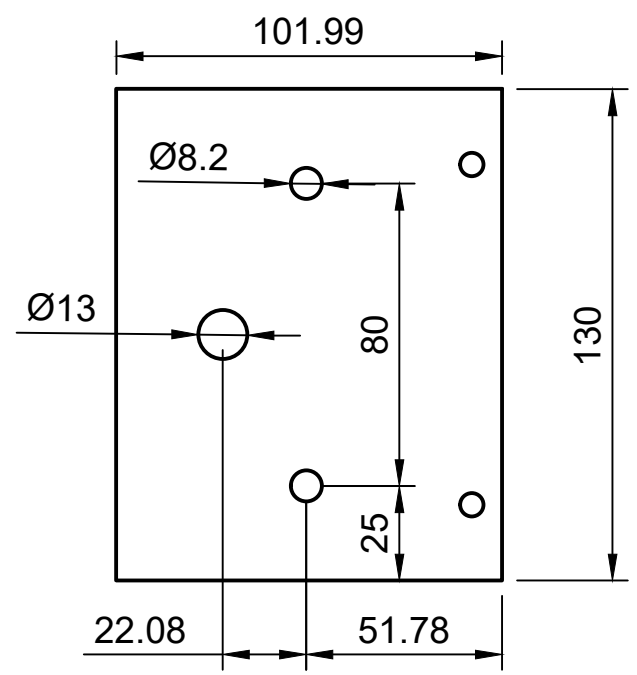
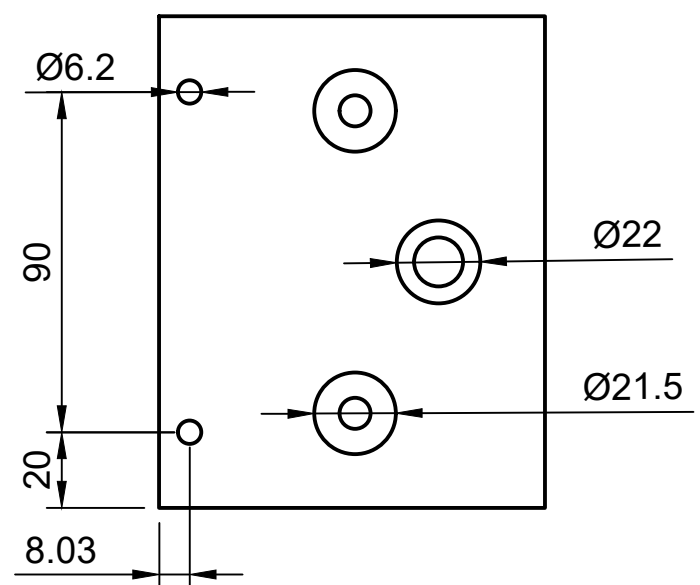


1 2 3 4 5 6 7 8

A
B
C
D
E
F

A
B
C
D
E
F



Dept.	Technical reference	Created by Mogens Nicolaisen 12-02-2017	Approved by	
		Document type	Document status	
		Title ZTopBtm	DWG No. 5	
Rev. A	Date of issue 12-02-2017	Sheet 1/1		

1 2 3 4 5 6 7 8