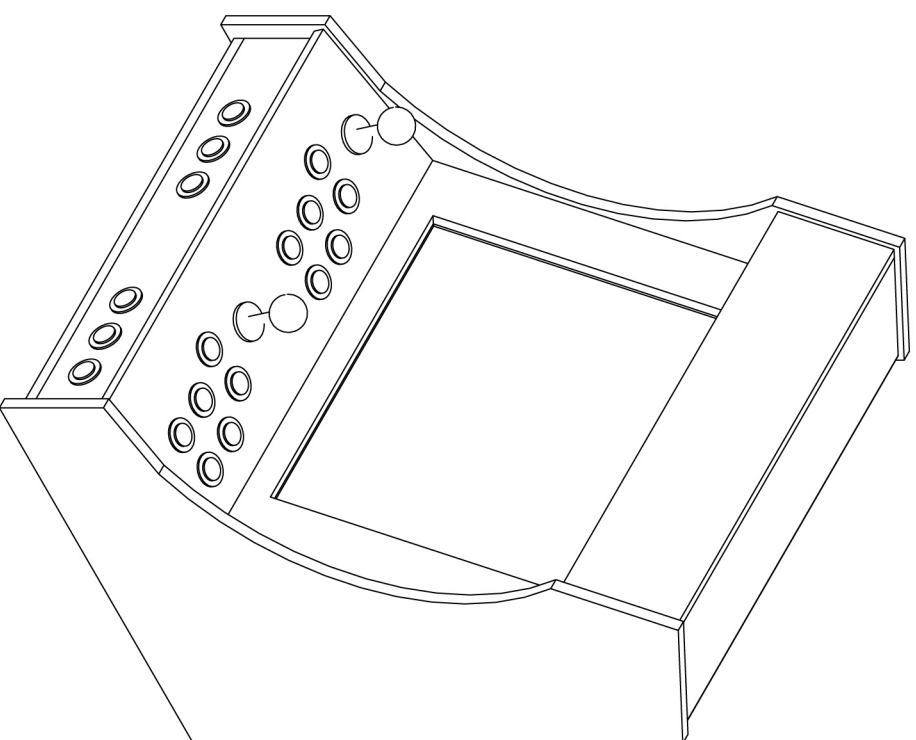
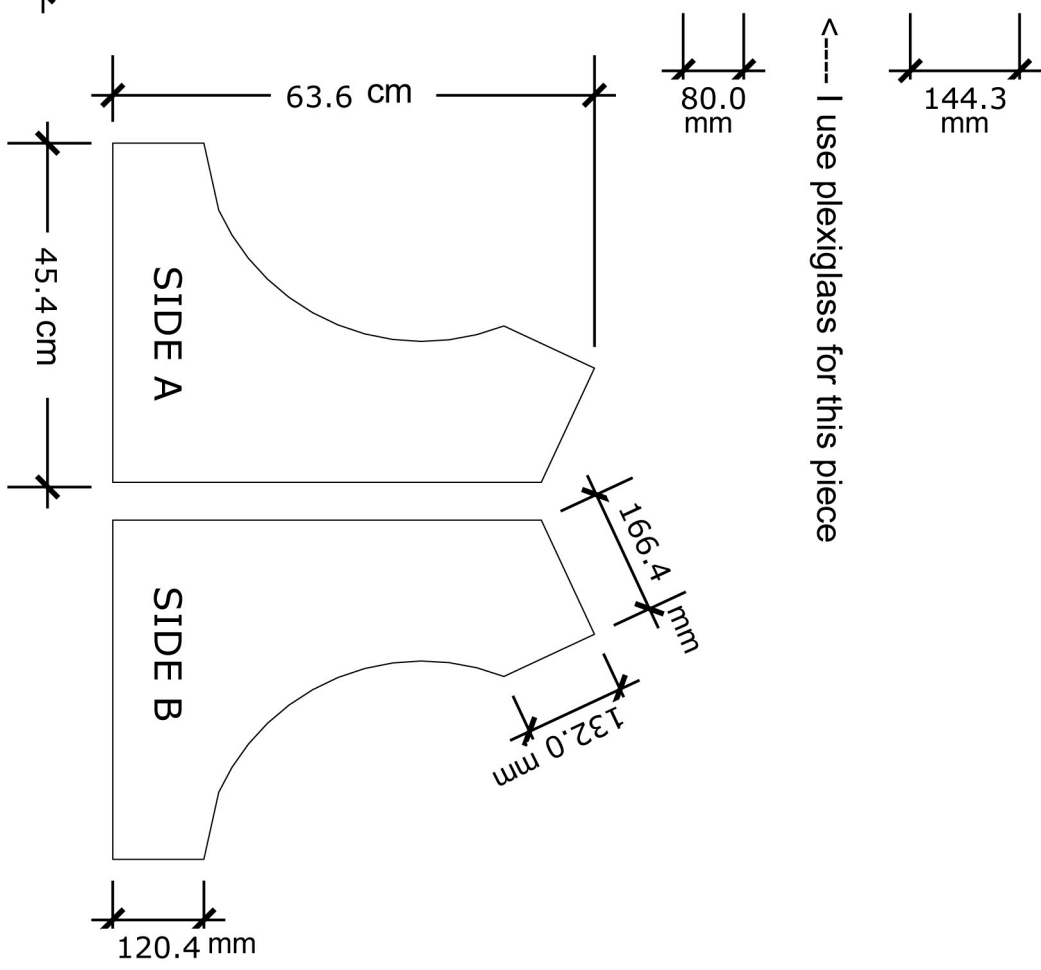
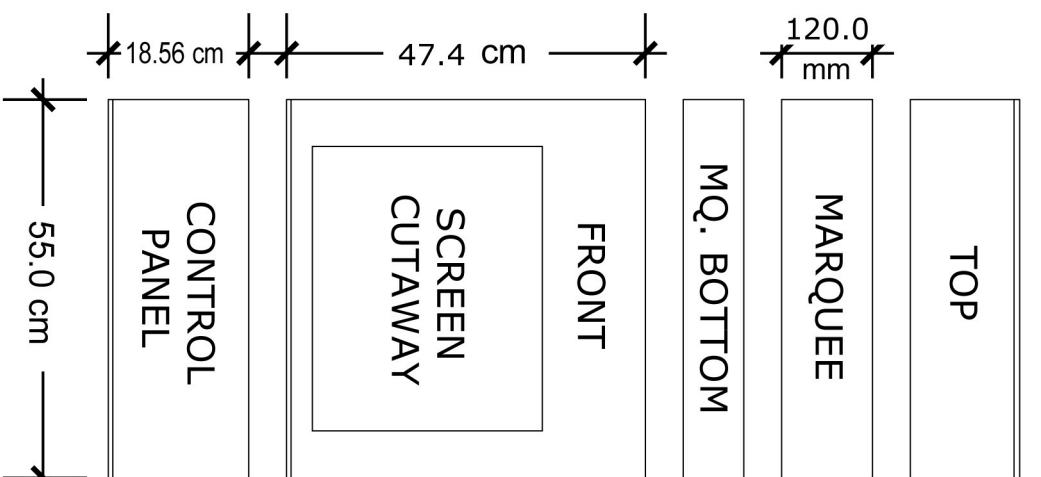
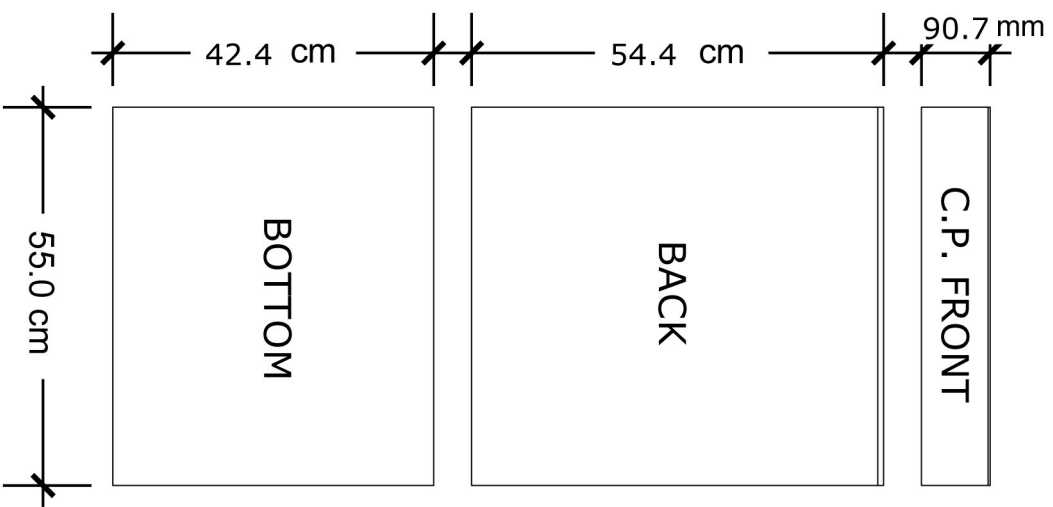


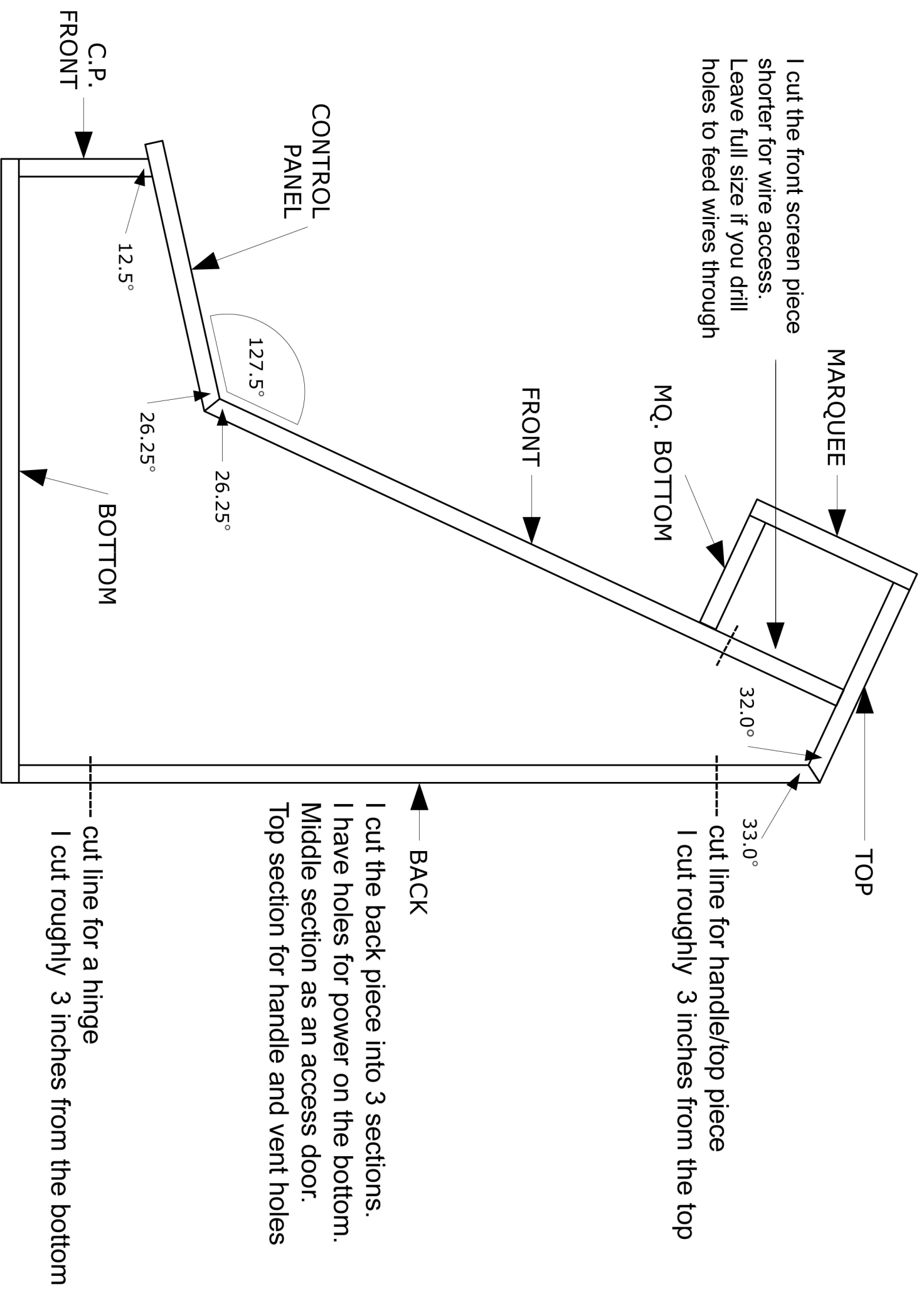
Dimensions & Angles Reference Sheet



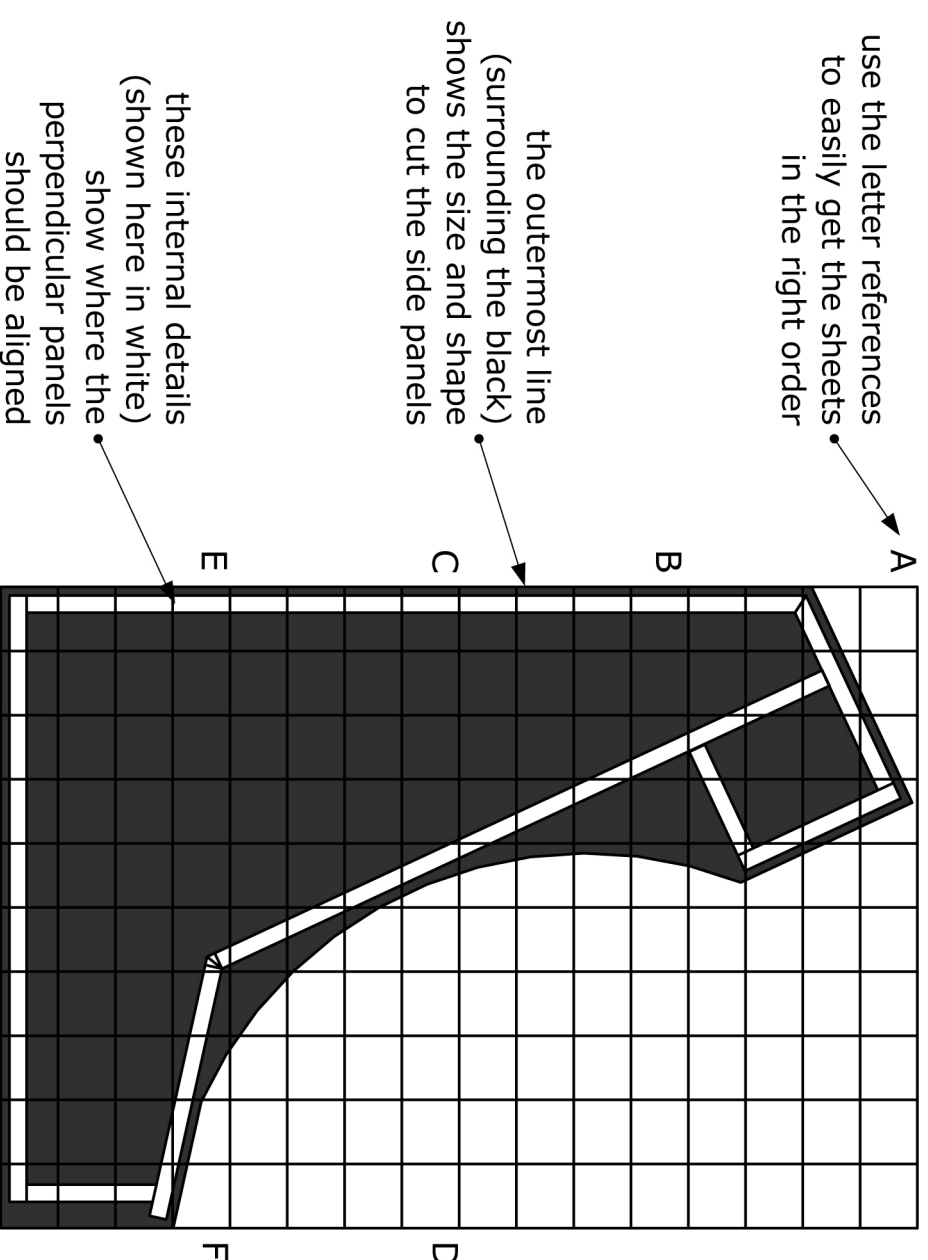
1. Print this PDF for reference
2. Cut panels to the sizes shown
3. Use a mitre saw or table saw to cut the relevant angles on the end of each panel
4. Refer to the accompanying PDF for the side panel blueprints and instructions



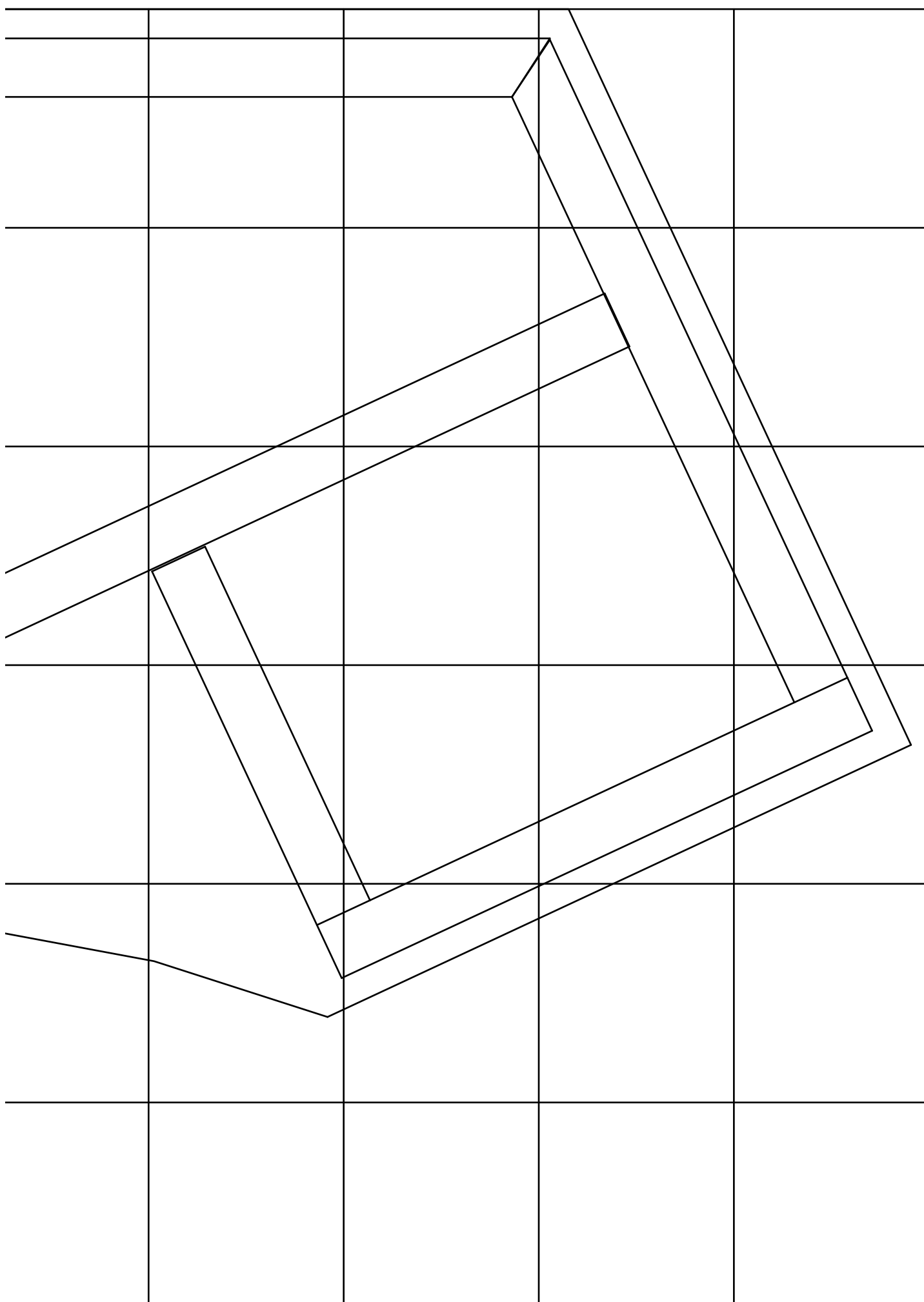
I cut the front screen piece shorter for wire access. Leave full size if you drill holes to feed wires through

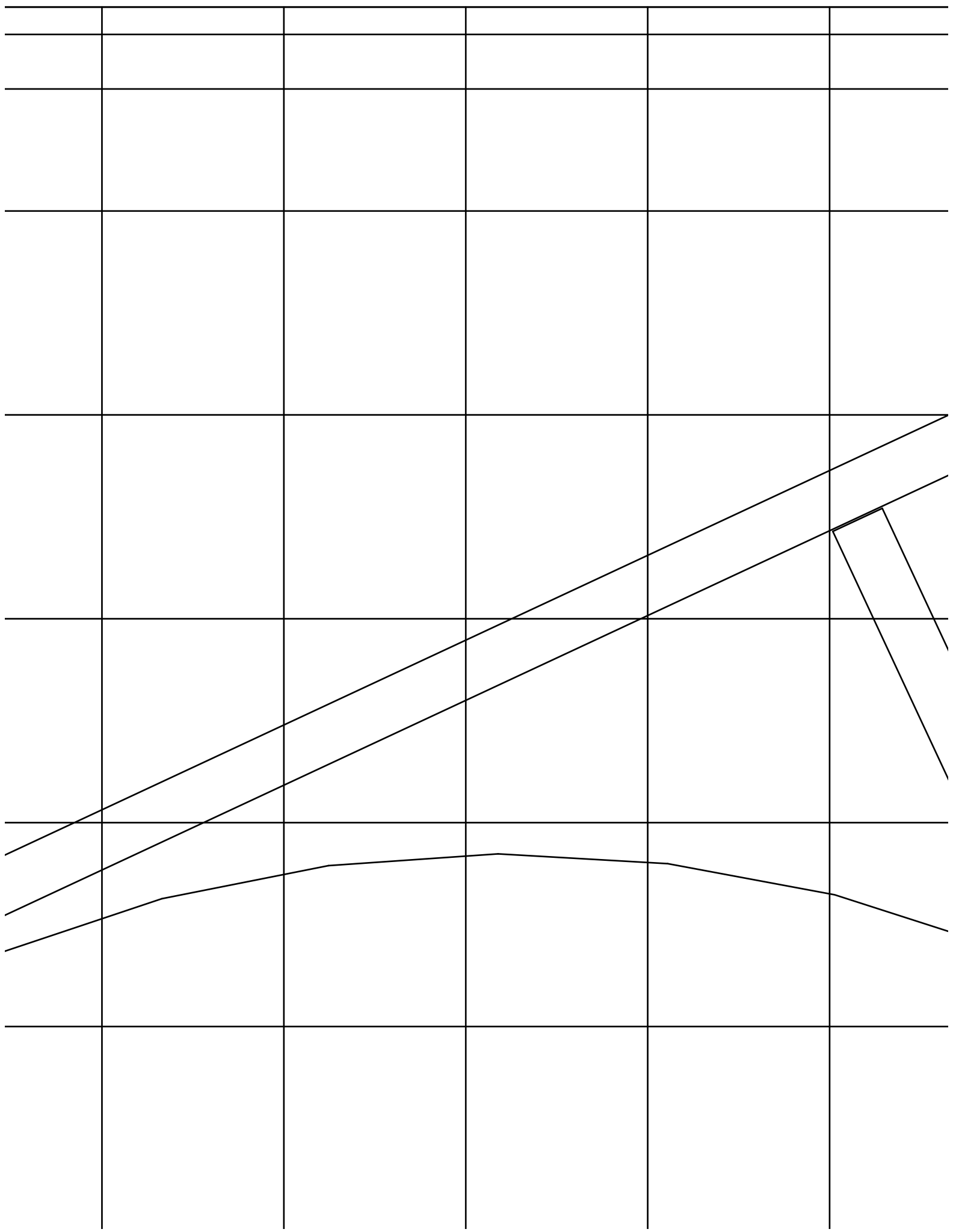


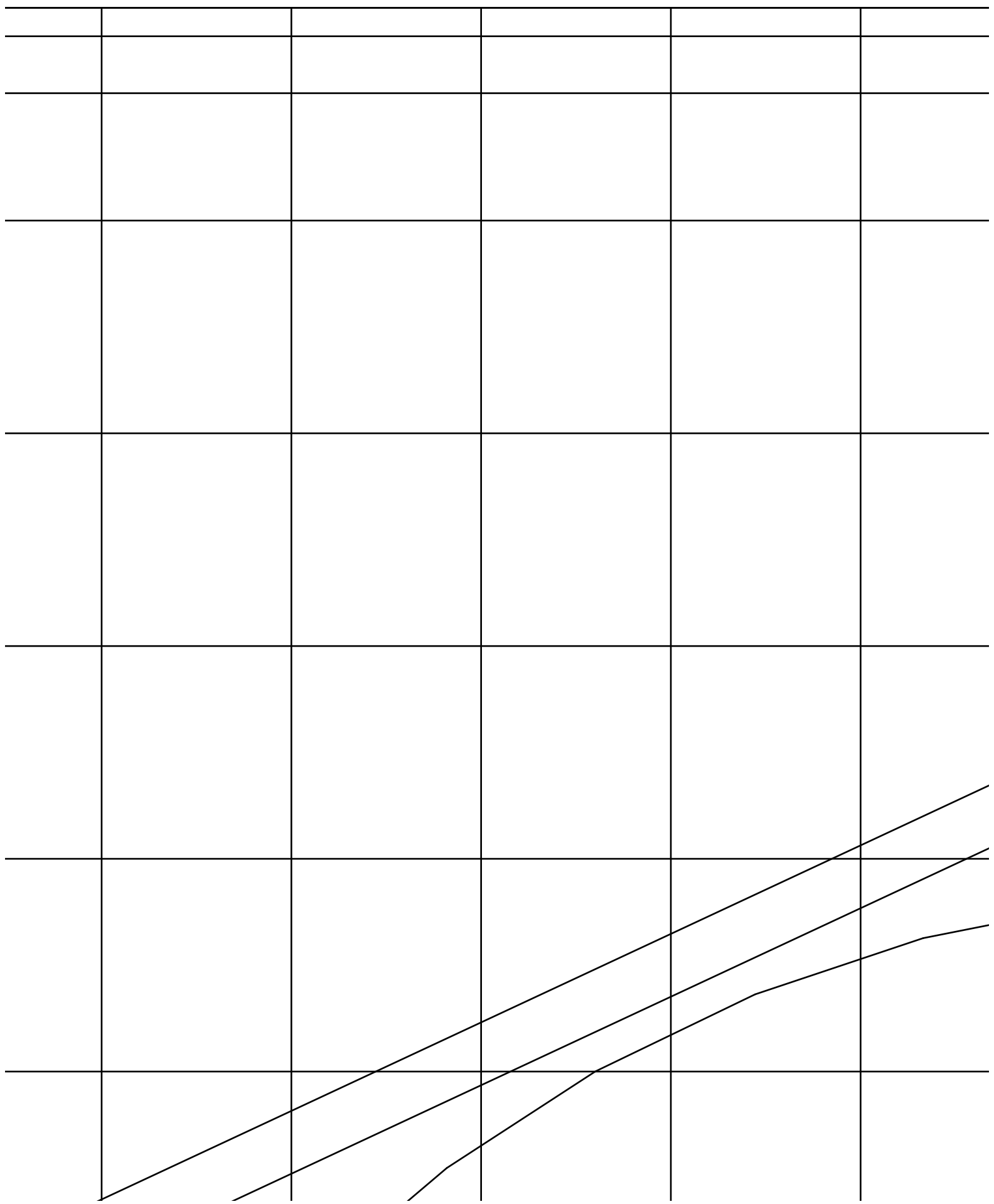
1:1 Scale Side Panel Blueprints

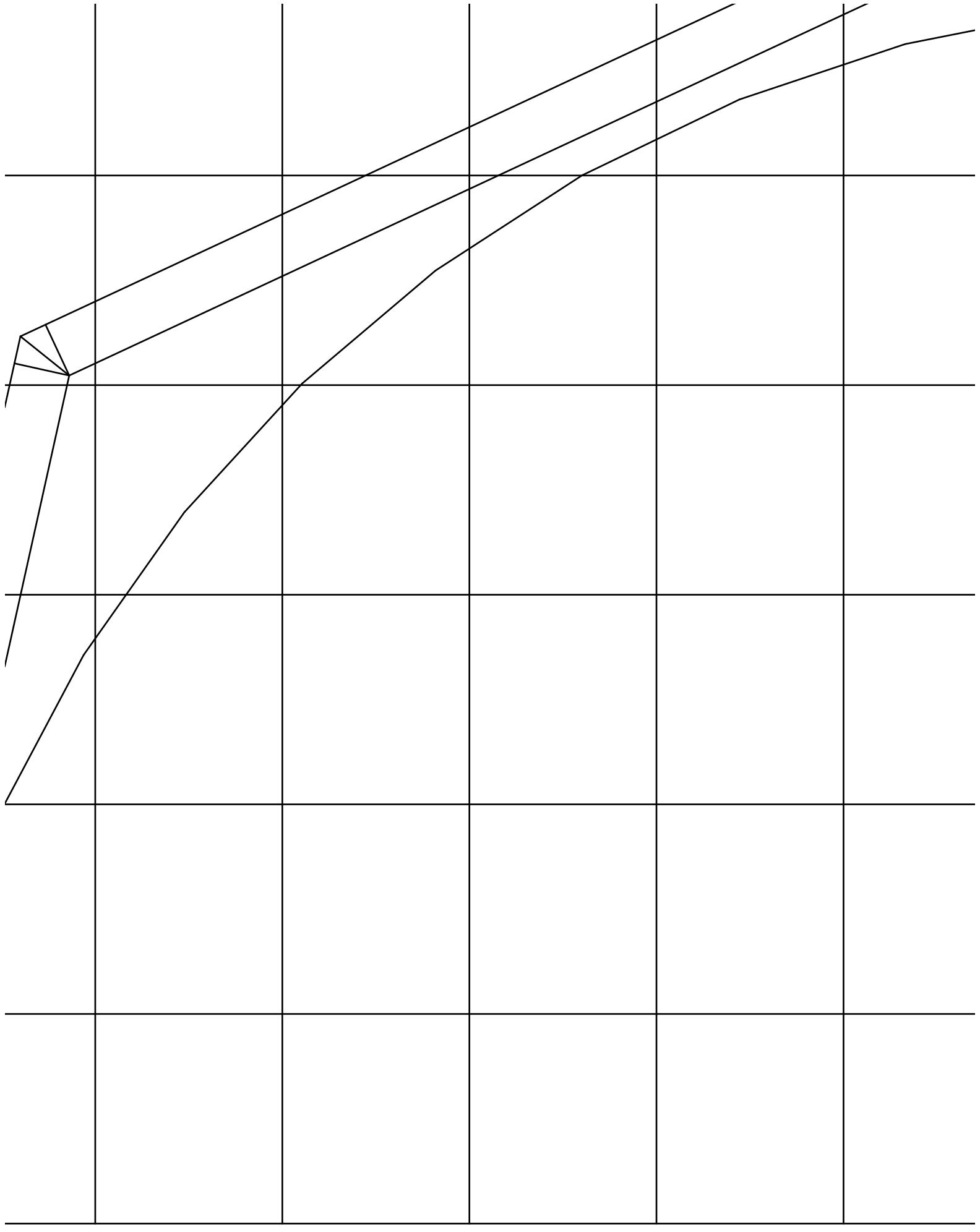


1. Print this PDF at 100% scale. I use 11x17 paper
2. Tape the six sheets together like a puzzle - there will be a lot of overlap
3. Use as template to cut side panels
4. Use again as full scale reference guide to assemble all the cut pieces

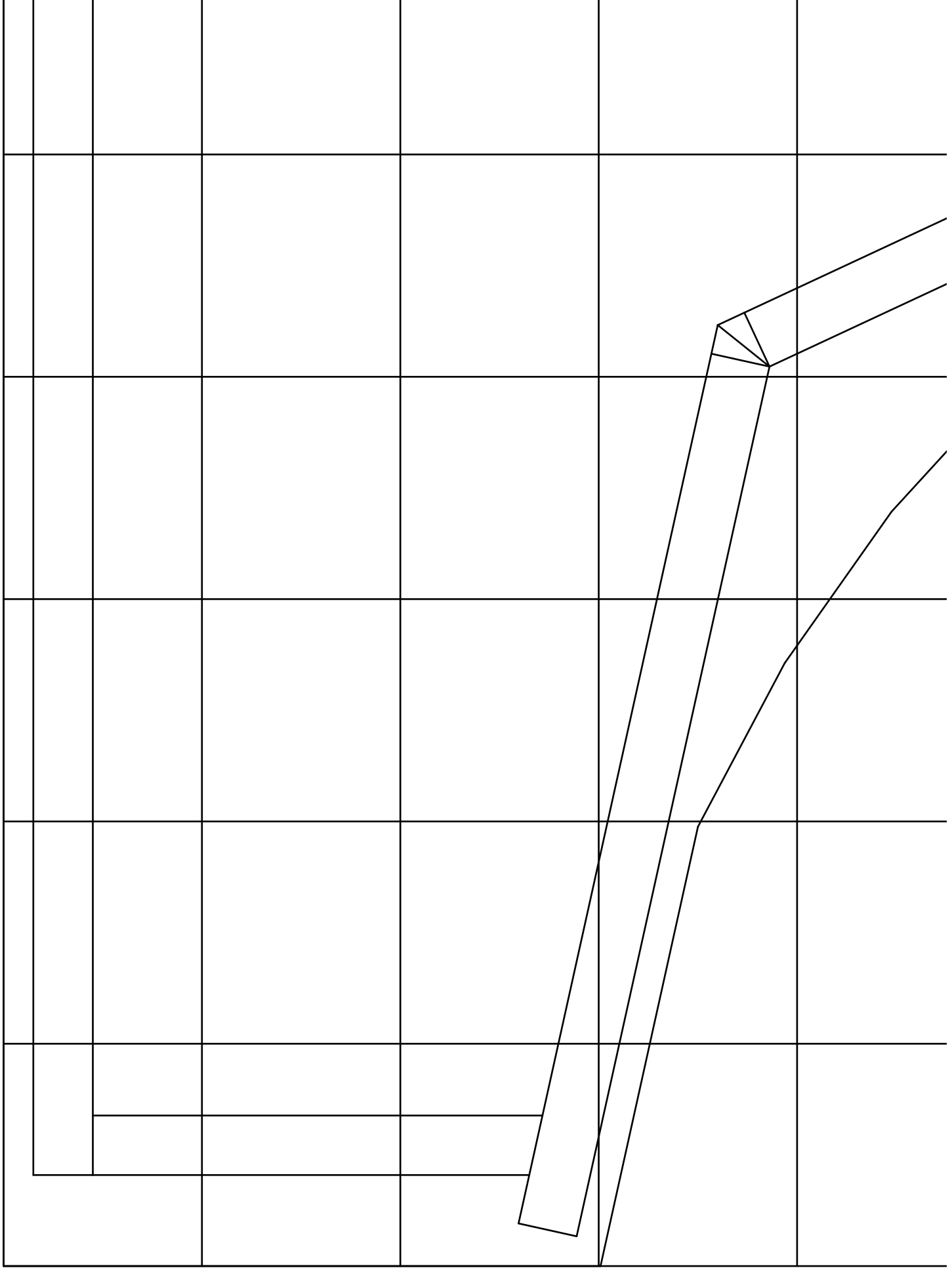








□



F

