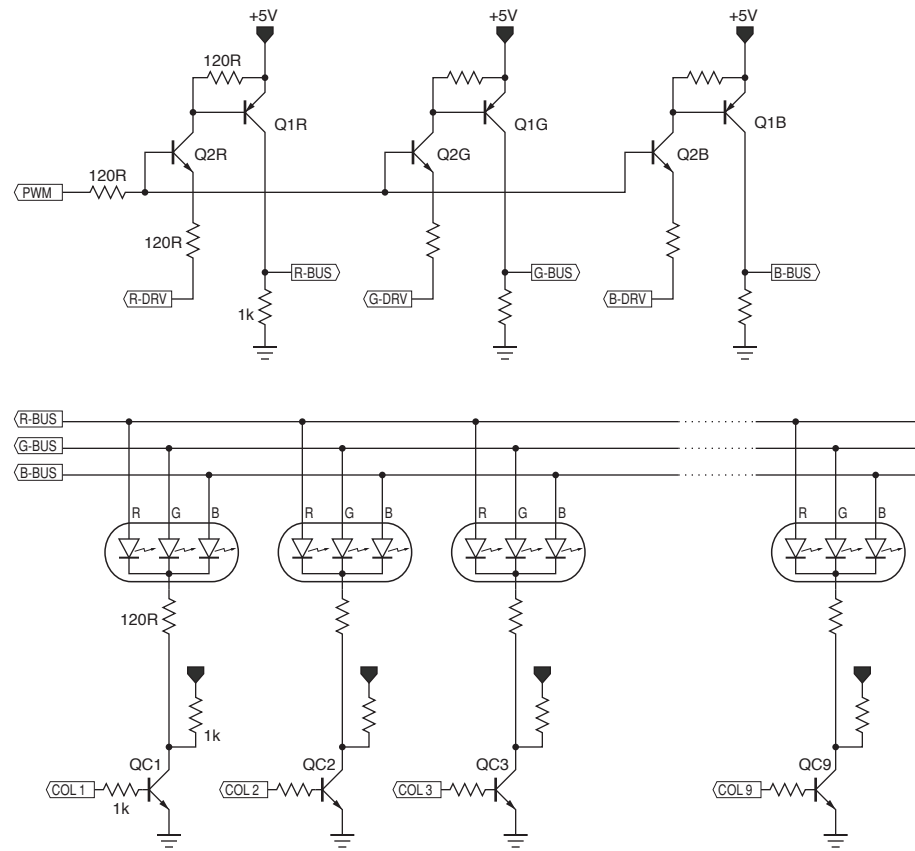
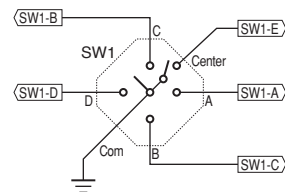
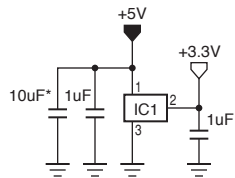


COL1 - 9 are active-high.  
 PWM is active-high.  
 R/G/B-DRV are active-low.



Q1R, Q1G, Q1B: MMBT2907A  
 Q2R, Q2G, Q2B, QC1-9: MMBT2222A

BOM		
16x 120Ohm (0603)	1x AP7333-33	1x 4-way Stick Switch SF303GJ26
21x 1k Ohm (0603)	3x MMBT2907A	9x Tricolor LED (common-cathode)
1x 10k Ohm (0603)	12x MMBT2222A	
2x 1uF (0603)	1x PIC24F08KA101 (or	
1x 10uF	PIC24F04KA201)	

Title			
Aurora 9 bar			
Date	Rev.	Sheet	1 of 1
06/06/2011	1		
Designed by Akimitsu Sadoi			