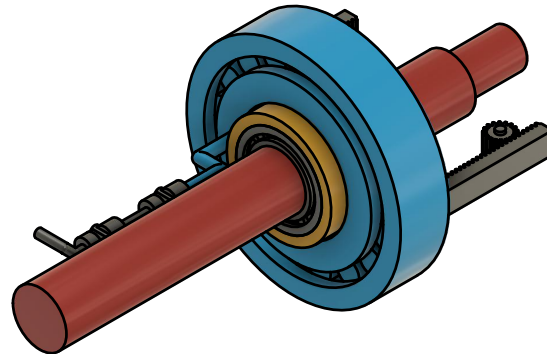
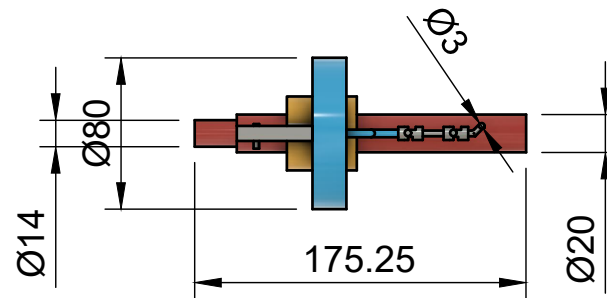
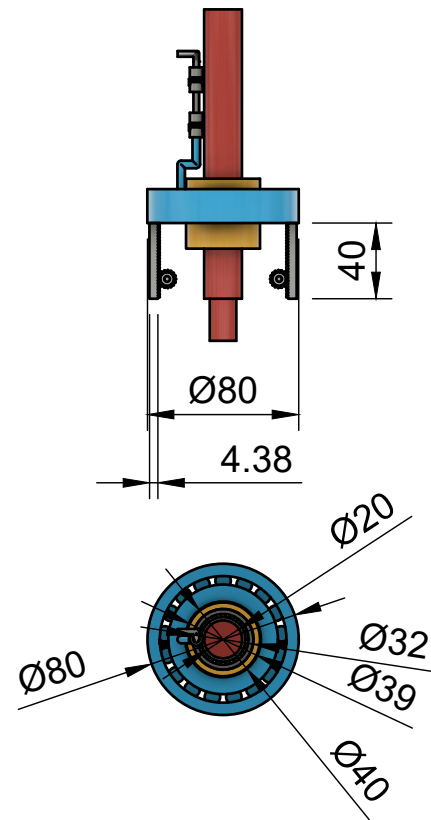


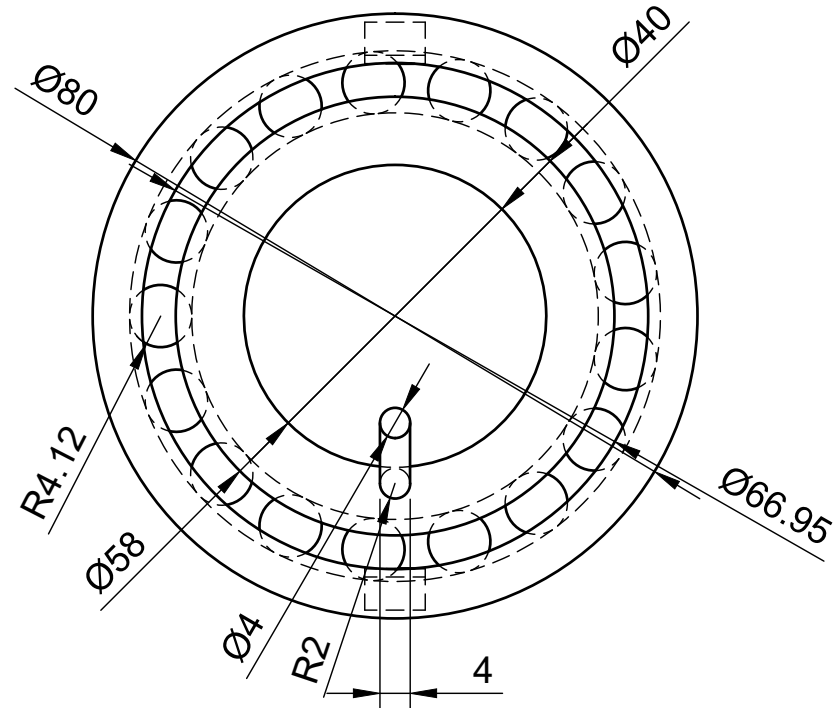
Main Axial (PM)



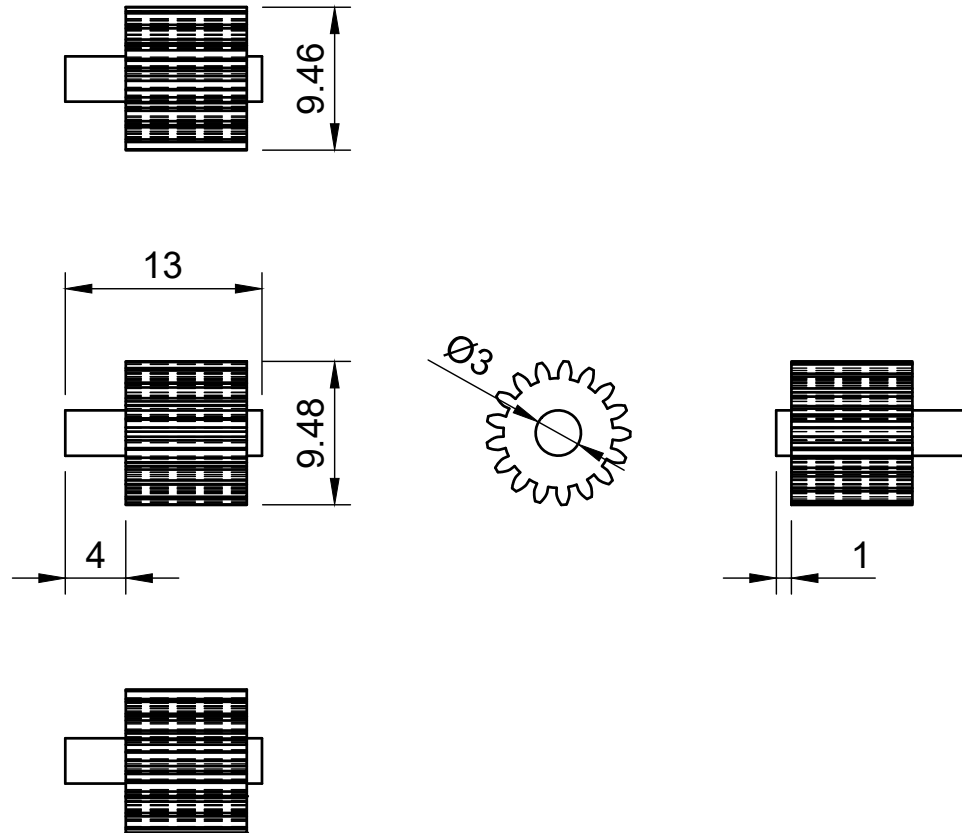
Dept.	Technical reference	Created by POIREINGANBA LOKTONGBAM 30-04-2024	Approved by	
		Document type	Document status	
		Title SP_Energia_Prototype	DWG No.	
		Rev.	Date of issue	Sheet 1/4



Dept.	Technical reference	Created by POIREINGANBA LOKTONGBAM 30-04-2024	Approved by	
		Document type	Document status	
		Title SP_Energia_Prototype	DWG No.	
		Rev.	Date of issue	Sheet 2/4



Dept.	Technical reference	Created by POIREINGANBA LOKTONGBAM 30-04-2024	Approved by	
		Document type	Document status	
		Title SP_Energia_Prototype	DWG No.	
		Rev.	Date of issue	Sheet 3/4



Dept.	Technical reference	Created by POIREINGANBA LOKTONGBAM 30-04-2024	Approved by	
		Document type	Document status	
		Title SP_Energia_Prototype	DWG No.	
		Rev.	Date of issue	Sheet 4/4