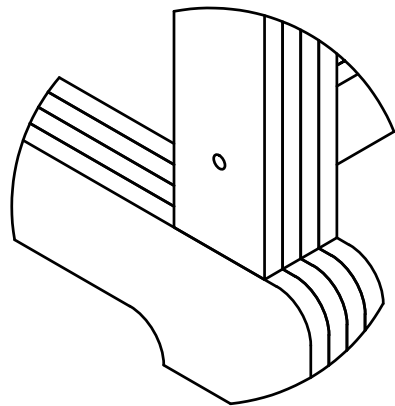
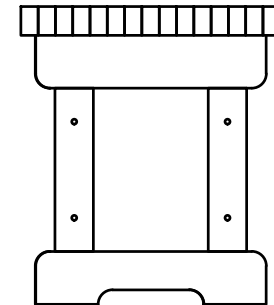
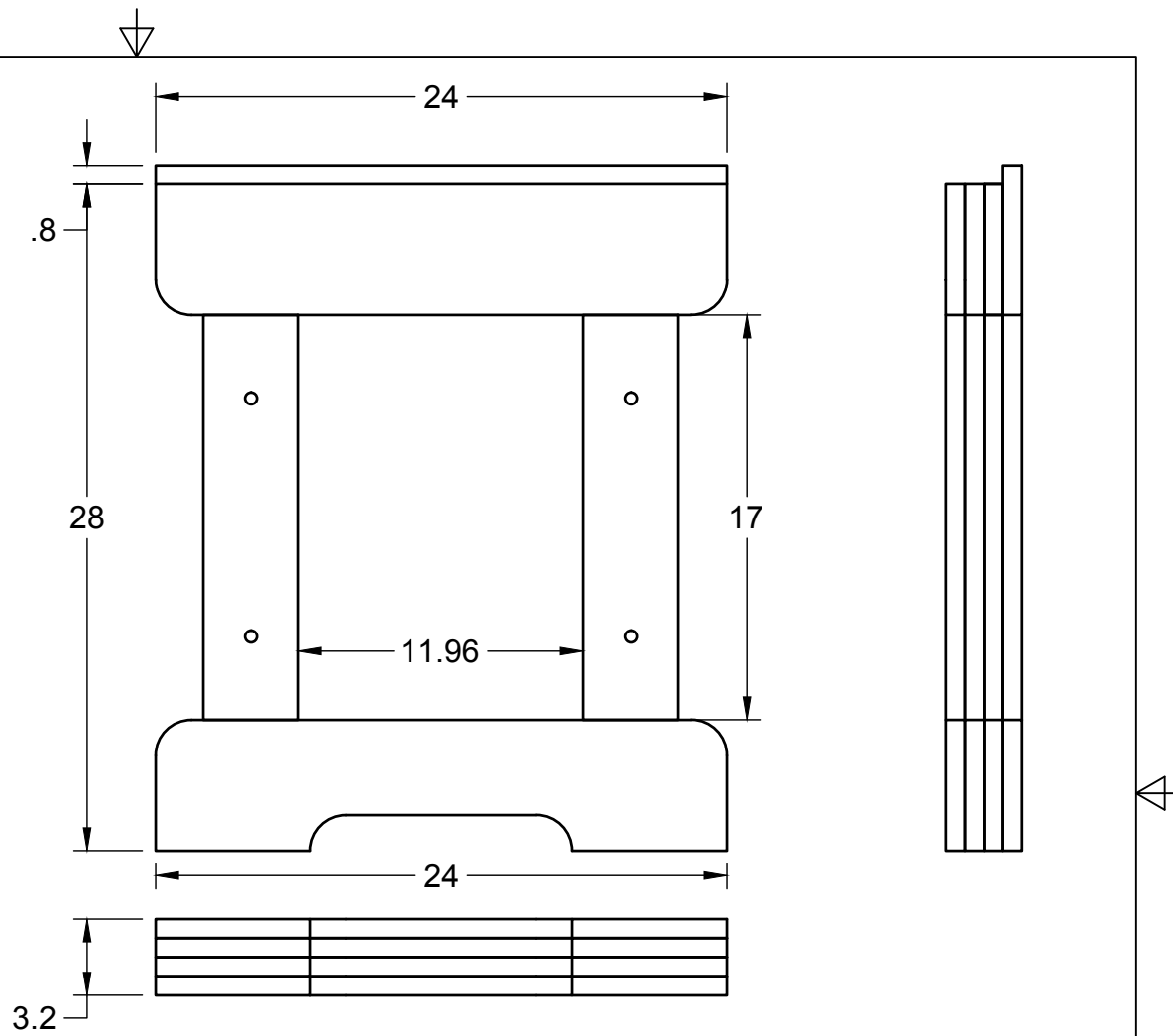
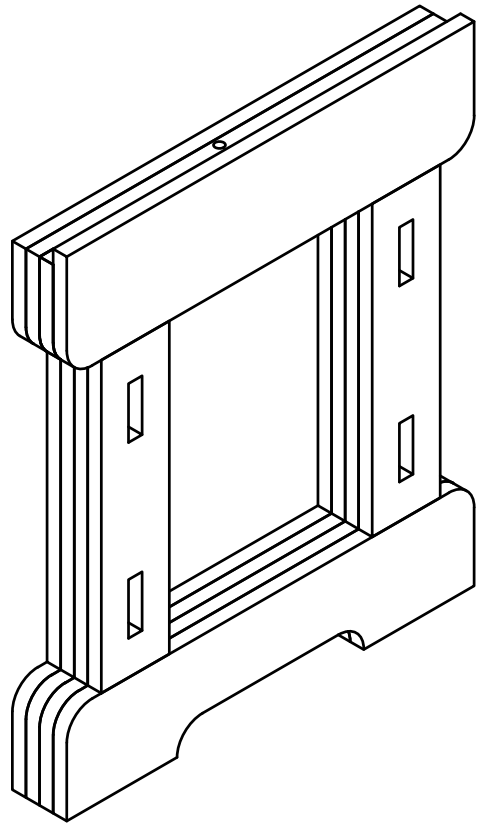


DETAIL B
SCALE 1:6

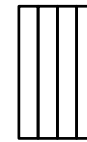
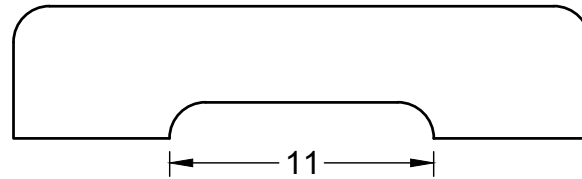
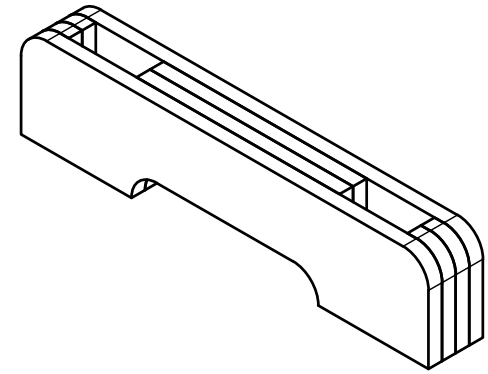
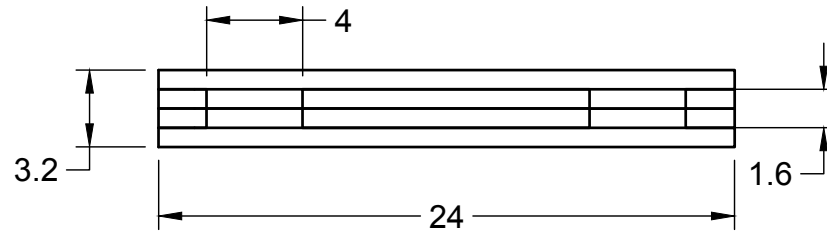


DETAIL A
SCALE 1:6

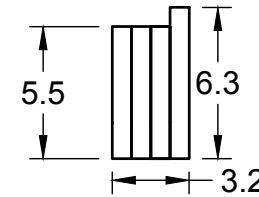
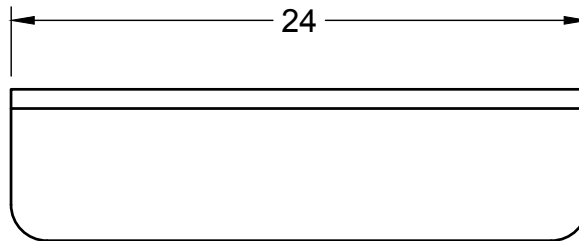
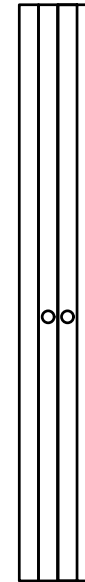
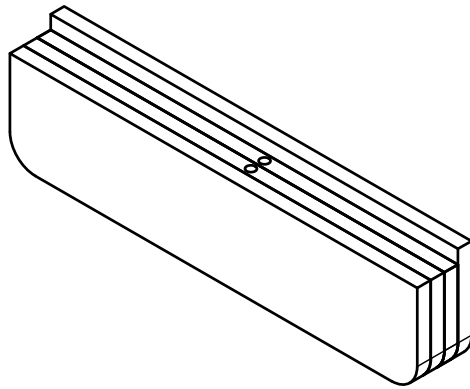
	PROJECT workbench			
	TITLE details			
APPROVED	SIZE	CODE	DWG NO	REV
CHECKED	A			
DRAWN John Wallin	5/1/2022	SCALE 1:20	WEIGHT	SHEET 1/9



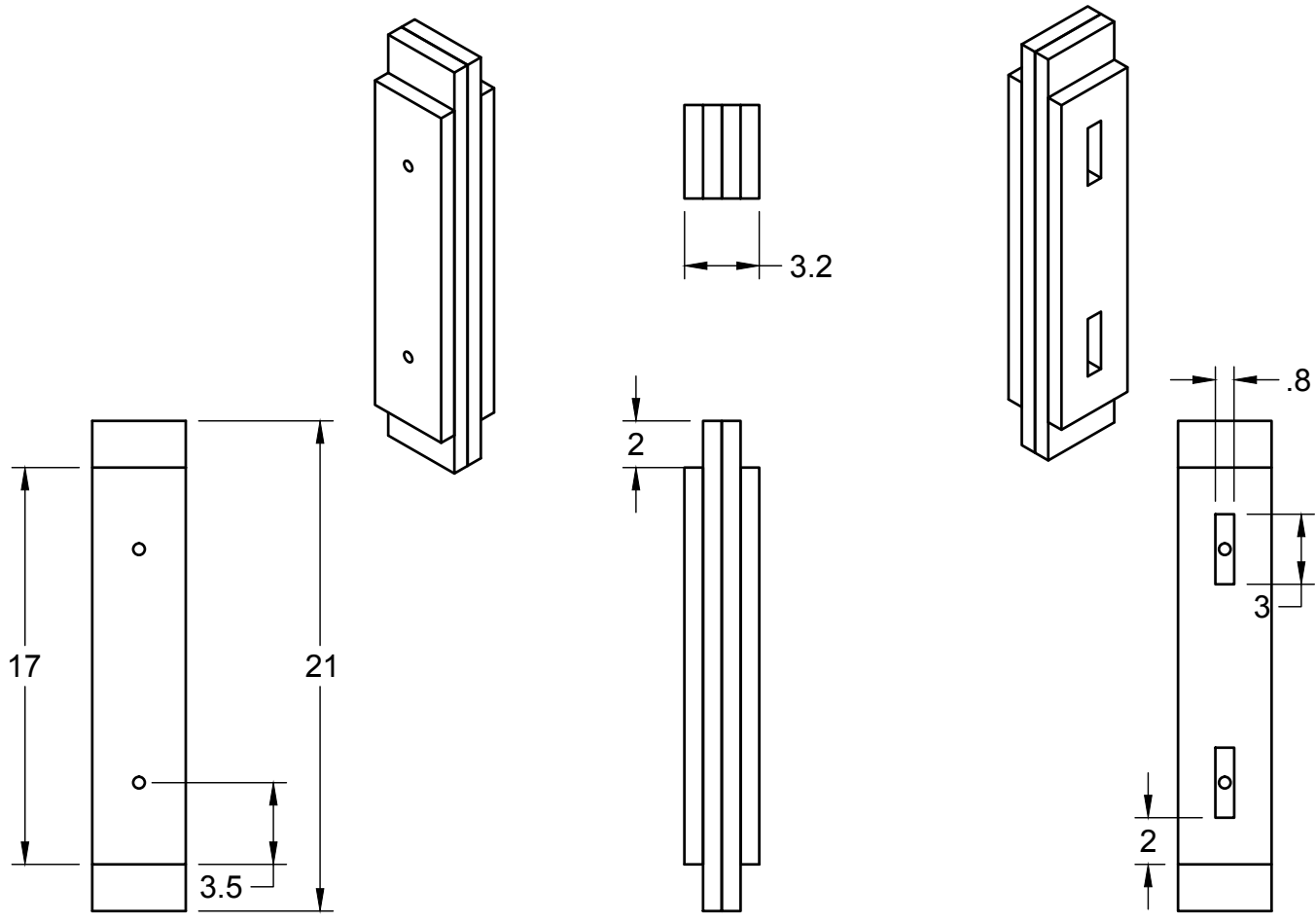
		PROJECT		
		workbench		
		TITLE		
		end assembly		
APPROVED	SIZE	CODE	DWG NO	REV
CHECKED	A			
DRAWN	John Wallin	5/1/22	SCALE 1:8	WEIGHT
			SHEET 2/9	



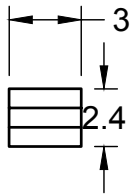
	PROJECT			
	workbench			
	TITLE			
	sled base assembly			
APPROVED	SIZE	CODE	DWG NO	REV
CHECKED	A			
DRAWN John Wallin	5/1/22	SCALE 1:8	WEIGHT	SHEET 3/9



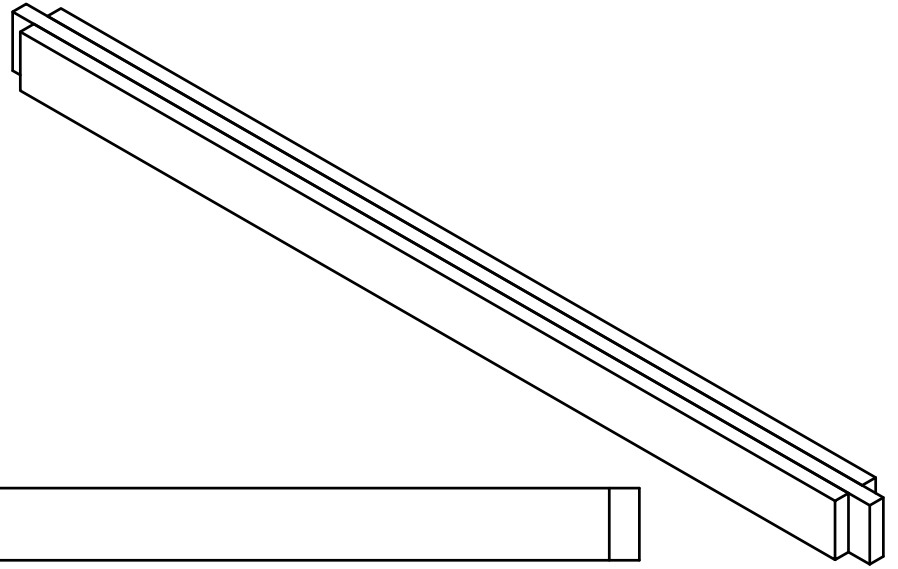
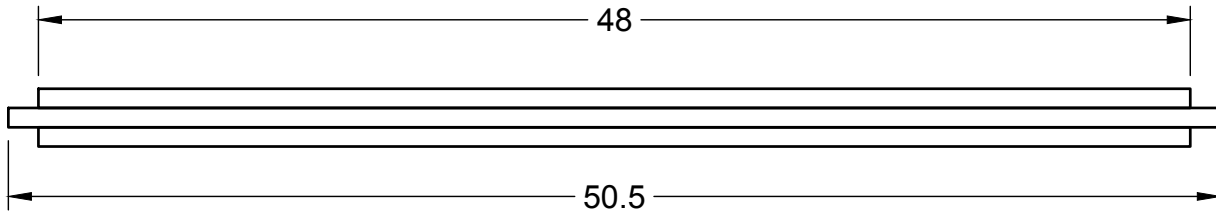
	PROJECT			
	workbench			
	TITLE			
	top support assembly			
APPROVED	SIZE	CODE	DWG NO	REV
CHECKED	A			
DRAWN John Wallin	5/1/22	SCALE 1:8	WEIGHT	SHEET 4/9



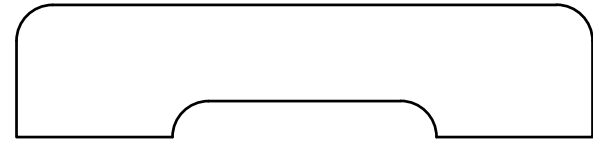
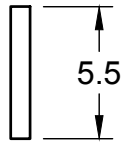
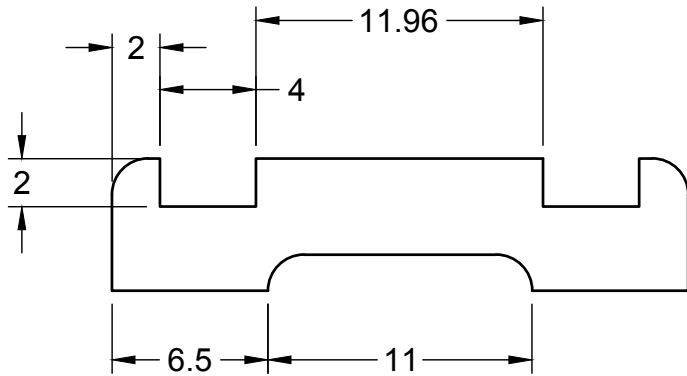
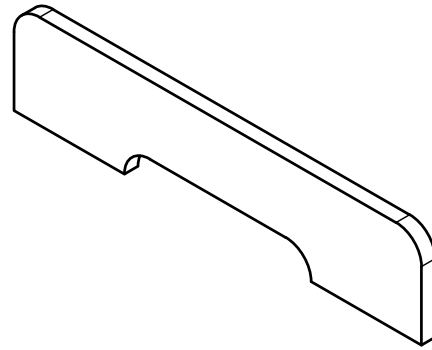
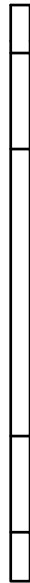
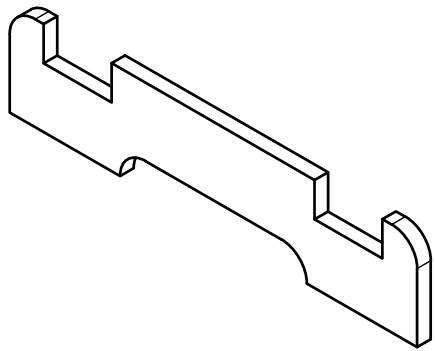
		PROJECT		
		workbench		
		TITLE		
		leg assembly		
APPROVED	SIZE	CODE	DWG NO	REV
CHECKED	A			
DRAWN	John Wallin	5/1/22	SCALE 1:8	WEIGHT
				SHEET 5/9



1.25

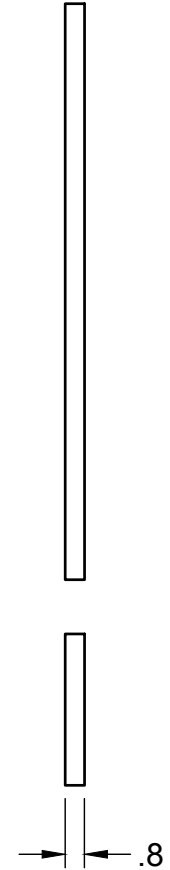
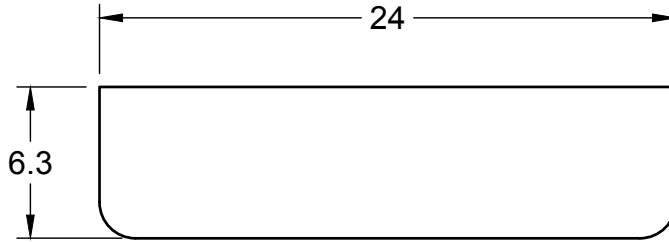
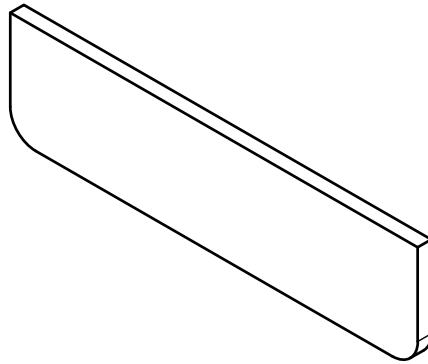


		PROJECT		
		workbench		
		TITLE		
		stretcher assembly		
APPROVED	SIZE	CODE	DWG NO	REV
CHECKED	A			
DRAWN	John Wallin	5/1/22	SCALE 1:8	WEIGHT
				SHEET 6/9



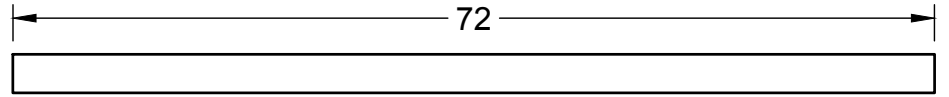
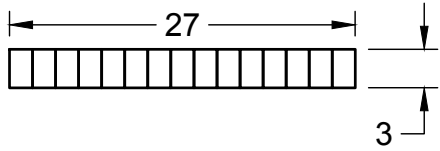
		PROJECT			
		workbench			
		TITLE			
		sled assembly detail			
APPROVED	SIZE	CODE	DWG NO	REV	
CHECKED	A				
DRAWN	John Wallin	5/1/22	SCALE 1:8	WEIGHT	
				SHEET 7/9	



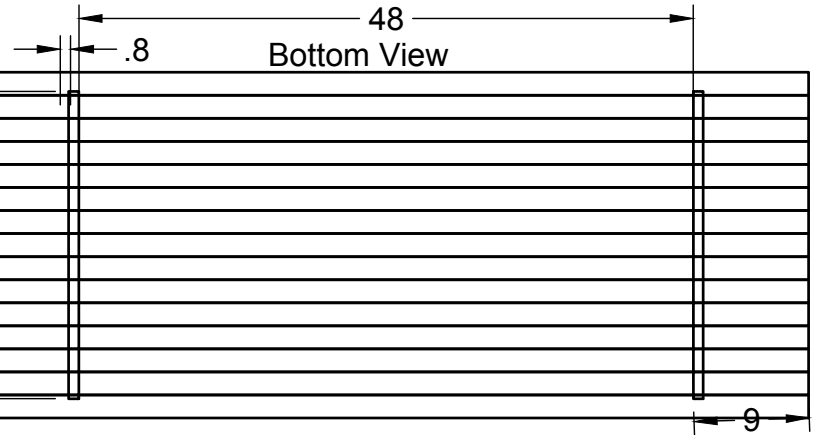
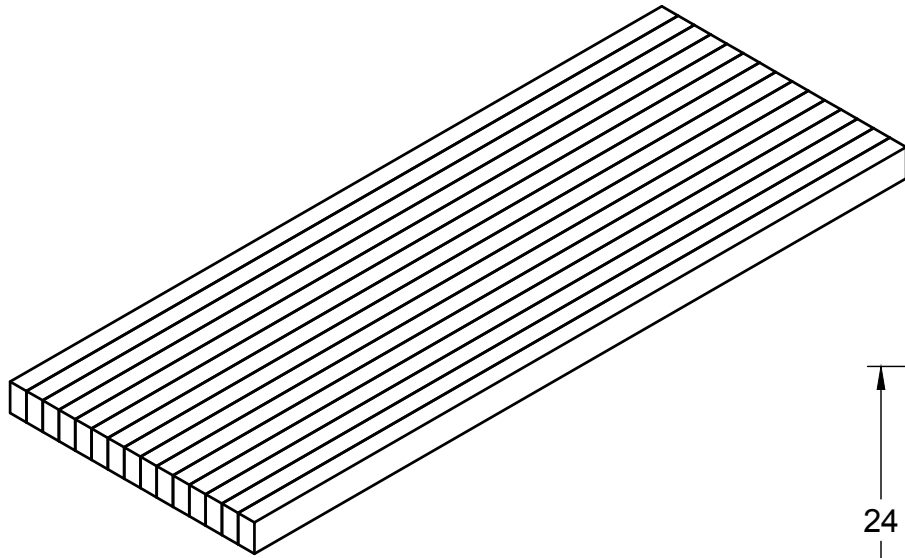
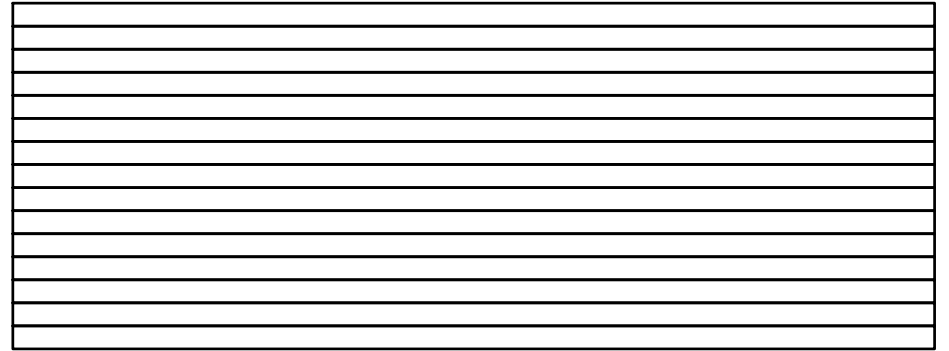


<p>This is the tenon piece for the top support. The three other pieces are the same as those used in the sled assembly.</p>	PROJECT			
	<p>workbench</p>			
	TITLE			
	<p>top assembly detail</p>			
APPROVED	SIZE	CODE	DWG NO	REV
CHECKED	A			
DRAWN John Wallin	5/1/22	SCALE 1:8	WEIGHT	SHEET 8/9





Top view



Bottom View

		PROJECT			
		workbench			
		TITLE			
		bench top assembly			
APPROVED	SIZE	CODE	DWG NO	REV	
CHECKED	A				
DRAWN John Wallin	5/1/22	SCALE 1:15	WEIGHT	SHEET 9/9	