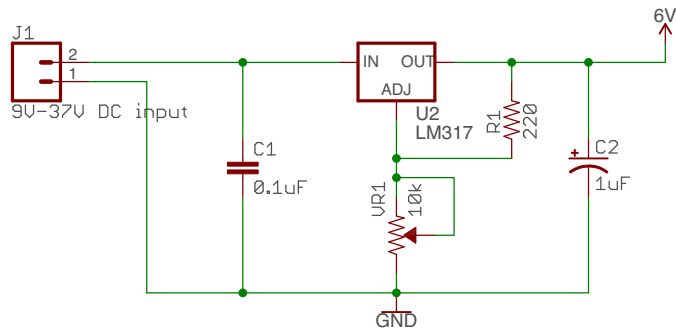


### Power supply (Voltage regulator)

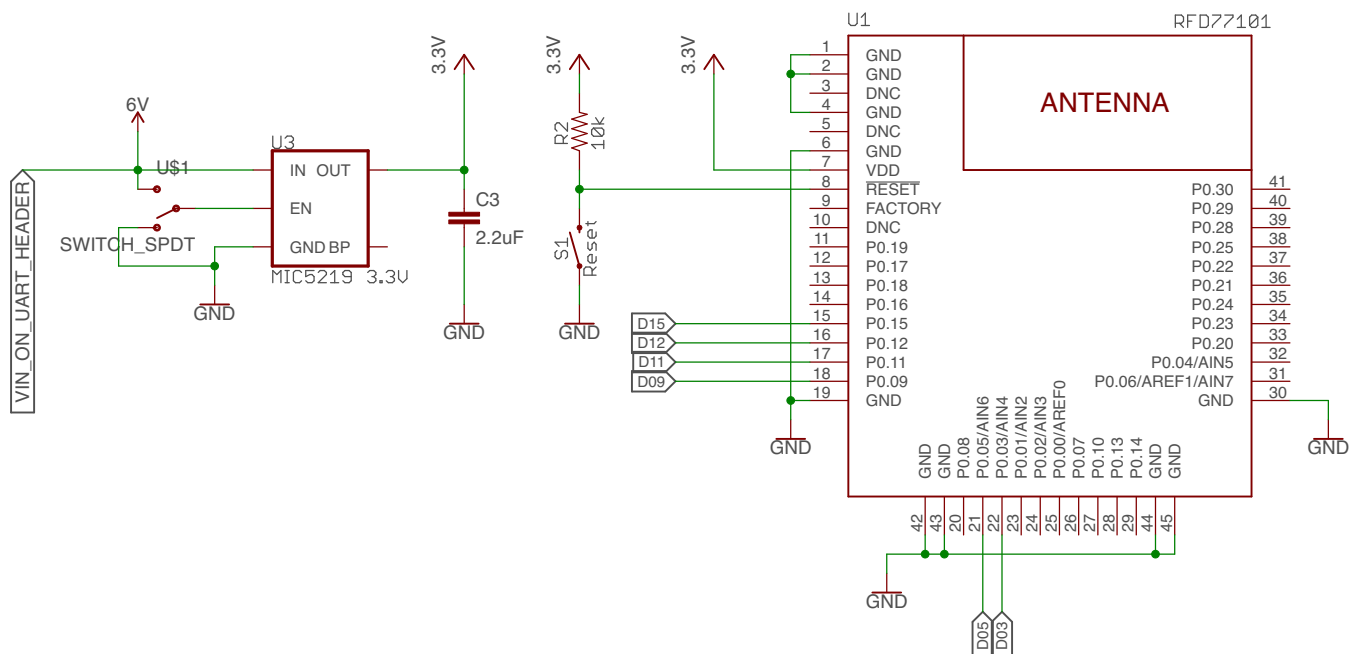


### BlindsController (Tech-Magic Project)

by sann-i-t

Rev 2.0

### LilyPad Simblee



### Motor Drivers

