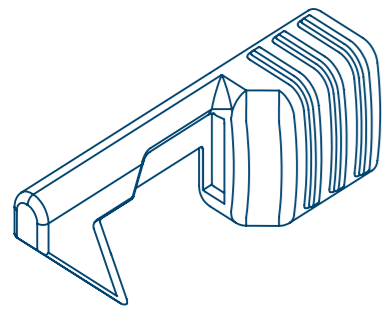
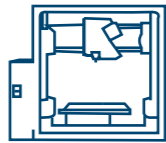


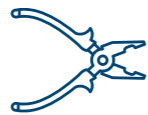
# Box opener



## Tools:



3D printer



pliers



PLA

## Download files:



box opener.stl

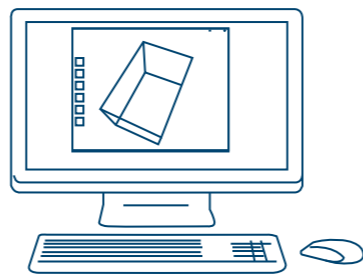
## Direction:

1.



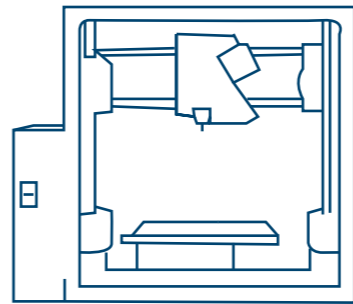
Download the file

2.



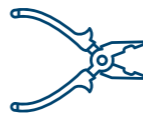
print set up: material: PLA  
laye height: 0.15  
infill: 20%

3.



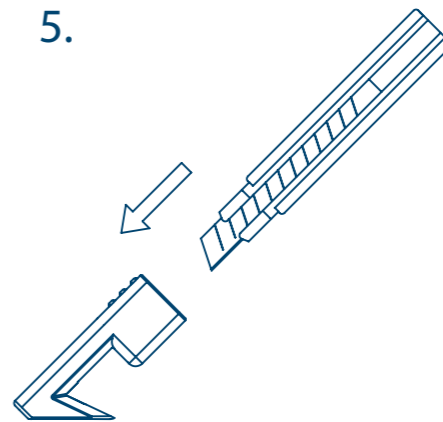
4.

Print



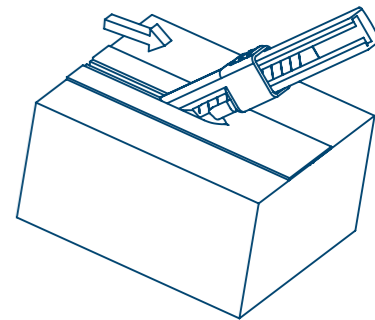
Clean 3D Printed Supports

5.



Insert knife into add ons

## How to use:



Open the package by cutting  
the tape in a swift motion  
towards yourself