




RFTECH: Woofer Box Wizard


Calculate internal air space available for your woofers. Select an *enclosure type*, choose a *unit of measure* and *wood thickness*, then input your *dimensions*. The Woofer Box Wizard will calculate how much internal air space is available for your woofer(s).

1 Enclosure Type

Rectangular


Wedge


Wedge 2


Hexagon


2 Unit of Measure

 Standard (inches & cubic feet)
 Metric (centimeters & liters)

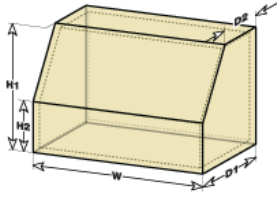
3 Wood Thickness

 12mm MDF 18mm MDF
 16mm MDF 25mm MDF

4 Measurement Method

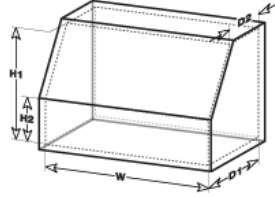
Outside Dimensions (Gross)

Inside Dimensions (Net)



H1=	75	W=	52	D1=	45
H2=	20	D2=	25		

(Enter centimeters)



H1=		W=		D1=	
H2=		D2=			

(Enter centimeters)

5 Internal Vb

110.01 Liters

▶ CALCULATE

[PRINTER FRIENDLY](#) [EMAIL A FR](#)

NOTE: Subtract any volume displaced by dividers, braces & vents.