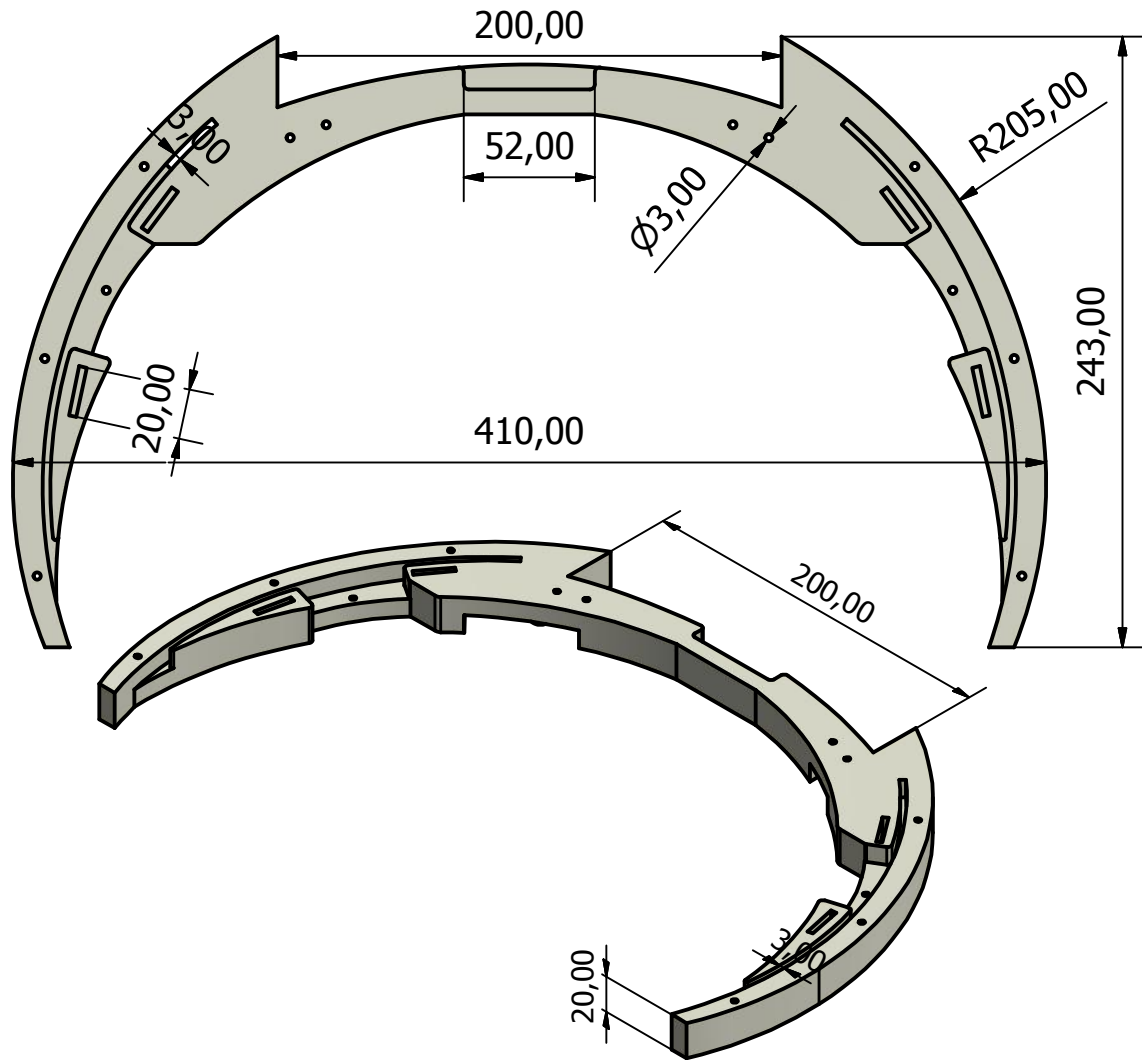
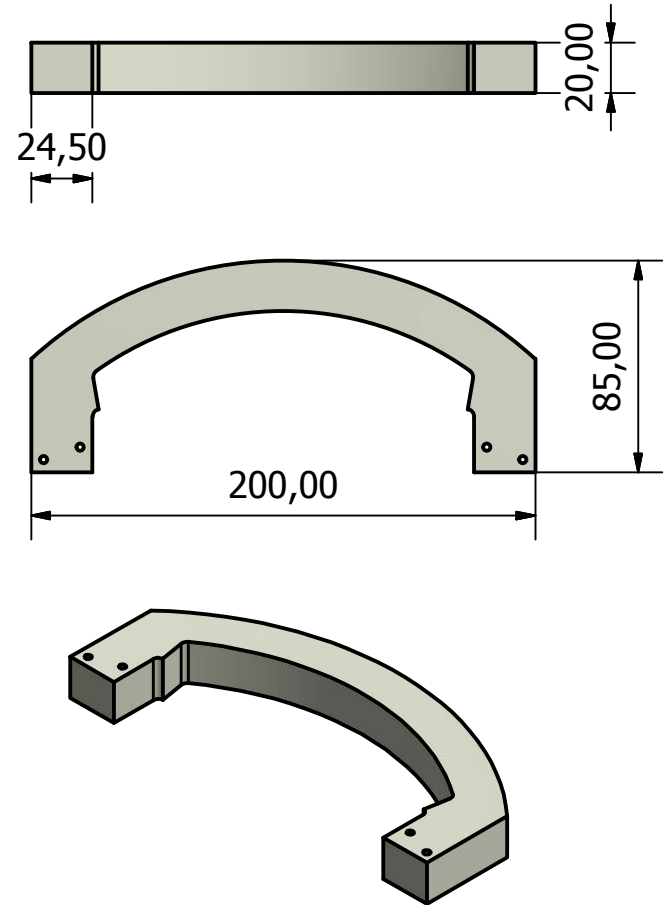


# Case Holder



# Handle



Designed by	Checked by	Approved by	Date	Date	
Bakhtiar Ramadhan				8/16/2016	

Mechatronics Engineering - PENS	General Dimension		
	PENS-Wheel	Unit Milimeter	Sheet 5 / 8