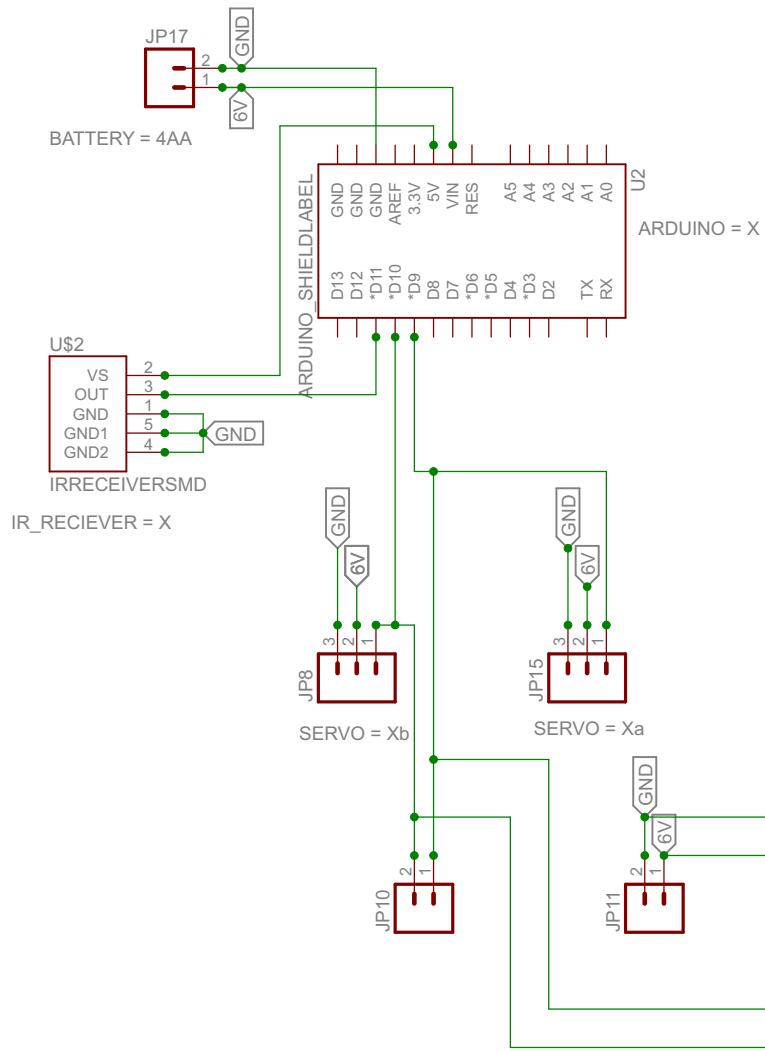
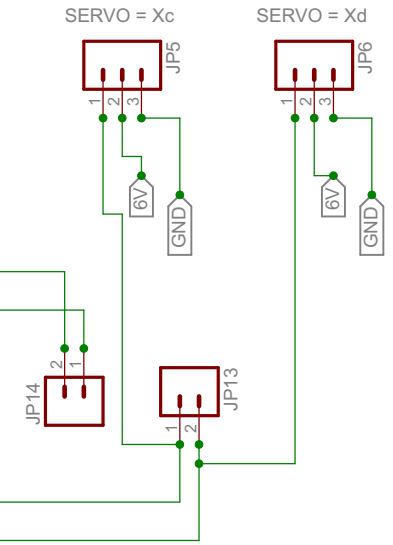


First X axis board



Second X axis board

this is a long cable (telephone cord)



Board for Y and Z axis, and Claw

