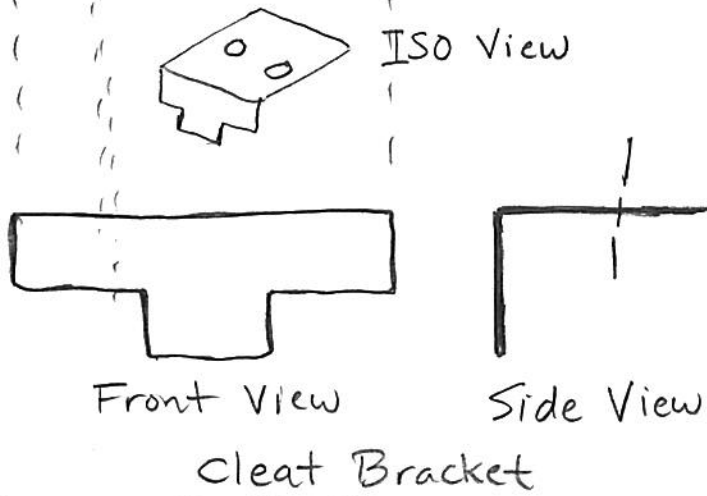
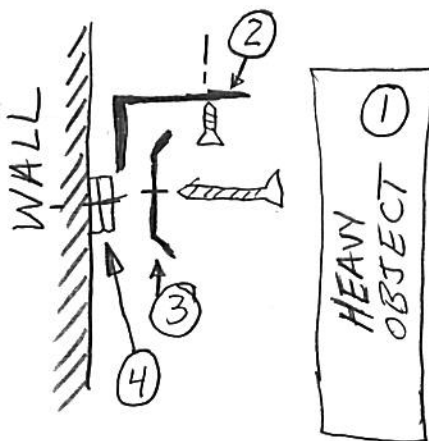


Mount to wall with flat washers behind bracket to make a pocket for the Cleat Bracket



Cleat Bracket
"T" shape keeps Cleat Bracket from sliding left or right once mounted.



The heavy object ^① is attached to the cleat receiver bracket. ^②
The Cleat Bracket ^③ is attached to the wall and flat washers ^④ go between the wall and cleat receiver bracket.