

Designed By : Desi engineer

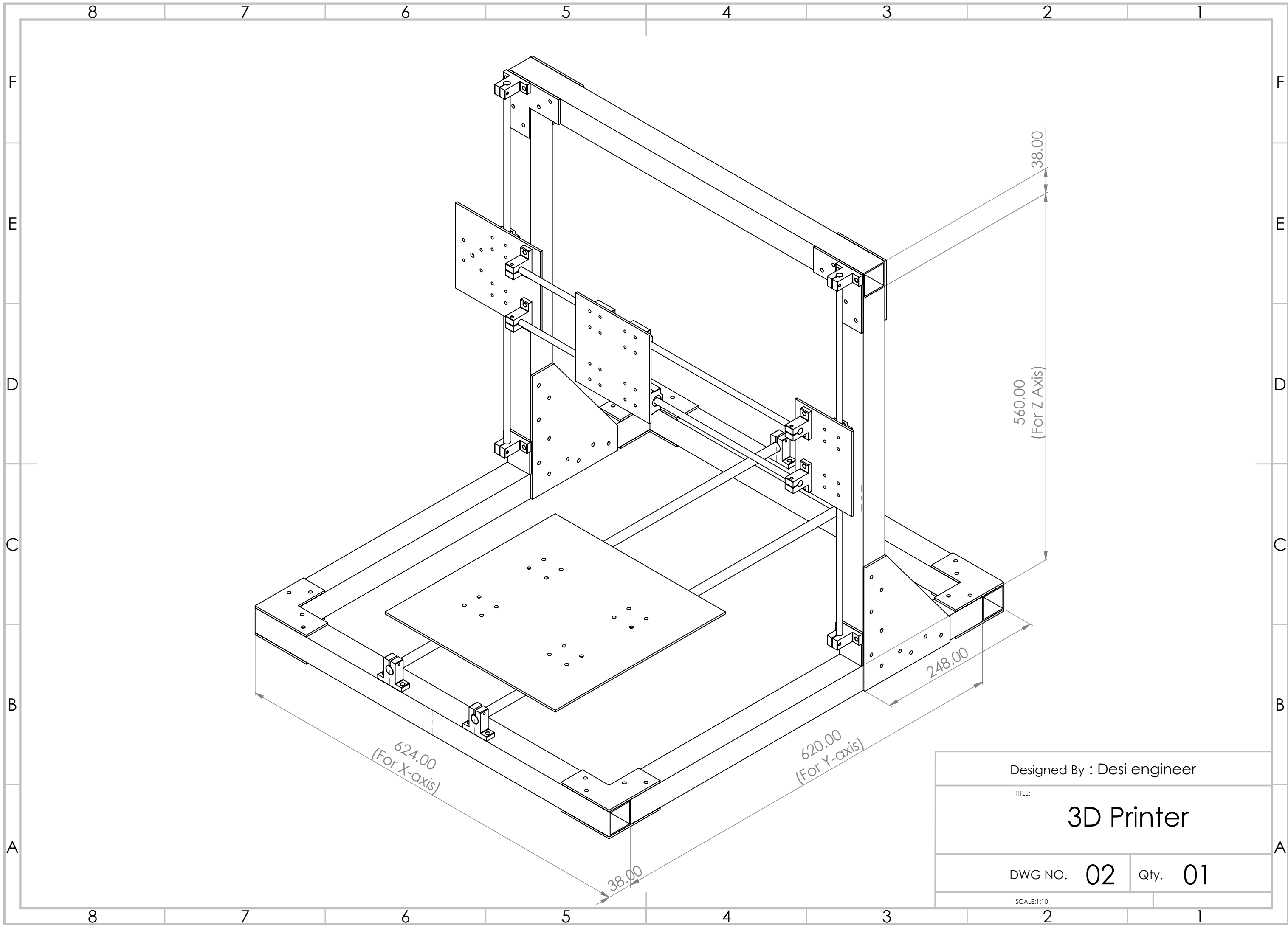
TITLE:

3D Printer

DWG NO. 01

Qty. 01

SCALE:1:4



Designed By : Desi engineer

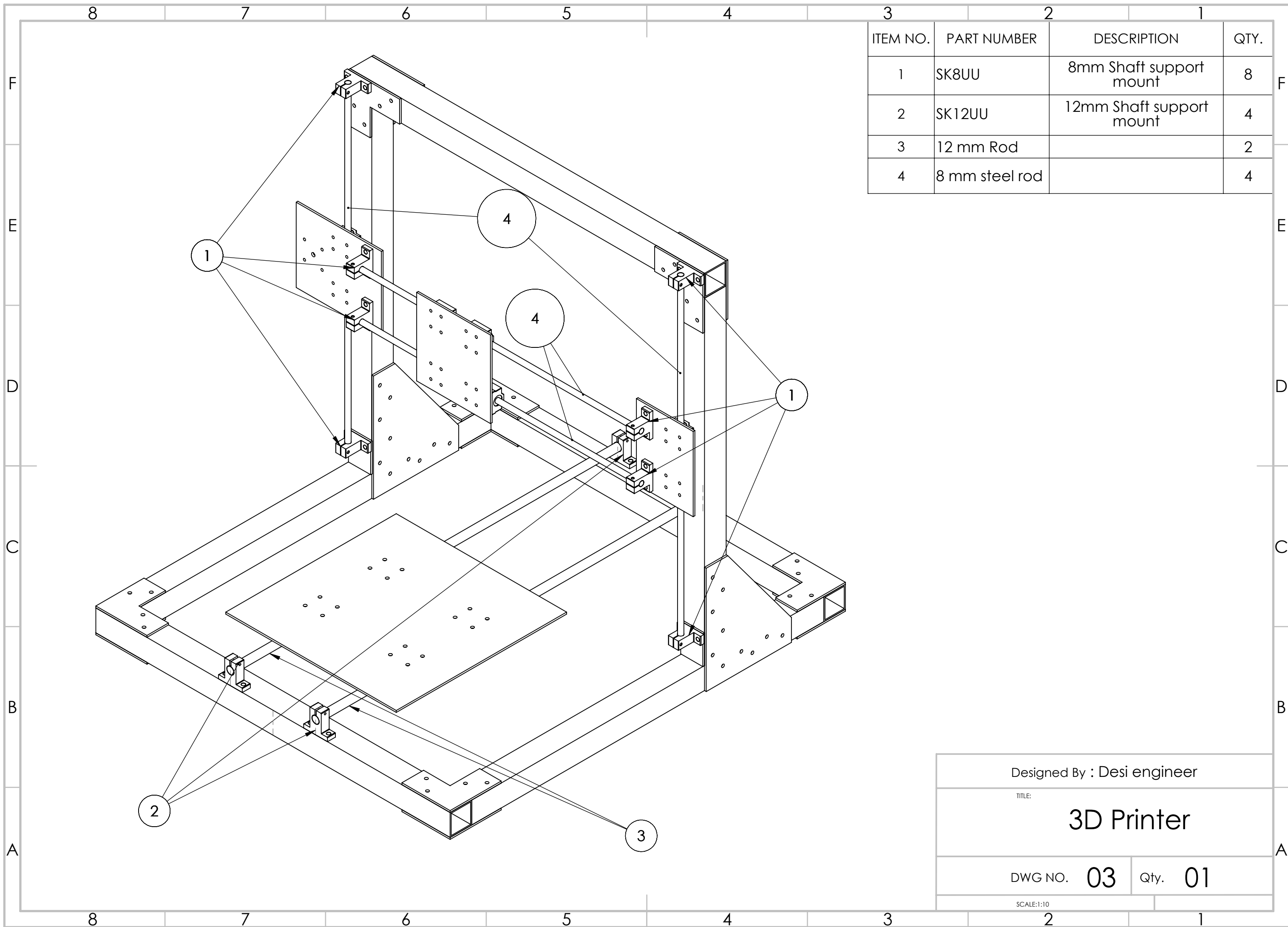
TITLE:

3D Printer

DWG NO. **02**

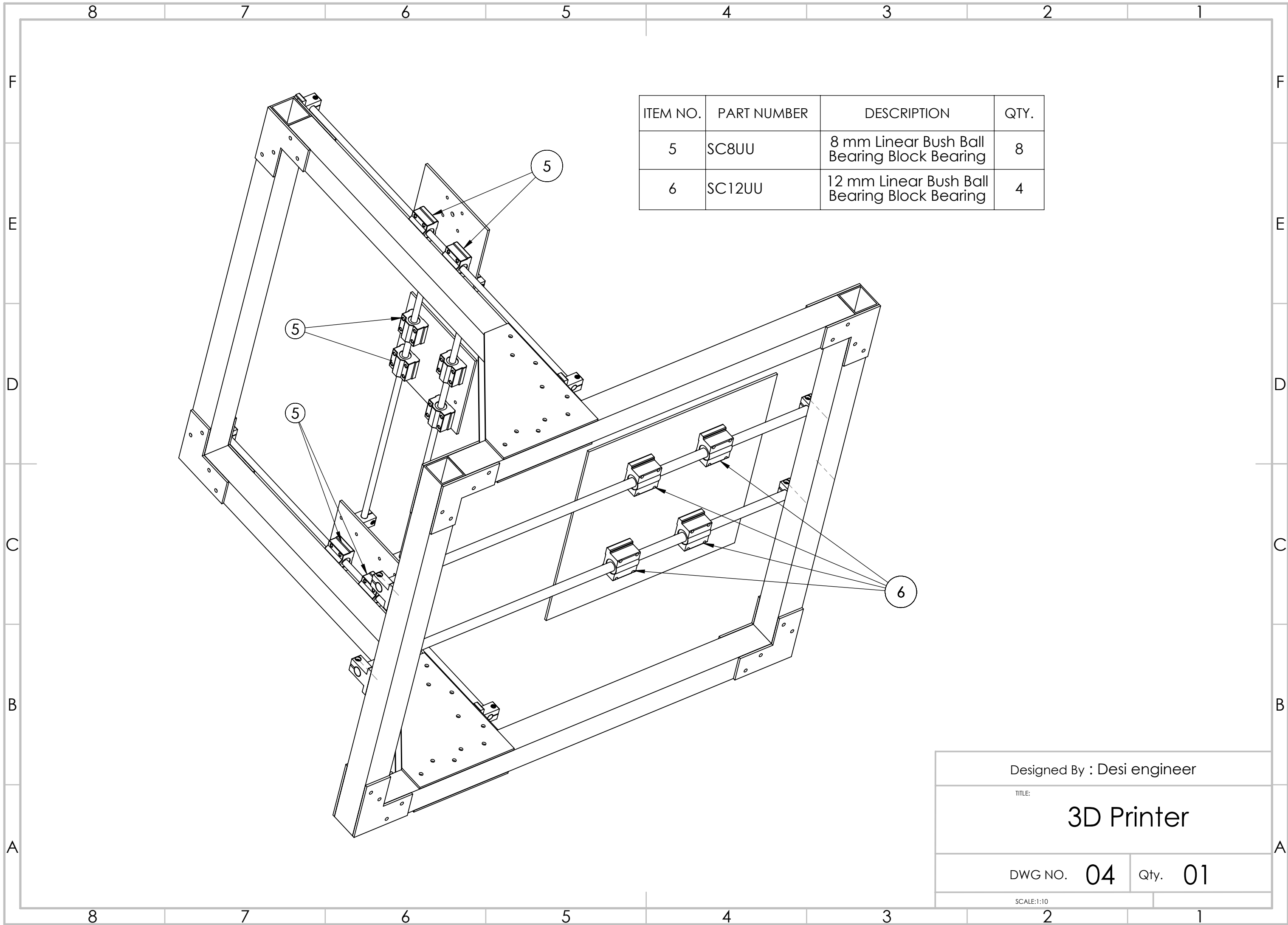
Qty. **01**

SCALE:1:10



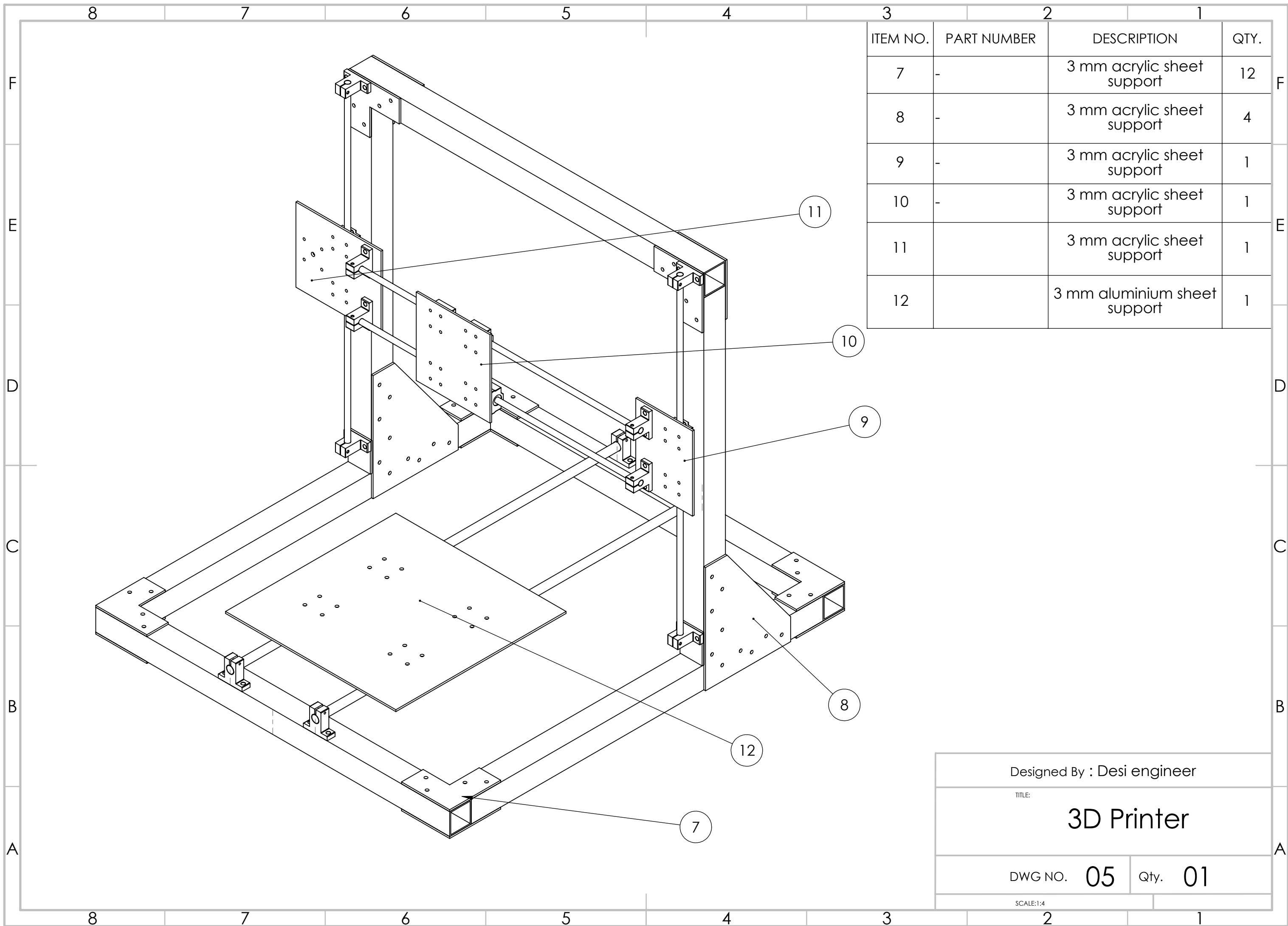
ITEM NO.	PART NUMBER	DESCRIPTION	QTY.
1	SK8UU	8mm Shaft support mount	8
2	SK12UU	12mm Shaft support mount	4
3	12 mm Rod		2
4	8 mm steel rod		4

Designed By : Desi engineer	
TITLE: 3D Printer	
DWG NO. 03	Qty. 01
SCALE:1:10	



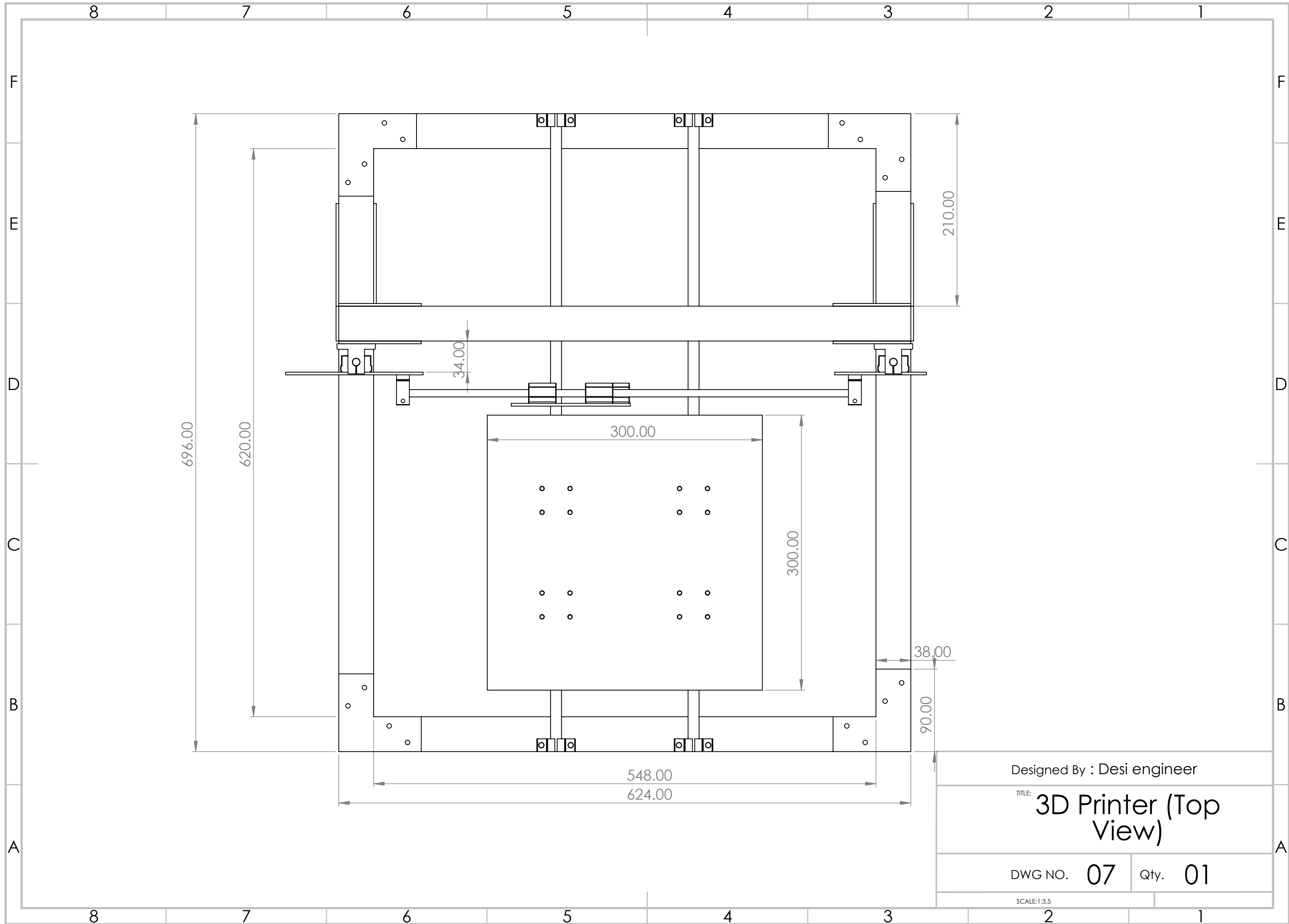
ITEM NO.	PART NUMBER	DESCRIPTION	QTY.
5	SC8UU	8 mm Linear Bush Ball Bearing Block Bearing	8
6	SC12UU	12 mm Linear Bush Ball Bearing Block Bearing	4

Designed By : Desi engineer	
TITLE: 3D Printer	
DWG NO. 04	Qty. 01
SCALE:1:10	



ITEM NO.	PART NUMBER	DESCRIPTION	QTY.
7	-	3 mm acrylic sheet support	12
8	-	3 mm acrylic sheet support	4
9	-	3 mm acrylic sheet support	1
10	-	3 mm acrylic sheet support	1
11	-	3 mm acrylic sheet support	1
12	-	3 mm aluminium sheet support	1

Designed By : Desi engineer	
TITLE: 3D Printer	
DWG NO. 05	Qty. 01
SCALE:1:4	

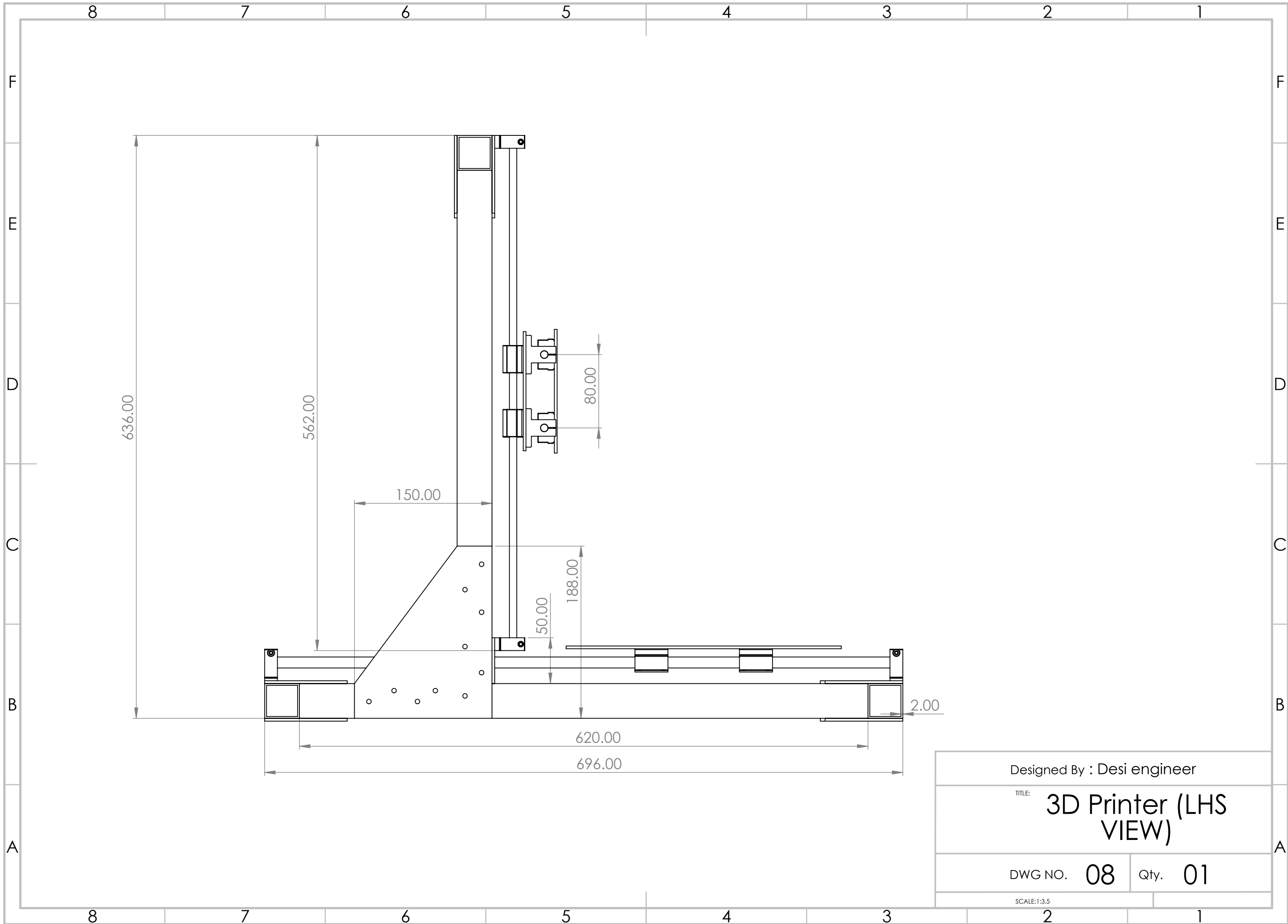


Designed By : Desi engineer

TITLE: **3D Printer (Top View)**

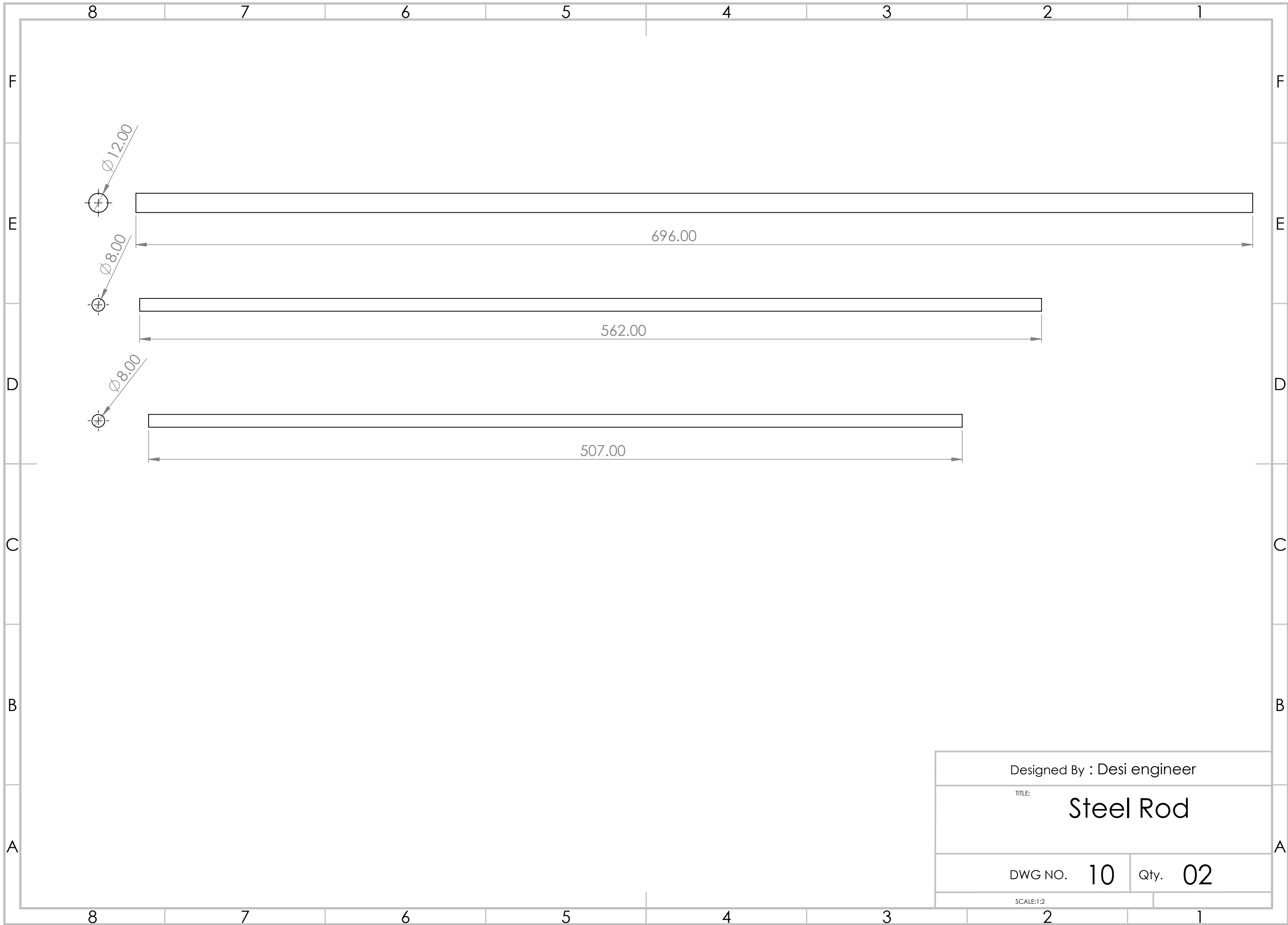
DWG NO. **07** Qty. **01**

SCALE:1:3.5



Designed By : Desi engineer	
TITLE: 3D Printer (LHS VIEW)	
DWG NO. 08	Qty. 01
SCALE:1:3.5	





Designed By : Desi engineer

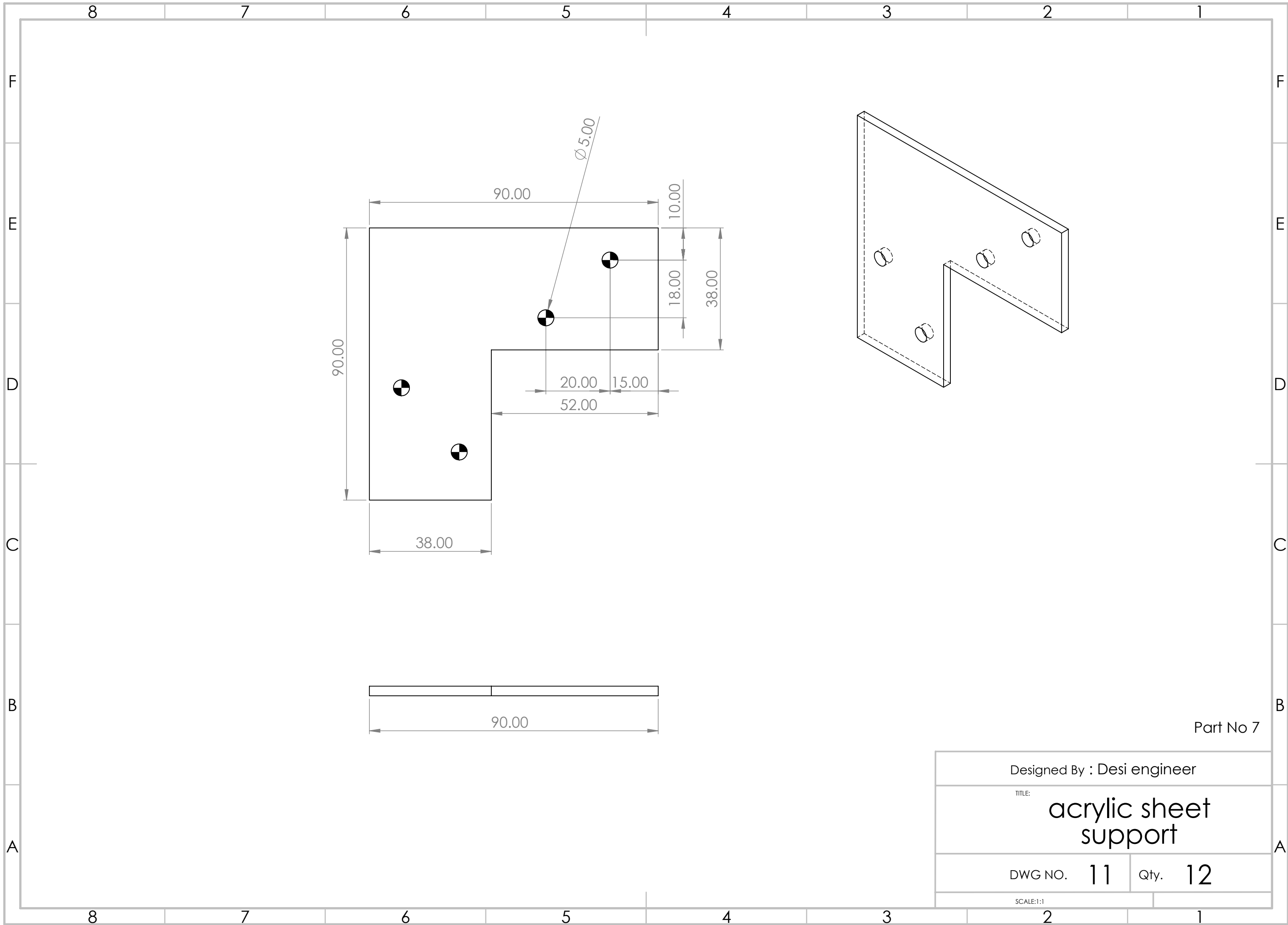
TITLE:

Steel Rod

DWG NO. 10

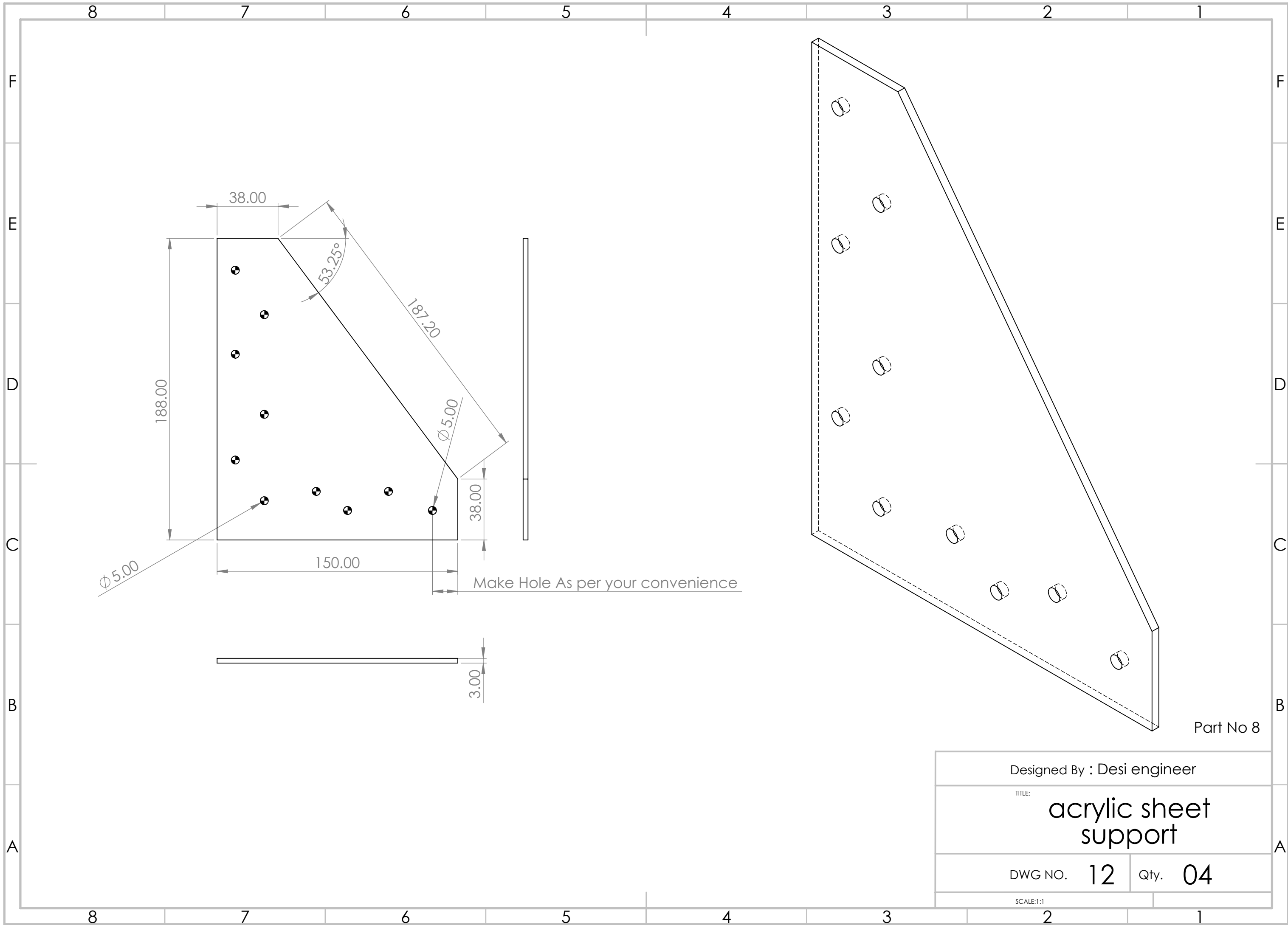
Qty. 02

SCALE:1:2

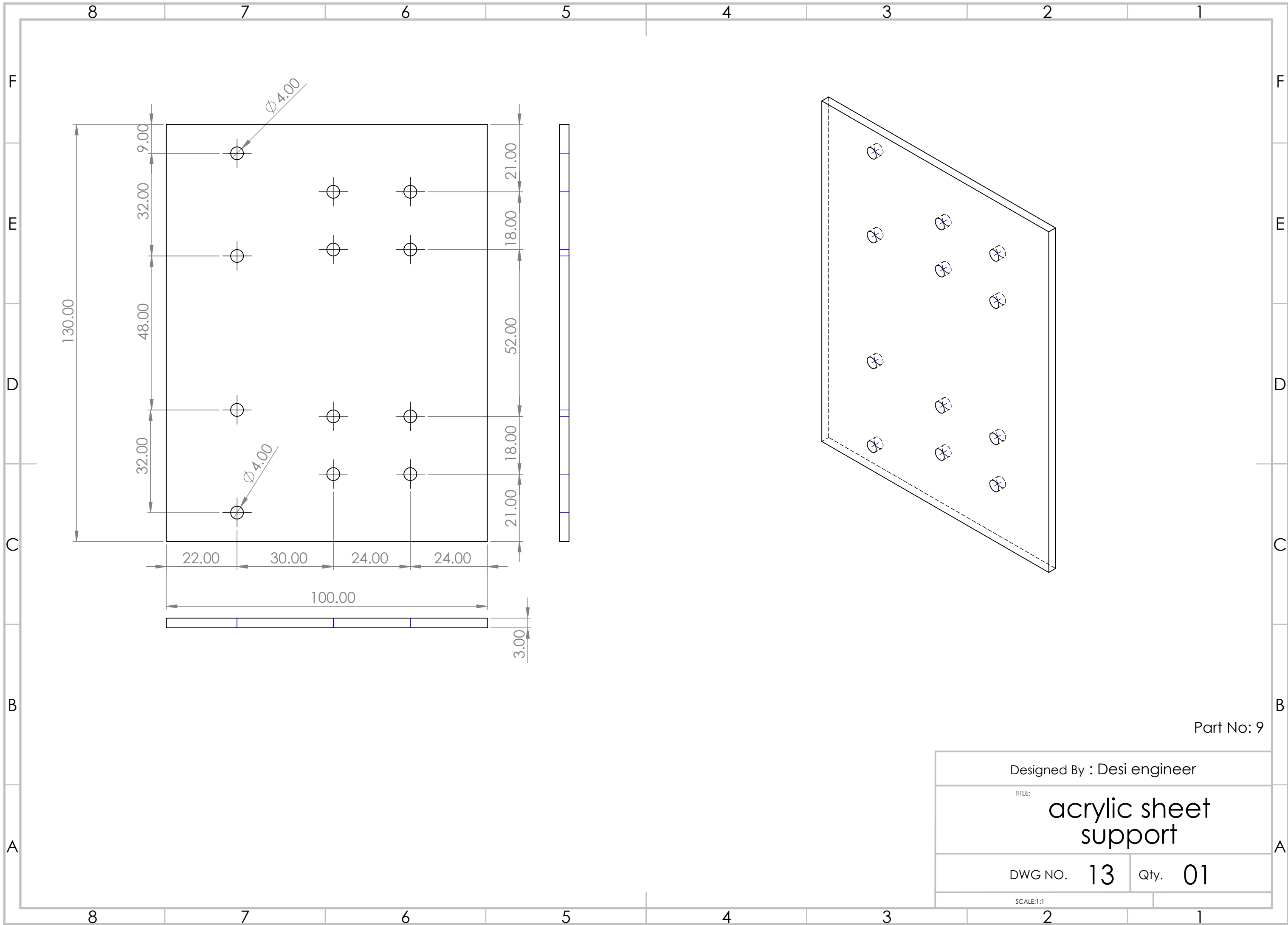


Part No 7

Designed By : Desi engineer	
TITLE: acrylic sheet support	
DWG NO. 11	Qty. 12
SCALE:1:1	

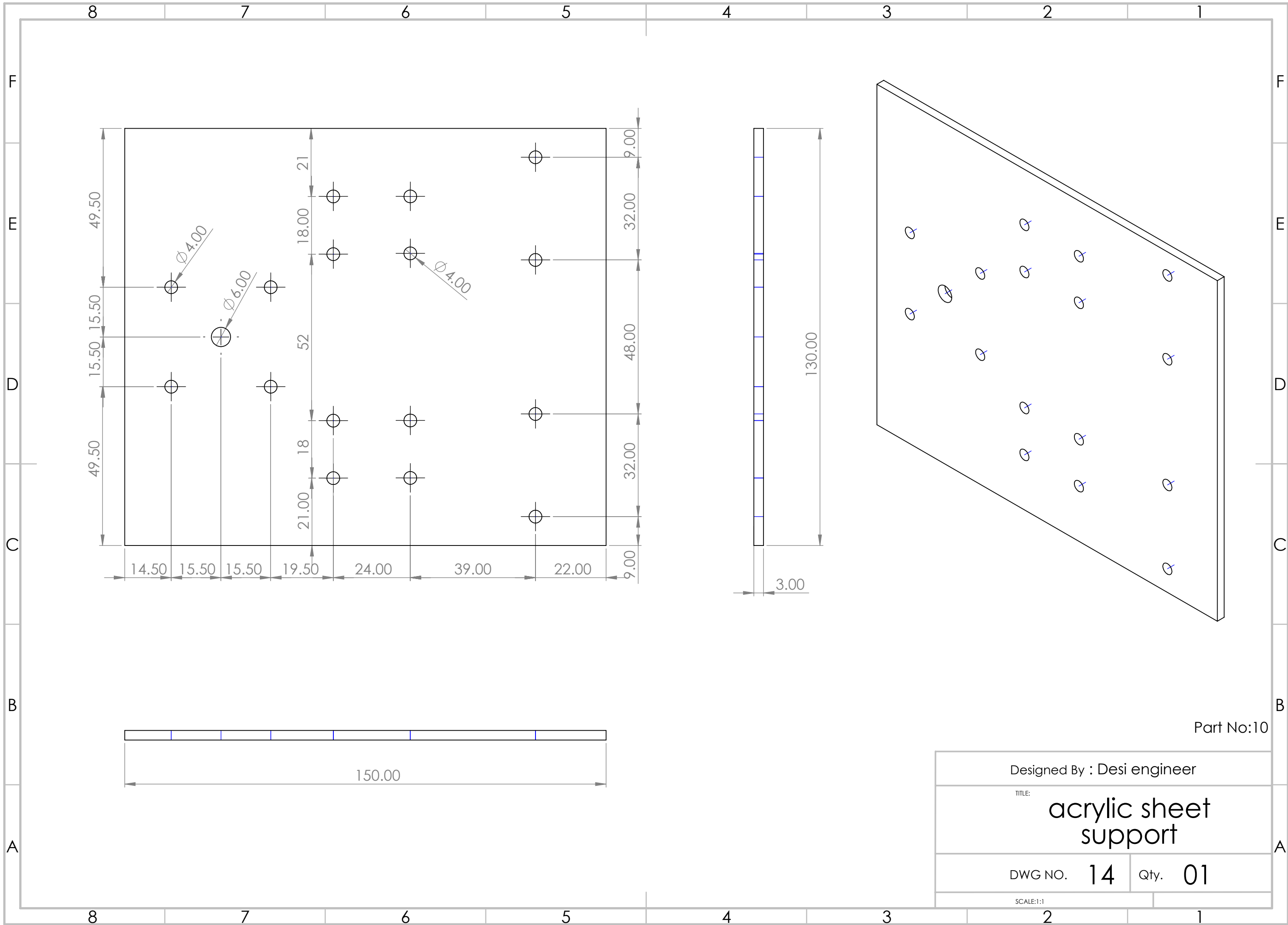


Part No 8



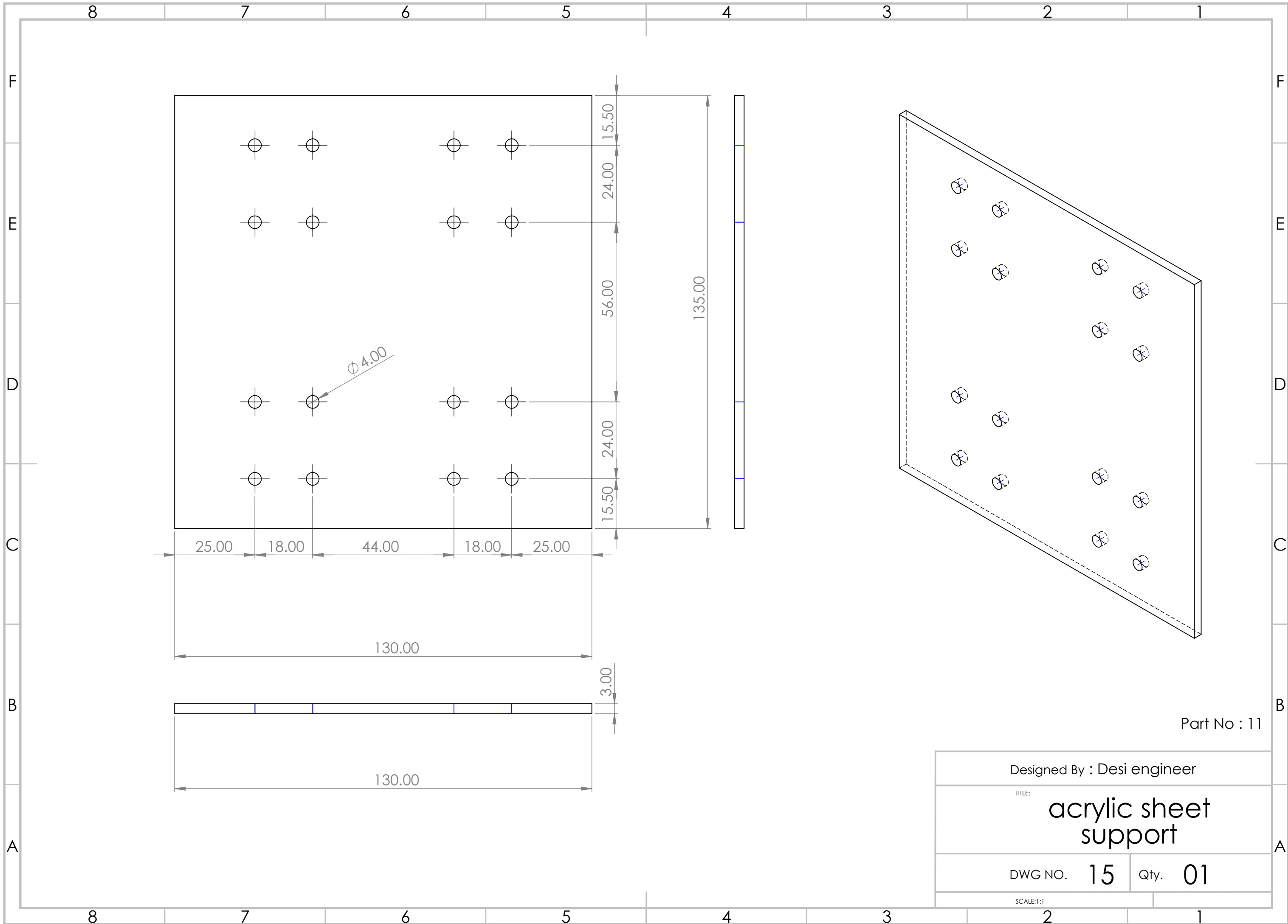
Part No: 9

Designed By : Desi engineer	
TITLE: acrylic sheet support	
DWG NO. 13	Qty. 01
SCALE:1:1	



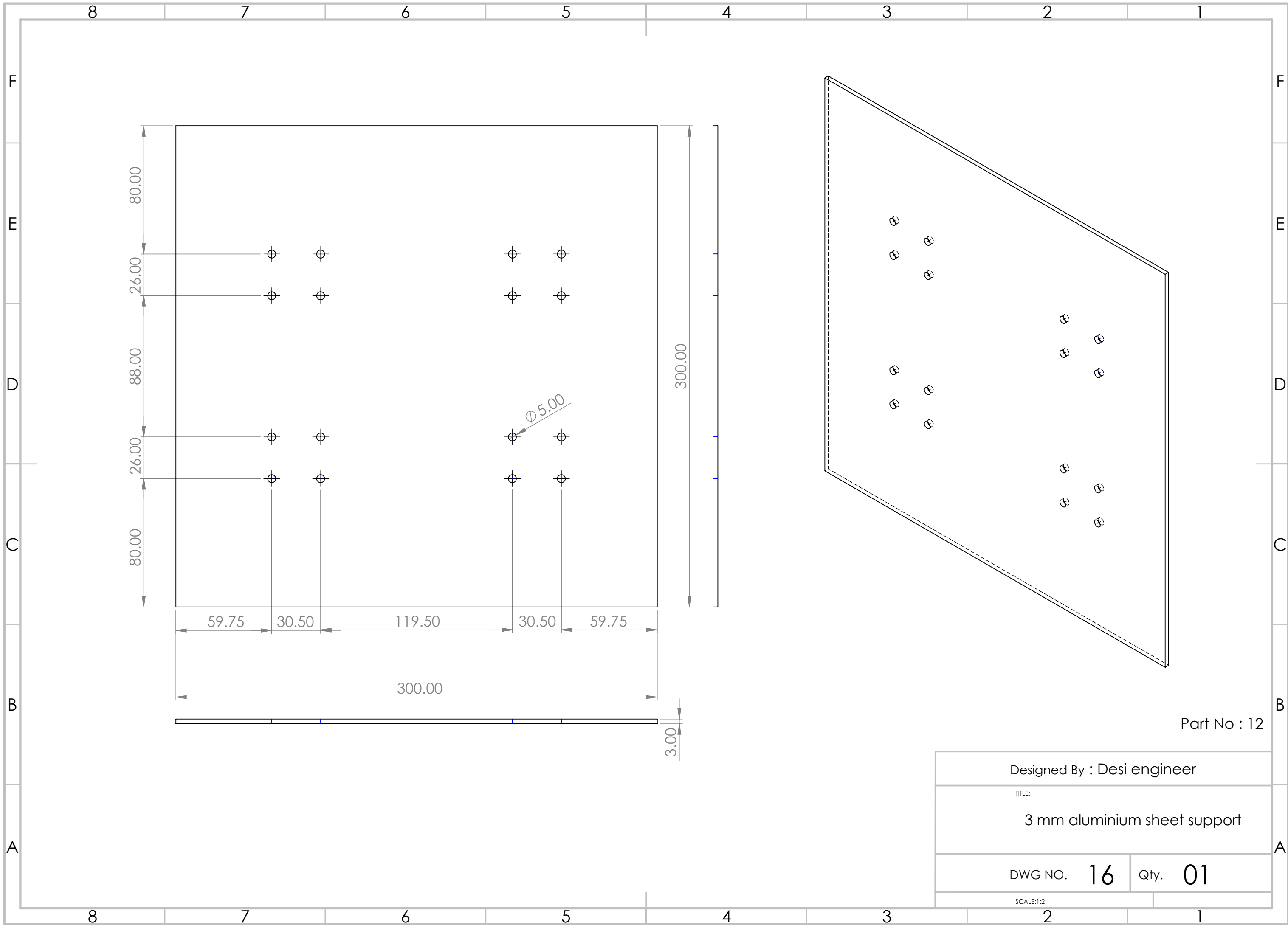
Part No:10

Designed By : Desi engineer	
TITLE: acrylic sheet support	
DWG NO. 14	Qty. 01
SCALE:1:1	



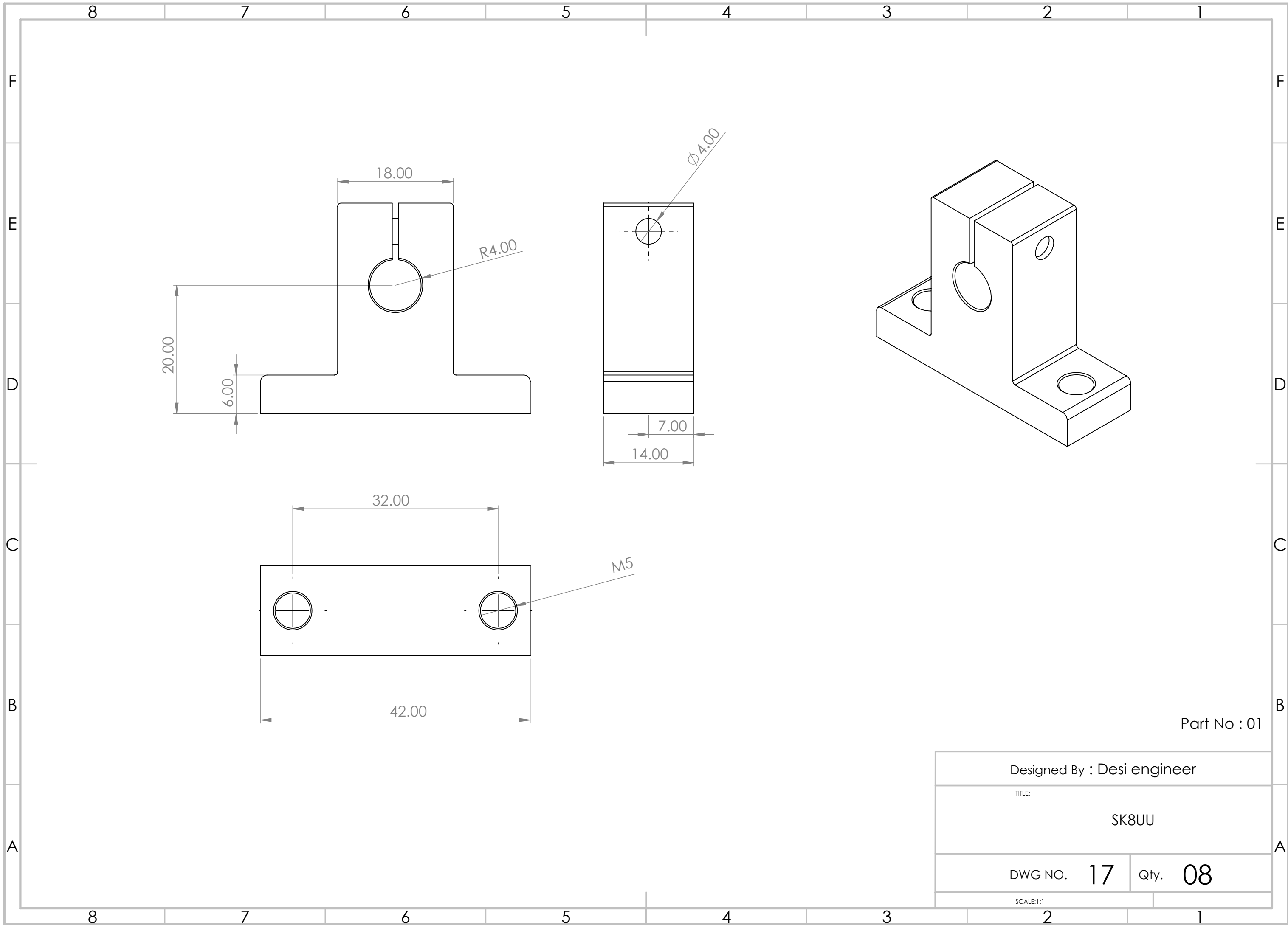
Part No : 11

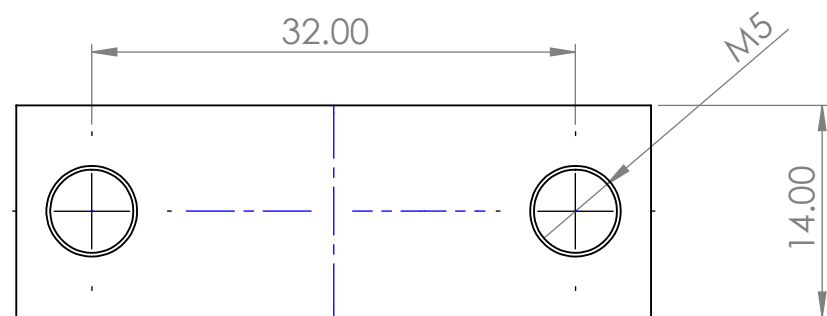
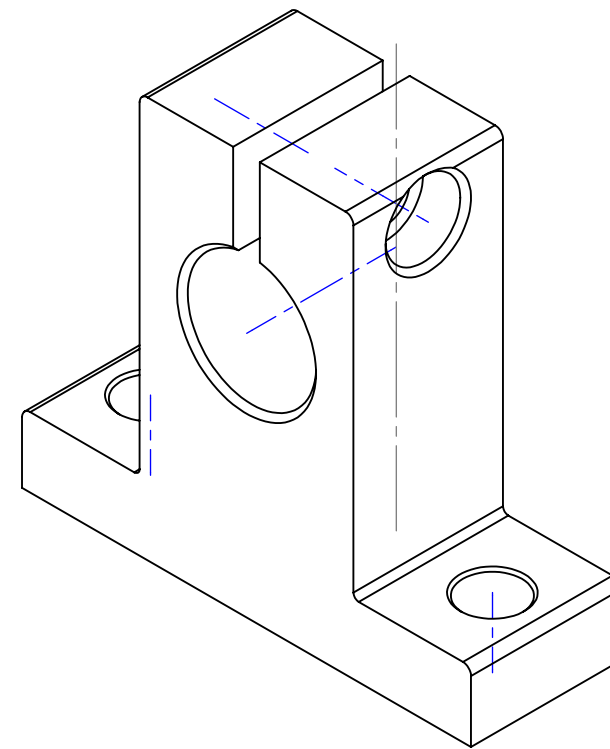
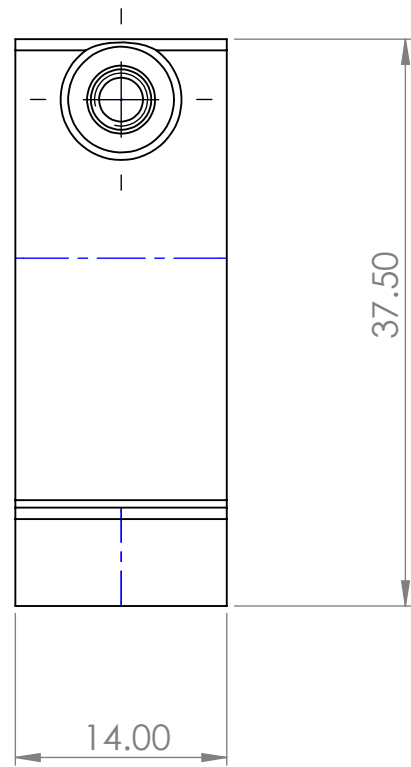
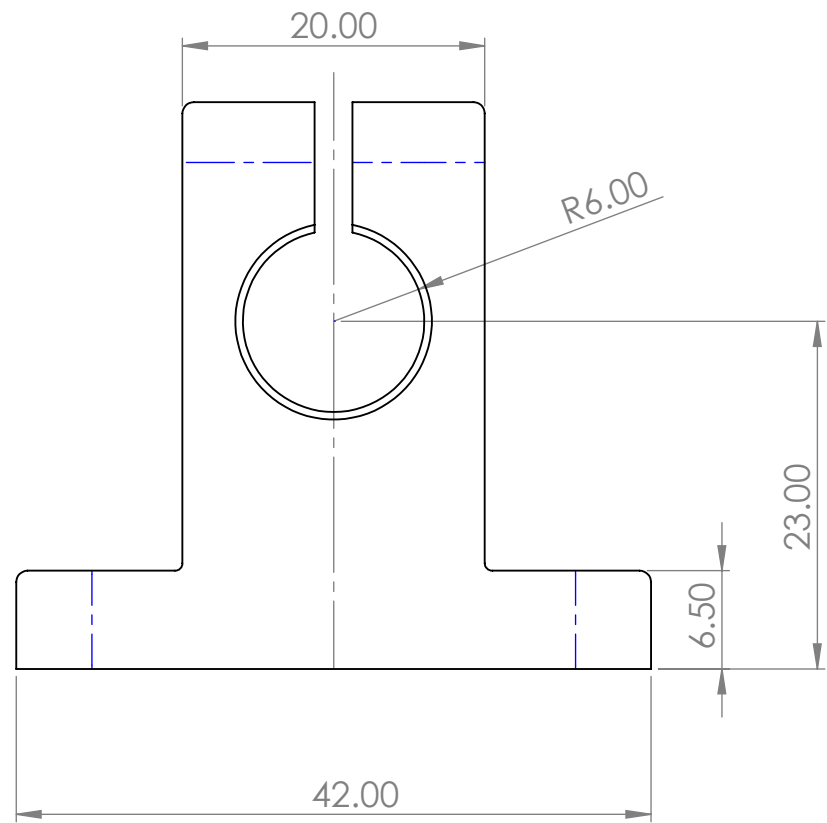
Designed By : Desi engineer	
TITLE: acrylic sheet support	
DWG NO. 15	Qty. 01
SCALE:1:1	



Part No : 12

Designed By : Desi engineer	
TITLE: 3 mm aluminium sheet support	
DWG NO. 16	Qty. 01
SCALE:1:2	





Part No : 02

Designed By : Desi engineer

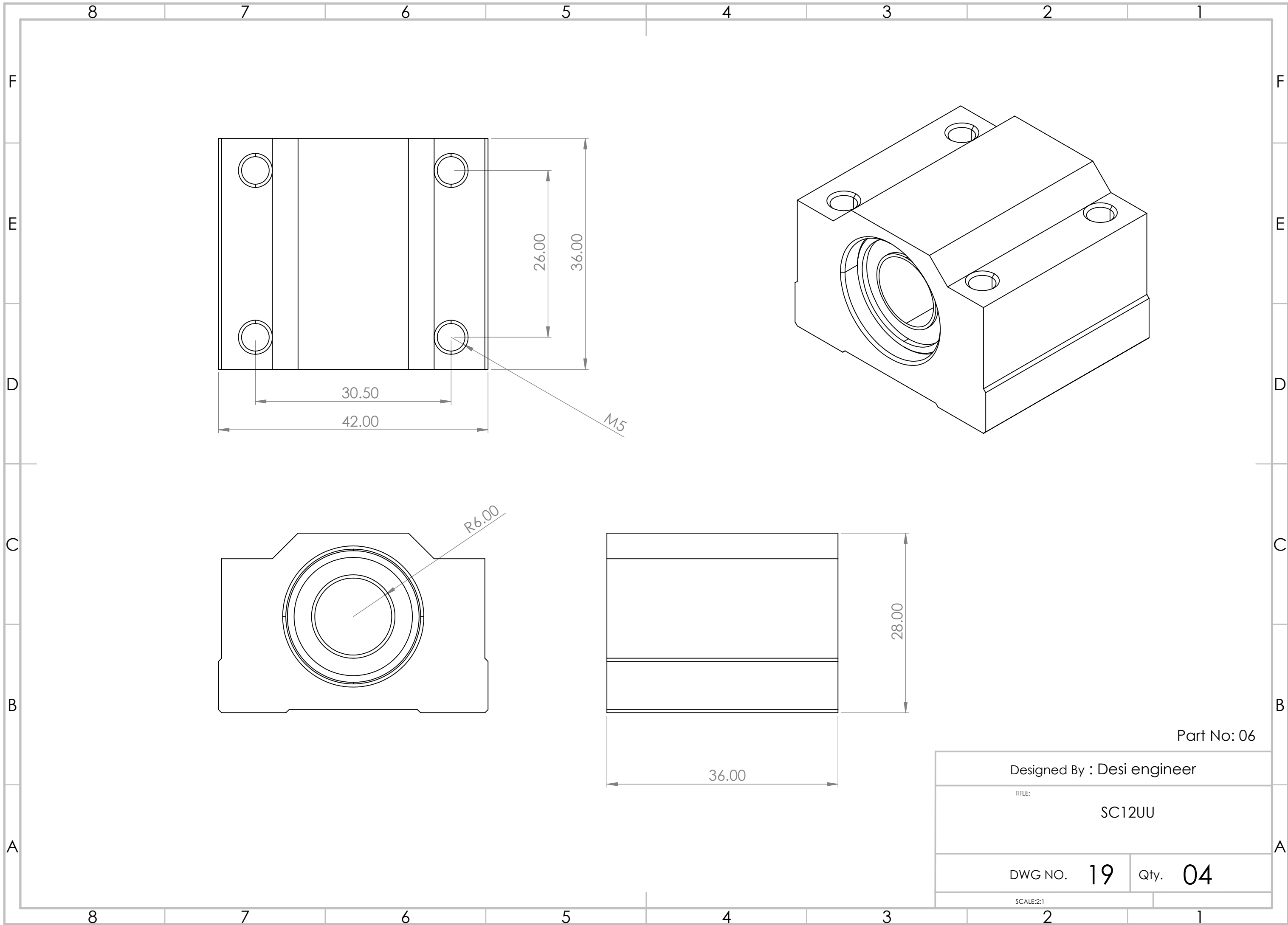
TITLE:

SK12UU

DWG NO. 18

Qty. 04

SCALE:1:1



Part No: 06

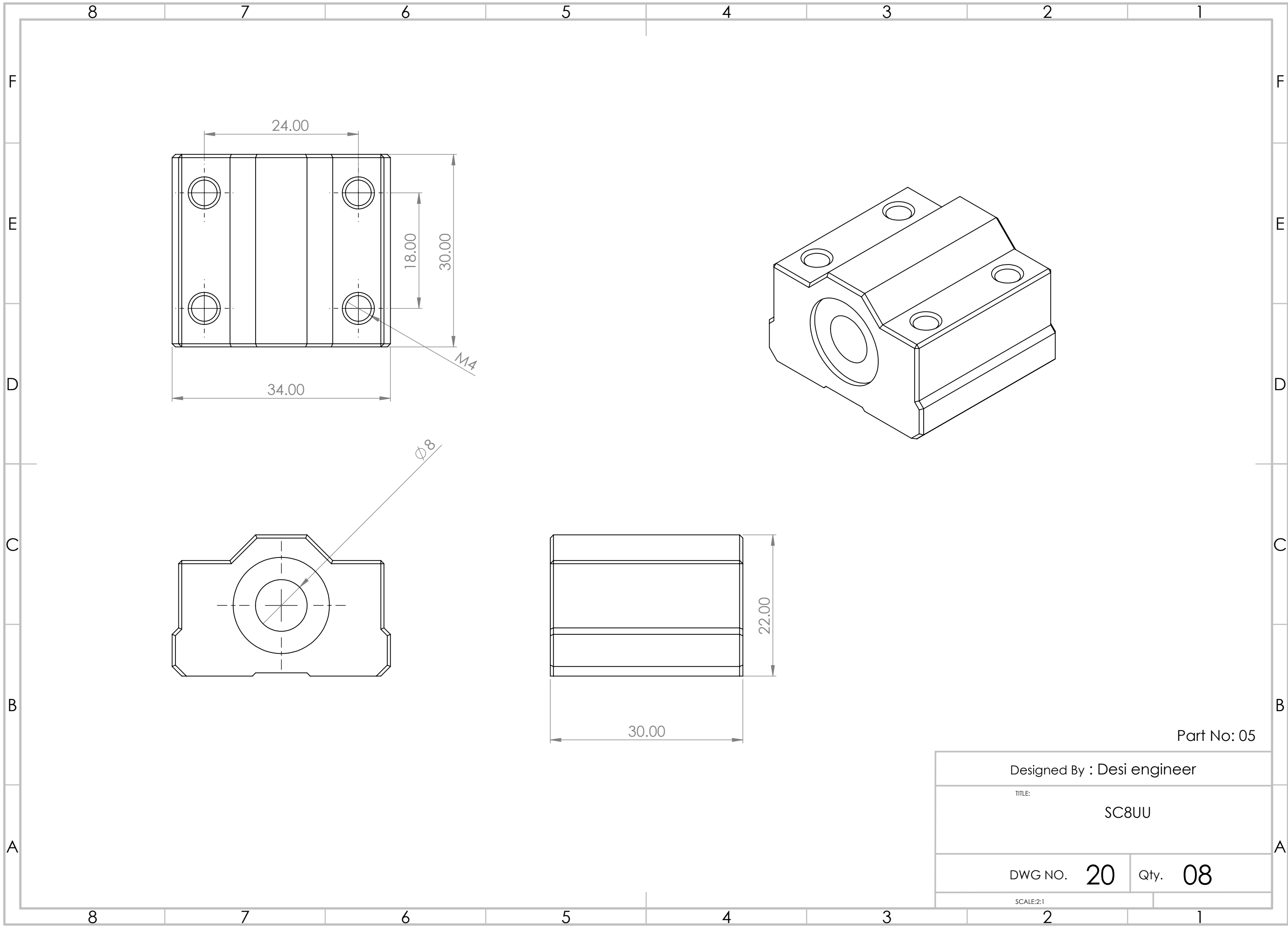
Designed By : Desi engineer

TITLE: SC12UU

DWG NO. 19

Qty. 04

SCALE:2:1



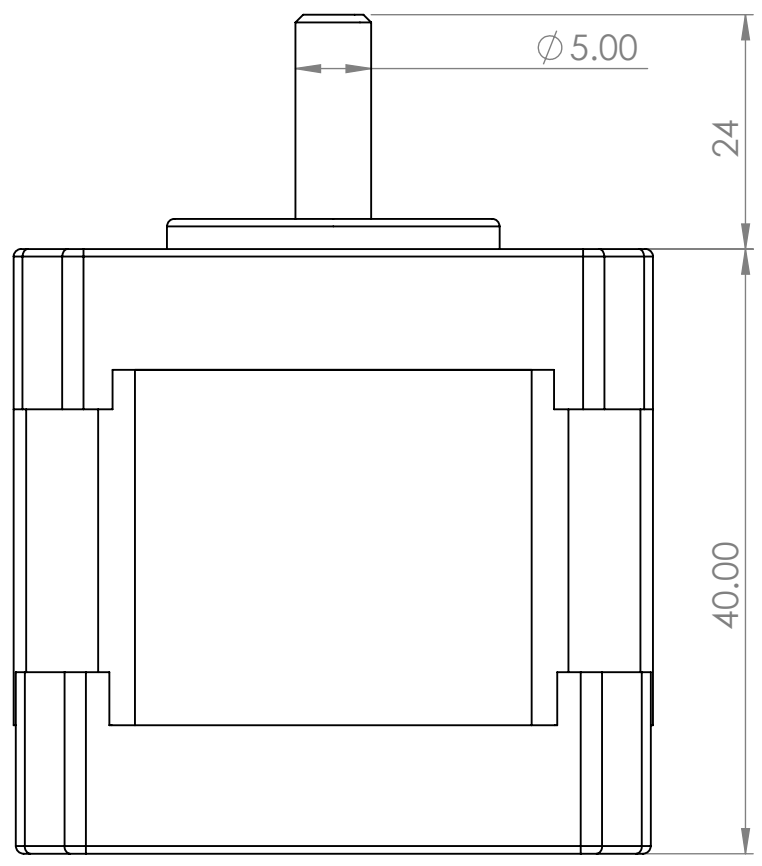
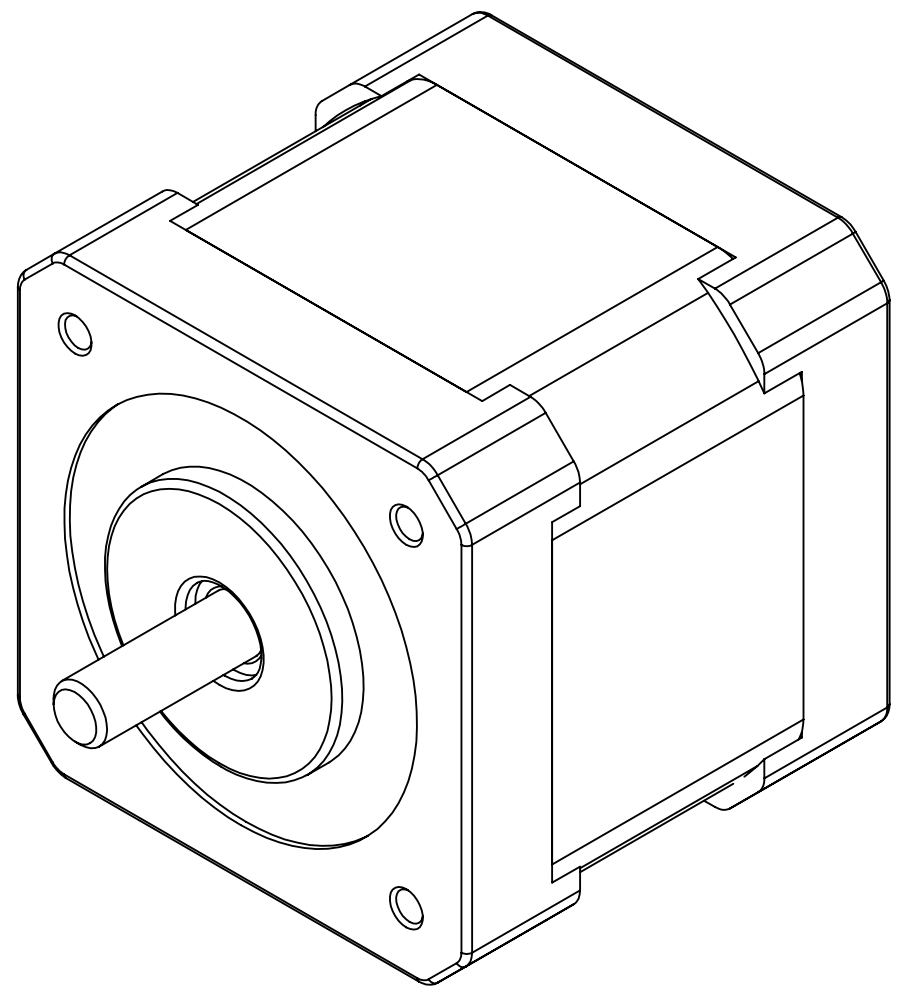
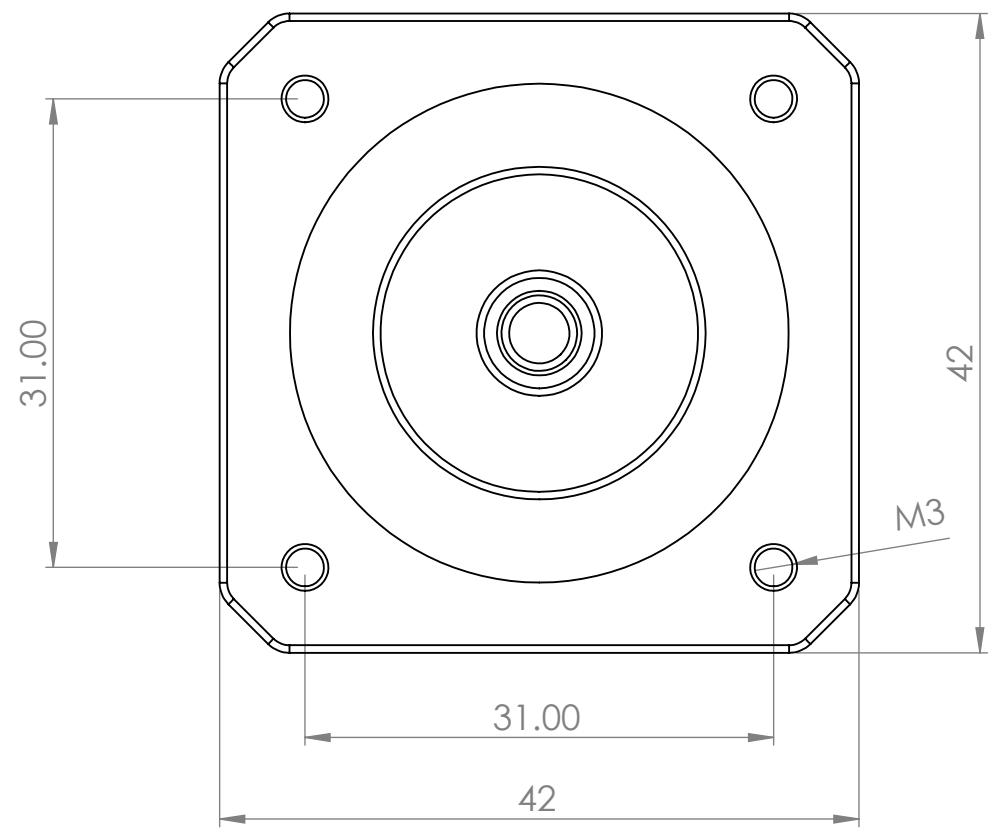
Part No: 05

Designed By : Desi engineer

TITLE:
SC8UU

DWG NO. 20 Qty. 08

SCALE:2:1



NEMA 17 Stepper motor

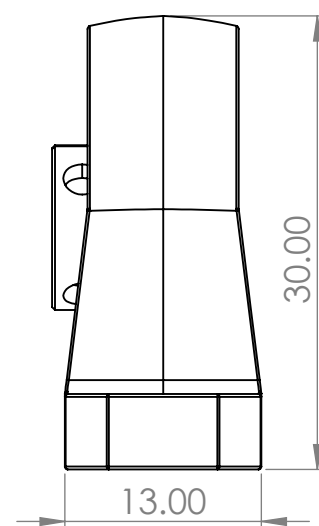
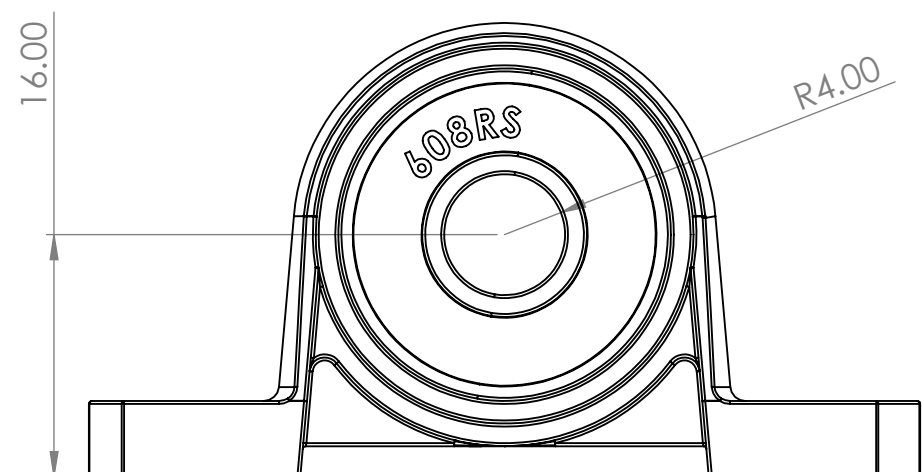
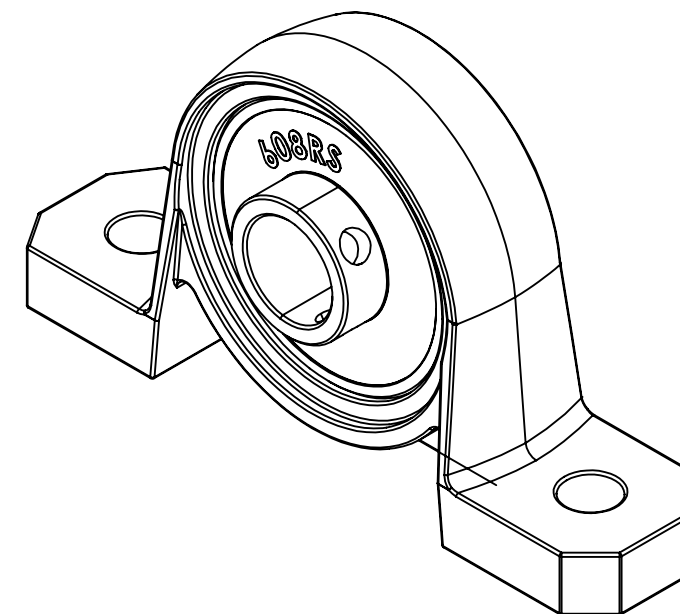
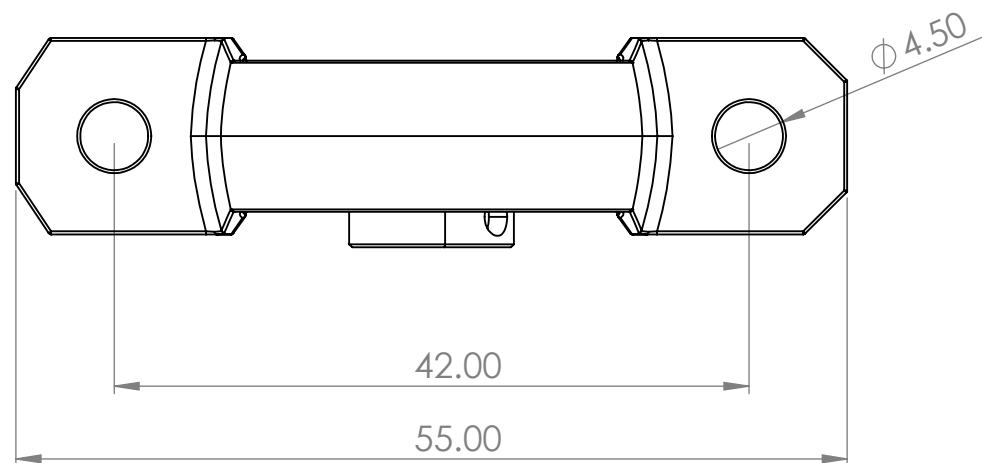
Designed By : Desi engineer

TITLE: **jk42hs40-1704
Stepper Motor**

DWG NO. **21**

Qty. **05**

SCALE:2:1



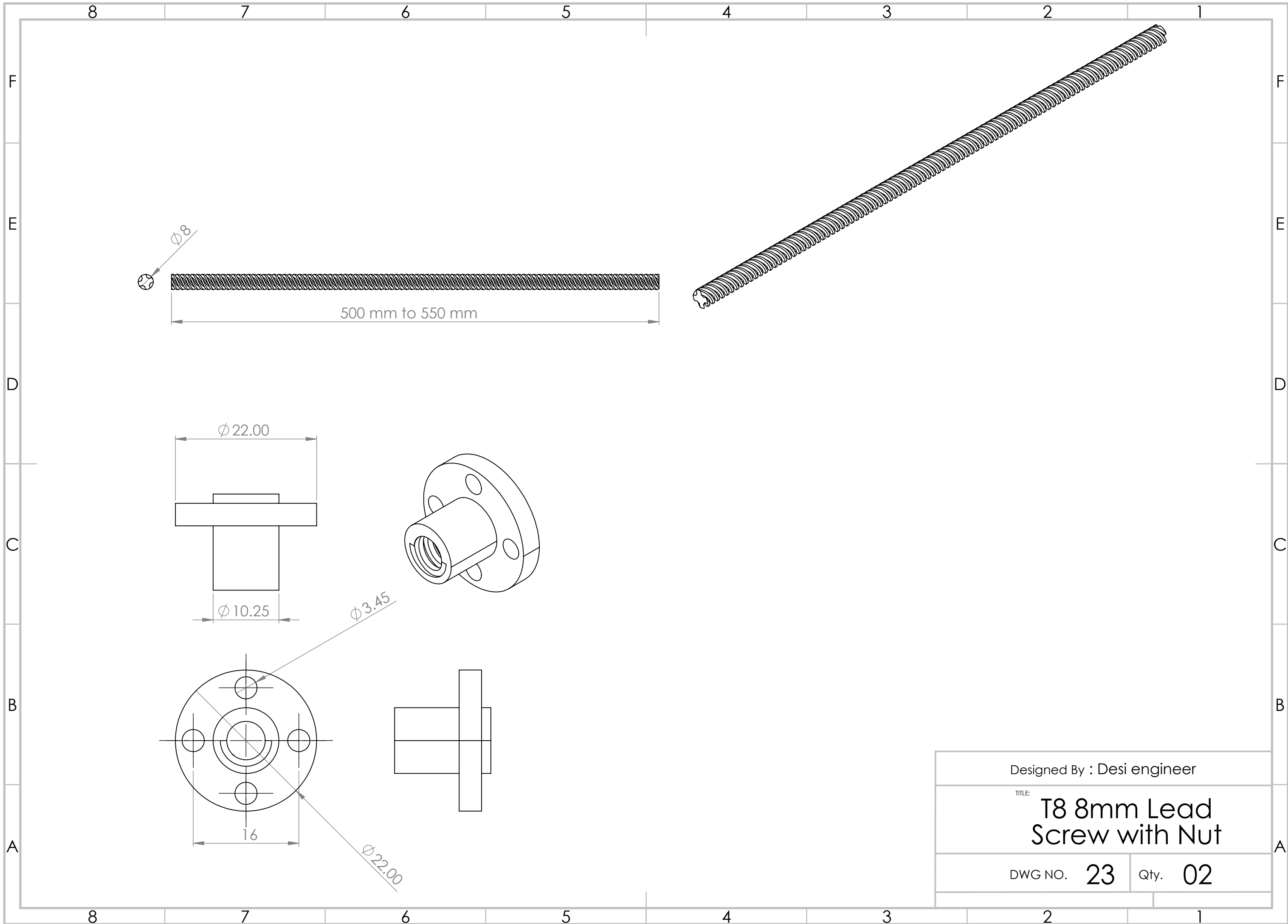
Designed By : Desi engineer

TITLE:
Pedestal bearing
8mm KP08

DWG NO. 22

Qty. 02

SCALE:2:1

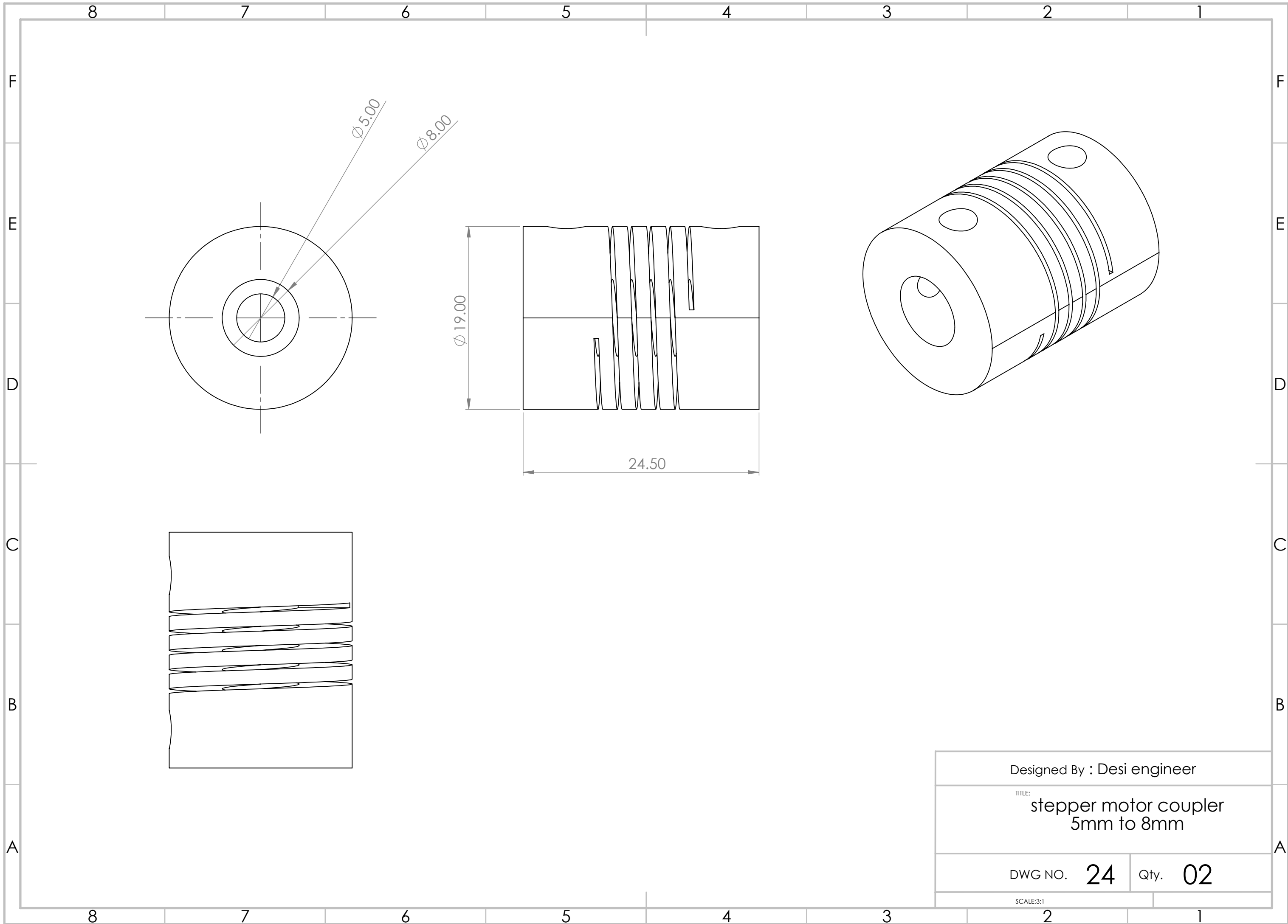


Designed By : Desi engineer

TITLE:
T8 8mm Lead
Screw with Nut

DWG NO. 23

Qty. 02



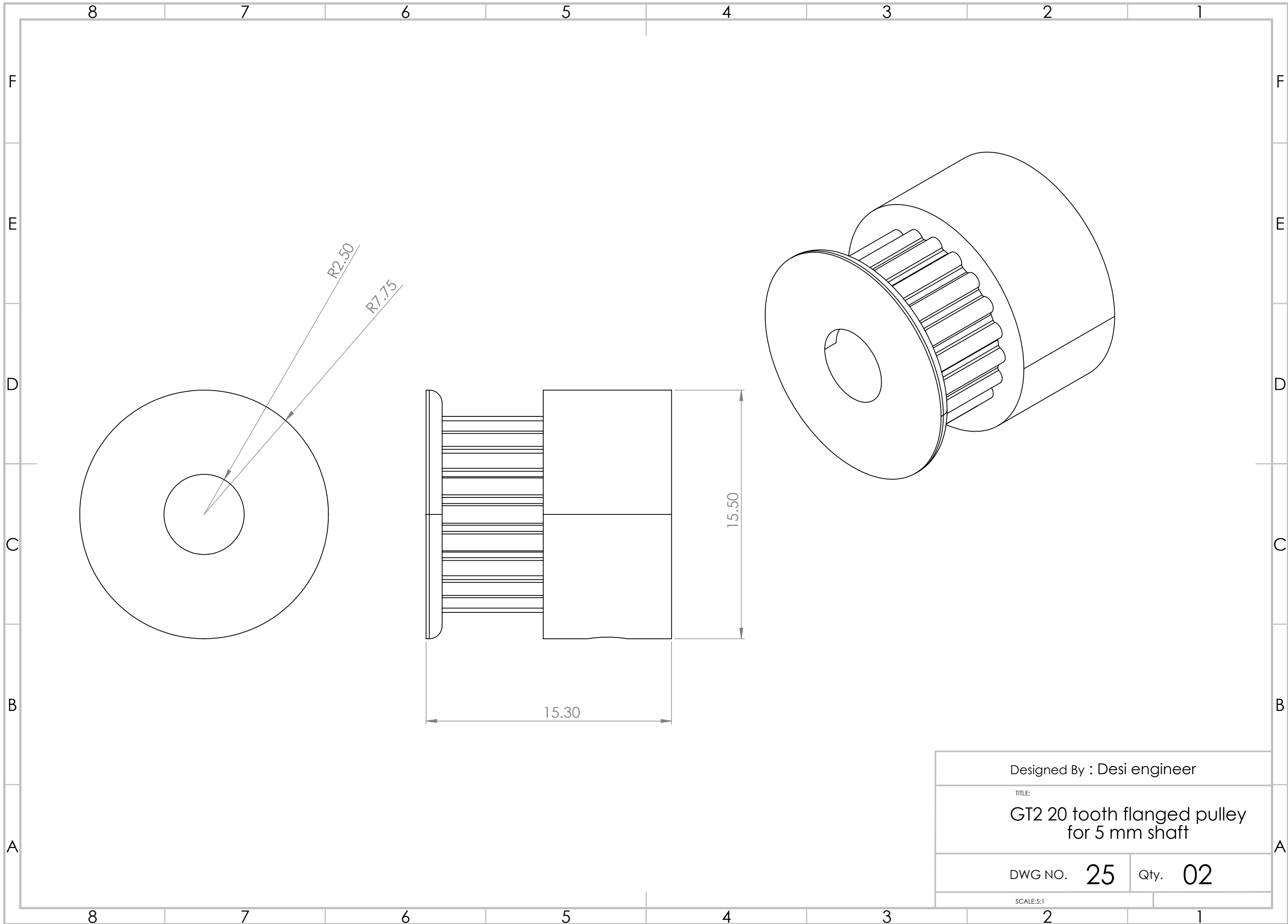
Designed By : Desi engineer

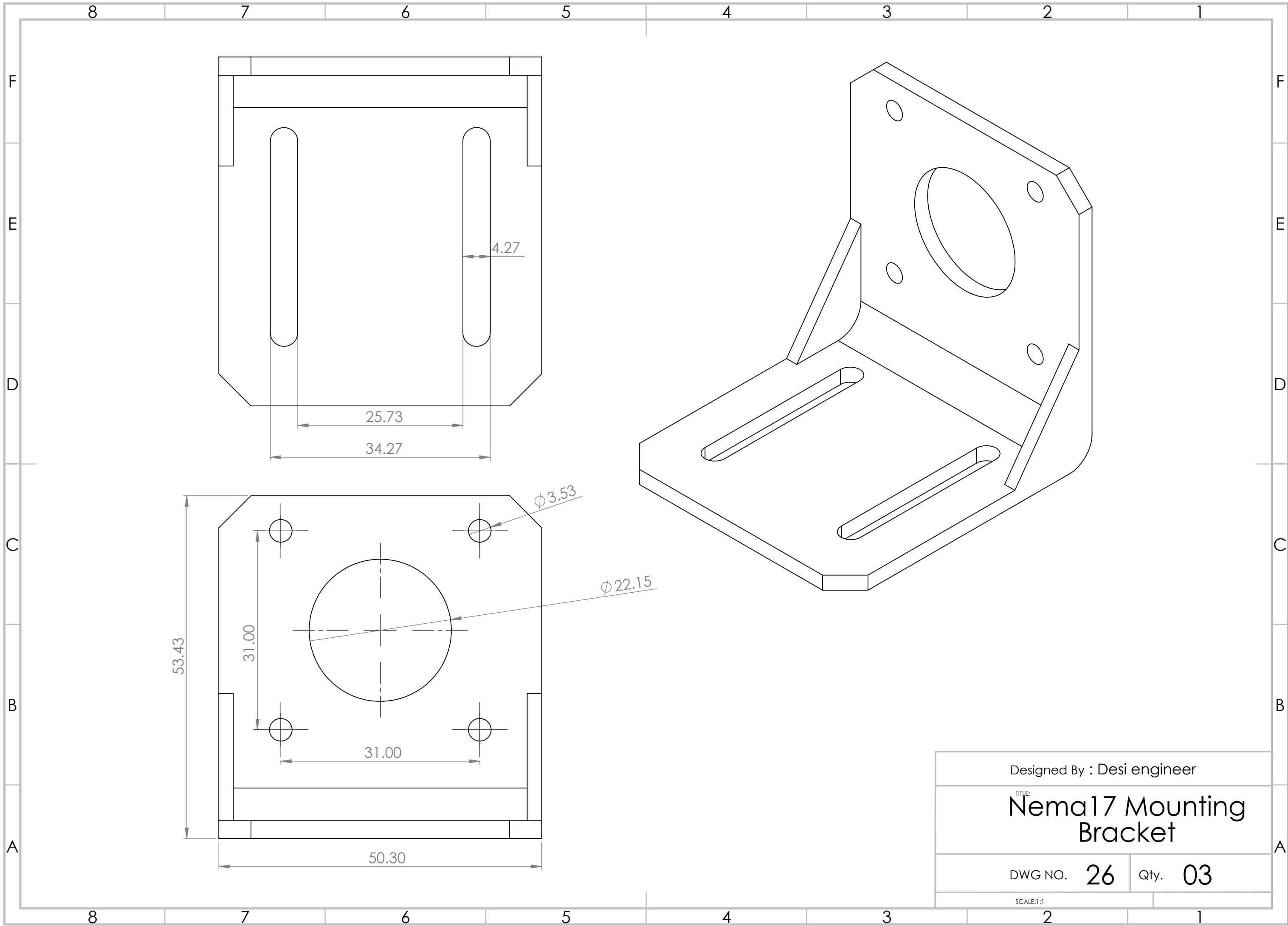
TITLE:
stepper motor coupler
5mm to 8mm

DWG NO. 24

Qty. 02

SCALE:3:1





Designed By : Desi engineer

TITLE:
**Nema17 Mounting
 Bracket**

DWG NO. **26**

Qty. **03**

SCALE:1:1