

Parts Manual
for

SNAPPER[®]

**3200, 3201,
3202, 3203**

**SERIES
SINGLE STAGE
SNOW THROWER**



NOTE: SERIES 1 MODEL SHOWN

IT IS THE POLICY OF SNAPPER TO IMPROVE ITS PRODUCTS WHENEVER IT IS POSSIBLE AND PRACTICAL TO DO SO. WE RESERVE THE RIGHT TO MAKE CHANGES OR ADD IMPROVEMENTS AT ANY TIME WITHOUT INCURRING ANY OBLIGATION TO MAKE SUCH CHANGES ON PRODUCTS MANUFACTURED PREVIOUSLY.

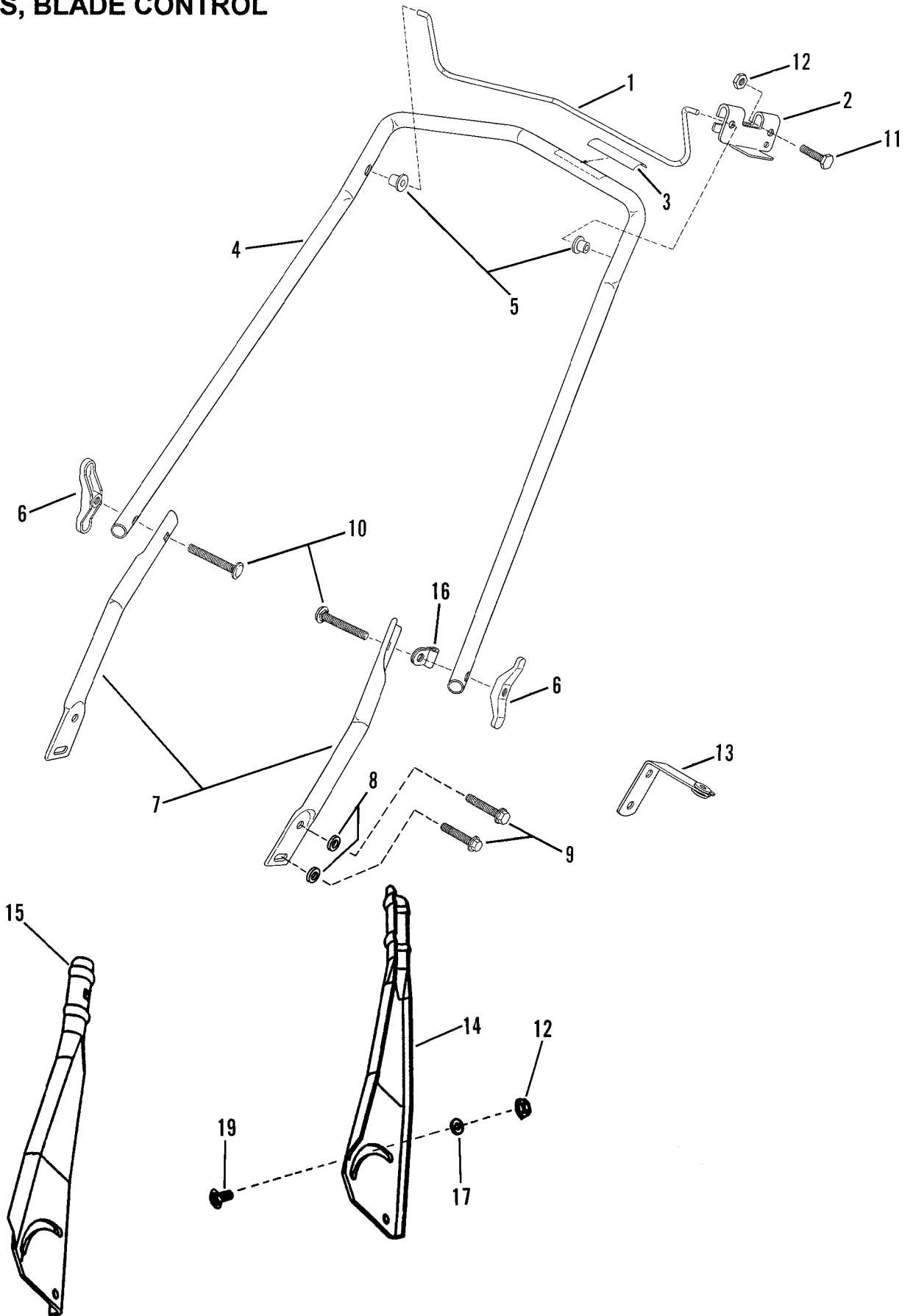
SNAPPER[®] McDonough, GA., 30253 U.S.A.

COPYRIGHT © 1997
SNAPPER INC.
ALL RIGHTS RESERVED

REPLACES Rev. 3, 8/90 ISSUE)

MANUAL No. 06024 (Rev. 4, 5/97)

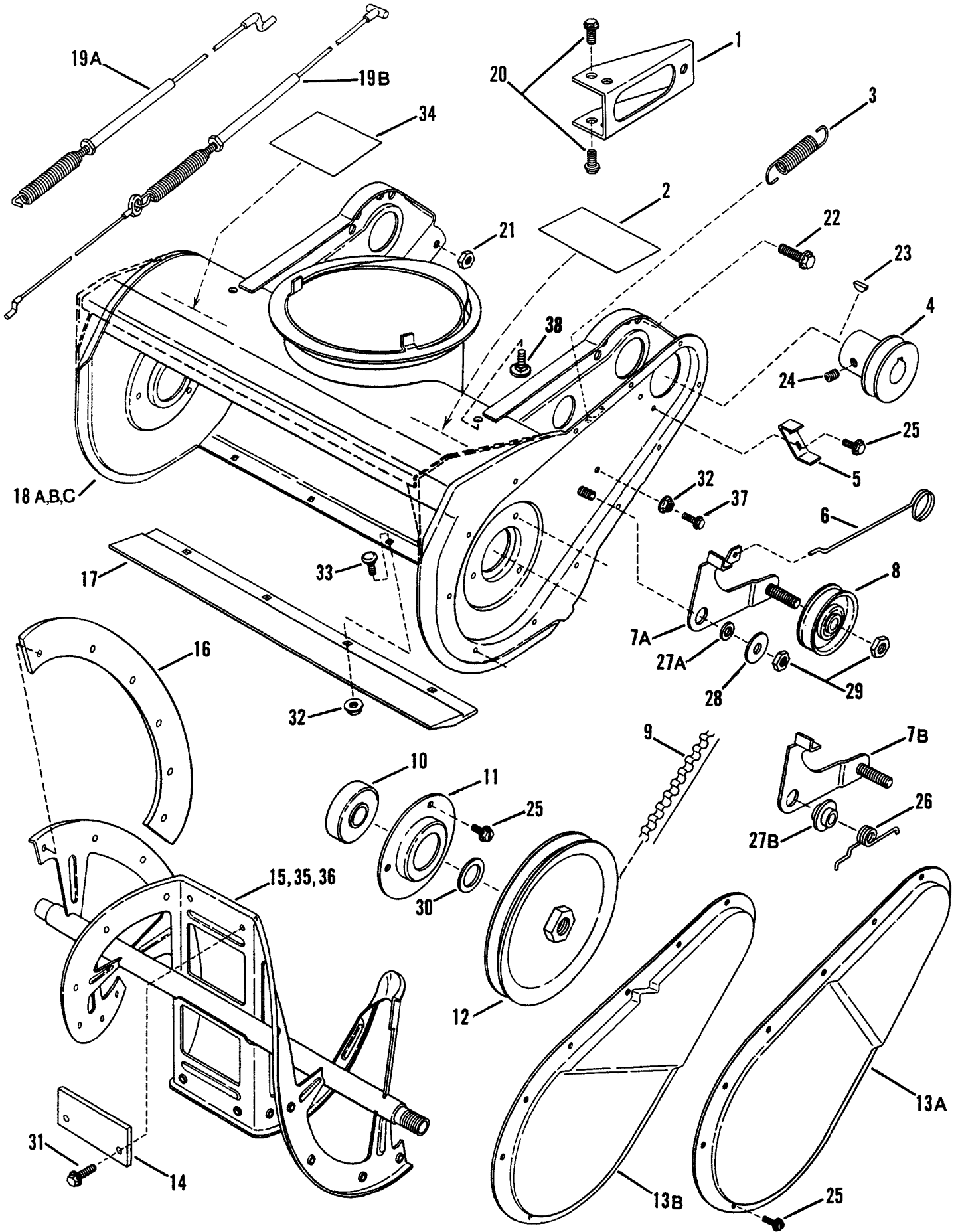
HANDLES, BLADE CONTROL



HANDLES, BLADE CONTROL

ITEM	PART NO.	DESCRIPTION
1	1-9714	CONTROL, Auger (Series 0, 1 & 2)
--	1-7072	CONTROL, Auger (Series 3)
2	3-2350	CLIP (Series 0, 1 & 2)
--	3-2918	CLIP, 9Series 3)
3	1-4653	DECAL, Auger Control (Series 0, 1 & 2)
--	1-6579	DECAL, Auger Control (Series 3)
4	3-6097	HANDLE, Upper (Series 0)
--	3-6164	HANDLE, Upper (Series 1 & 2)
--	3-2917	HANDLE, Upper (Series 3)
5	1-4343	BUSHING (2)
6	1-6324	T-KNOB (Plastic) (2) (Series 3)
7	3-8105	HANDLE, Lower (2) (Series 0)
8	9-0055	WASHER, 1/4 Flat (4)
9	9-0896	SCREW, 1/4-20 x 1-3/8" Hex Washer Self-Tap (4)
10	9-1083	BOLT, 1/4-20 x 2" Short Square Neck Carriage, Grade 5 (Series 3)
11	9-0071	SCREW, 1/4-20 x 1/2" Hex Head cap, Grade 5
12	9-0372	NUT, 1/4-20 Hex Center Lock, Grade B or 5
13	5-1560	ASSEMBLY, Bracket & Bushing (Series 1, 2 & 3)
14	2-8064	HANDLE, Lower, R.H. (Series 1, 2 & 3)
15	2-8065	HANDLE, Lower L.H. (Series 1, 2 & 3)
16	1-5119	CLAMP, Cable (Series 1, 2 & 3)
17	1-2485	RETAINER, 1/4" Bolt
18	9-0583	NUT, 1/4-20 Hex Flange Lock
19	9-0947	BOLT, 1/4-20 x 1-3/8" Square Neck Carriage, Grade 5
	6-0748	BAG, Hardware (Includes 1-4915, Chute Ring Guide and 1-1138, Ignition Key)

COLLECTOR HOUSING, BELTS, PULLEYS, AUGER

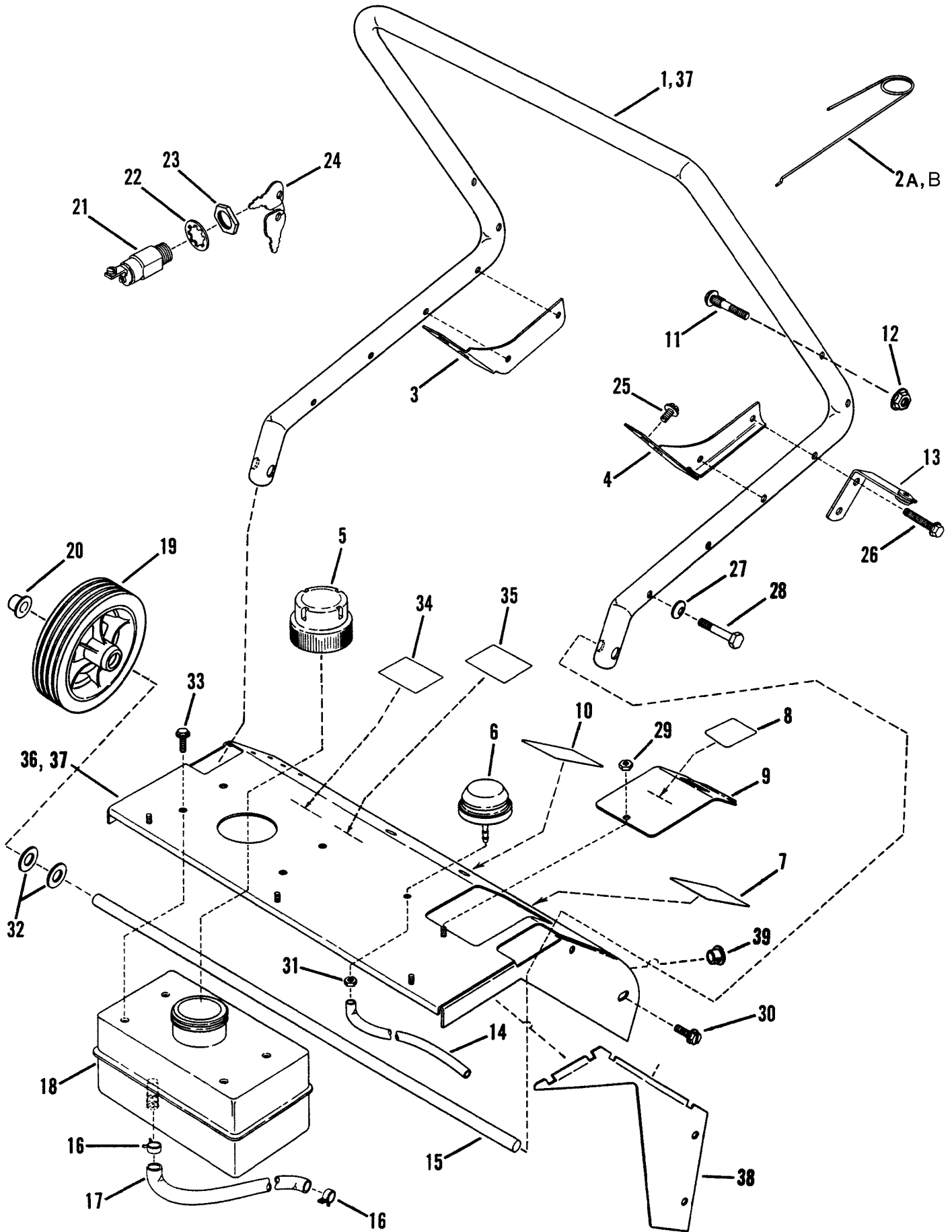


COLLECTOR HOUSING, BELTS, PULLEYS, AUGER

ITEM	PART NO.	DESCRIPTION
1	3-8107	BRACE, Engine
2	1-4941	DECAL, Collector (Replaces 1-3930)
3	1-4657	SPRING, Brake (Series 0)
4	1-4562	PULLEY, Engine
5	3-2345	GUIDE, Belt
6	1-4644	LINKAGE, Idler (Series 0)
7A	5-1439	ASSEMBLY, Idler Arm (Series 0)
7B	5-1506	ASSEMBLY, Idler Arm (Series 1, 2 & 3)
8	1-4722	PULLEY, Idler Arm
9	1-4637	BELT, Auger (Includes Units with B&S & Tecumseh Engines)
10	1-4608	BEARING, Auger (2)
11	3-2346	RETAINER, Bearing
12	1-8635	PULLEY
13A	1-9735	COVER, Belt (Series 0)
13B	1-9753	COVER, Belt (Series 1, 2 & 3)
14	1-4612	FLIGHTING SHOE (2)
15	4-9953	AUGER
16	1-8638	FLIGHTING SHOE (4)
17	1-8764	BLADE, Scraper
18A	4-9952	ASSEMBLY, Blower (Series 0)
18B	4-9722	ASSEMBLY, Blower (Series 1)
18C	5-2001	ASSEMBLY, Blower (Series 2 & 3)
19A	1-8650	CABLE, Clutch (Series 0)
19B	1-8796	CABLE, Clutch (Series 1, 2 & 3) (Replaces 1-4925 & 1-8688)
20	9-0302	SCREW, 1/4-20 x 3/8" Hex Washer Head Self-Tap (2)
21	9-0372	NUT, 1/4-20 Hex Center Lock, Grade B or 5 (4) (Series 0, 1 & 2)
* --	9-1099	NUT, 1/4-20 Hex Center Lock, Grade B or 5 (4) (Series 3)
22	9-0606	BOLT, 5/16-18 x 5/8" Hex Head Flange Lock (4)
23	1-0008	KEY, #6 Woodruff
24	9-0471	SET SCREW, 1/4-20 x 5/16" Cup Point Socket Head (4)
25	9-0822	SCREW, #10-32 x 1/4" Hex Washer face Self-Tap (20) (Series 0, 1 & 2)
* --	9-1080	SCREW, #10-32 x 1/4" Hex Washer Face Self-Tap (20) (Series 3)
26	1-4920	SPRING, Idler Brake (Series 1, 2 & 3)
27A	1-4613	SPACER, Bearing (Series 0)
27B	1-4919	SPACER, Bearing (Series 1, 2 & 3)
28	9-0188	WASHER, 5/16 SAE (Replaces 1-3848)
29	9-0184	NUT, 5/16-18 Hex Center Lock (Series 0, 1 & 2)
* --	9-1067	NUT, 5/16-18 Hex Center Lock (Series 3)
30	1-0935	WASHER, .767 I.D., 1.125 O.D. Flat
31	1-4654	SCREW, #10-24 x 5/8" Hex Washer Self-Tap (28)
32	9-0623	NUT, #10-24 Hex Flange Lock (5) (Series 0, 1 & 2)
* --	9-1079	NUT, #10-24 Hex Flange Lock (5) (Series 3)
33	9-0530	BOLT, #10-24 x 1/2" Square Neck Carriage, Grade 2 (4)
34	1-4739	DECAL, Instruction
35	6-0631	KIT, Rubber Blade Replacement (Includes items 14 & 16)
36	5-1440	ASSEMBLY, Auger (Includes items 14, 15, 16 & 31)
37	9-0363	SCREW, #10-24 x 5/8" Hex Washer Face Self-Tap (Series 1 & 2)
* --	9-1075	SCREW, #10-24 x 5/8" Hex Washer face Self-Tap, Grade 5 (Series 3)
38	9-0960	BOLT, #10-24 x 1/2" Flat Head Carriage (3) (Series 1 & 2)
* --	9-1085	BOLT, #10-24 x 1/2" Flat Head Carriage (4) (Series 3)

***NOTE: These Parts are used on Series 3 Models only;
They are Black Zinc Coated.**

CONTROL PANEL, LOWER HANDLE

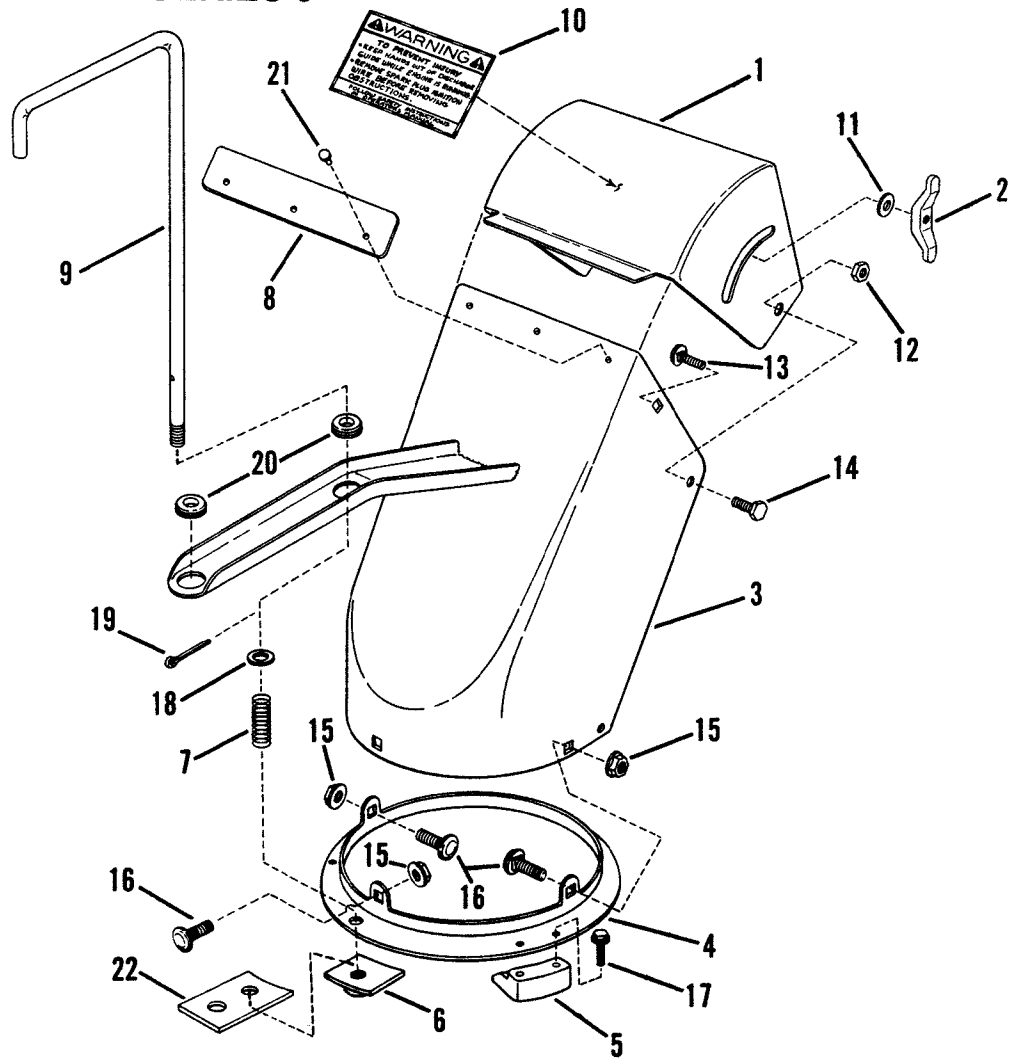


CONTROL PANEL, LOWER HANDLE

ITEM	PART NO.	DESCRIPTION
1	3-6165	HANDLE, Lower (Replaces 3-6094)(Units Prior to 1986; use item 37)
2A	1-4647	CONTROL, Choke (Briggs)
2B	1-4918	CONTROL, Choke (Tecumseh) (Replaces 1-4648)
3	3-8109	BRACE, Handle (Right Hand)
4	3-8110	BRACE, Handle (Left Hand)
5	1-4636	CAP, Fuel Tank
6	1-4638	PRIMER, Fuel (Tecumseh)
--	1-8656	PRIMER, Fuel (Briggs)
7	1-4635	DECAL, Choke
8	1-4640	DECAL, Spark Plug Access
9	3-2353	COVER, Access Hole
10	1-4641	DECAL, Controls
11	9-0947	BOLT, 1/4-20 x 1-3/8" Square Neck Carriage, Grade 5 (4)
12	9-0583	NUT, 1/4-20 Hex Flange Lock (4)
13	5-1560	ASSEMBLY, Bracket & Bushing
14	1-4639	HOSE, Primer
15	3-2366	AXLE
16	1-2222	CLAMP, Fuel Line (2)
17	3-2365	LINE, Fuel
18	1-9736	TANK, Fuel
19	1-8640	WHEEL (2)
20	1-4667	NUT, 3/8" Push (2)
21	1-5211	SWITCH, Ignition (Replaces 1-1853) (Includes items 22 & 23)
22	9-0880	WASHER, 5/8" Internal Tooth Lock
23	1-2685	NUT, 5/8-32 Hex (Special)
24	1-1138	KEY, Ignition (2)
25	9-0822	SCREW, #10-32 x 1/4" Hex Washer Face Self-Tap (4) (Series 0, 1 & 2)
* --	9-1080	SCREW, #10-32 x 1/4" Hex Washer Face Self-Tap (4) (Series 3)
26	9-0896	SCREW, 1/4-20 x 3/8" Hex Washer Face Self-Tap (4)
27	1-4645	WASHER, 1/4" Curved (4)
28	9-0825	BOLT, 1/4-20 x 1-1/4" Hex Head, Grade 5 (4)
29	9-0623	NUT, #10-24 Hex Flange Lock (Series 0, 1 & 2)
* --	9-1079	NUT, #10-24 Hex Flange Lock (Series 3)
30	9-0856	SCREW, Drill, #10-24 x 1/2" Hex Washer Face (4)
31	9-0372	NUT, 1/4-20 Hex Center Lock, Grade B or 5
32	9-0122	WASHER, 3/8 SAE (4)
33	9-0855	SCREW, 1/4-15 x 3/4" Hex Washer Face, Self-Tap (Plastic) (4) (Ser. 0,1 & 2)
* --	9-1081	SCREW, 1/4-15 x 3/4" Hex Washer Face, Self Tap (Plastic) (4) (Series 3)
34	1-8652	DECAL, Fuel Mix Chart (Tecumseh)
--	1-4764	DECAL, Fuel Mix Chart (Briggs)
35	1-8653	DECAL, Warning, Fuel Mix (Tecumseh)
36	4-9963	WELDMENT, Handle/Panel (3201 Series) (For Units Prior to 1986, Use Item 37)
37	5-1613	ASSEMBLY, Lower Handle/Panel (Includes Items 1, 11 & 36)
38	3-2943	BAFFLE, L.H. (Series 3)
39	1-6401	PLUG, 1/2" Panel (Series 3) (or 1-5158)
--	6-1011	KIT, Snow Infiltration

* NOTE: These Parts are used on Series 3 Models only; They are Black Zinc Coated.

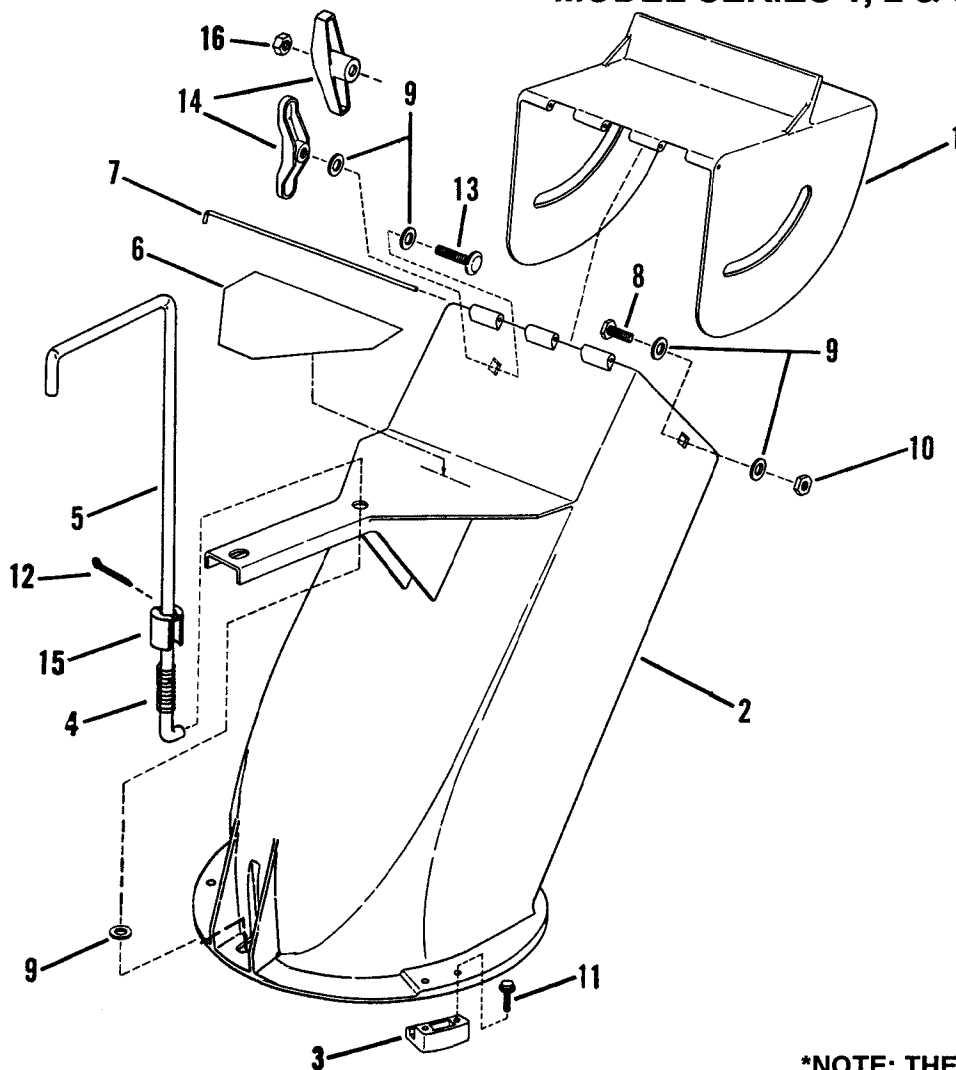
DISCHARGE PARTS- MODEL SERIES 0



3200 SERIES

ITEM	PART NO.	DESCRIPTION
1	3-7966	DEFLECTOR, Discharge
2	1-4207	WING-NUT, 1/4-20
3	4-7842	CHUTE, Discharge
4	3-6096	RING, Chute
5	1-1938	RETAINER (Chute Ring to Housing) (3)
6	5-1445	BRAKE SHOE
7	1-2093	SPRING
8	1-4316	WIPER
9	1-8636	ROD, Release
10	1-3929	DECAL, Deflector Warning
11	9-0055	WASHER, 1/4" SAE
12	9-0184	NUT, 5/16-5/16-18 Hex Center Lock (2)
13	9-0074	BOLT, 1/4-20 x 3/4" Short Neck Carriage, Grade 5
14	9-0203	SCREW, 5/16-18 x 1/2" Hex Head Cap, Grade 2 (2)
15	1-2625	NUT, 5/16-18 Hex Flange (3)
16	9-0731	BOLT, 5/16-18 x 1/2" Short Neck Carriage, Grade 5 (3)
17	9-0363	SCREW, #10-24 x 5/8" Hex Washer Face (6)
18	9-0188	WASHER, 5/16 SAE Flat
19	9-0360	COTTER PIN, 1/16 x 3/4"
20	1-4603	GROMMET, Rubber (2)
21	9-0814	RIVET (3)
22	1-4773	PAD, Brake

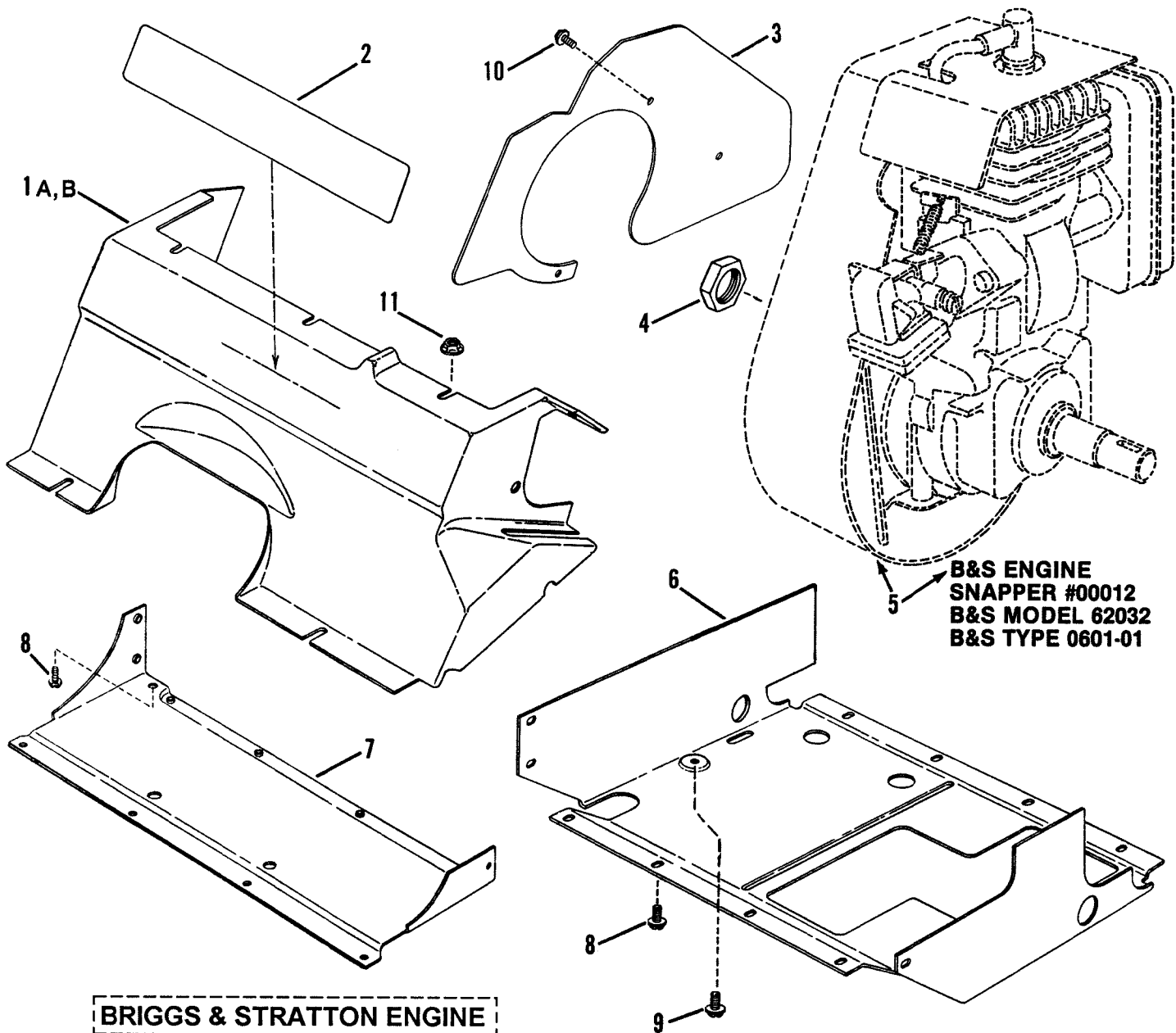
MODEL SERIES 1, 2 & 3- DISCHARGE PARTS



***NOTE: THESE PARTS ARE USED ON SERIES 3 MODELS ONLY; THEY ARE BLACK ZINC COATED.**

ITEM	PART NO.	DESCRIPTION
1**	1-9745	DEFLECTOR, Discharge
2**	5-2002	ASSEMBLY, Chute & Discharge Decal
3	1-4915	RETAINER, Chute to Housing (3)
4	1-2093	SPRING, Release Rod (Series 1 & 2)
* -	1-6330	SPRING, Release Rod (Series 3)
5	1-8686	ROD, Release (Series 1 & 2)
* -	1-6329	ROD, Release (Series 3)
6**	1-4929	DECAL, Chute Danger
7**	1-4916	PIN, Wire Hinge
8	9-0238	SCREW, 5/16-24 x 1" Hex Head Cap, Grade 5 (2) (Series 1 & 2)
* -	9-1021	SCREW, 5/16-24 x 1" Hex Head Cap, Grade 5 (2) (Series 3)
9	9-0188	WASHER, 5/16 Flat (4) (Series 1 & 2)
* -	9-1076	WASHER, 5/16 Flat (4) (Series 3)
10	9-0222	NUT, 5/16-24 Hex Center Lock (2) (Series 1 & 2)
* -	9-1074	NUT, 5/16-24 Hex Center Lock, Grade B (2) (Series 3)
11	9-0363	SCREW, #10-24 x 5/8" Hex Washer Face Self-Tap (6) (Series 1 & 2)
* -	9-1075	SCREW, #10-24 x 5/8" Hex Washer Face Self-Tap (6) (Series 3)
12	9-0037	PIN, 3/32 x 3/4" Cotter
* -	9-1082	PIN, 3/32 x 3/4" Cotter
13	9-0383	BOLT, 5/16-18 x 1" Square Neck Carriage, Grade 5 (Series 1 & 2)
* -	9-1072	BOLT, 5/16-18 x 1" Square neck Carriage, Grade 5 (Series 3)
14	1-4468	NUT, 5/16-18 Wing (Series 1 & 2)
* -	1-6324	T-KNOB (Plastic) (Series 3)
15	3-2765	STOP, Handle (Series 2)
* -	3-2919	STOP, Handle (Series 3)
16	9-1069	NUT, 5/16-18 Hex, Grade 5 (Series 3)
-	5-3488	ASSEMBLY, Chute (Includes ** marked items above)

ENGINES, COVERS

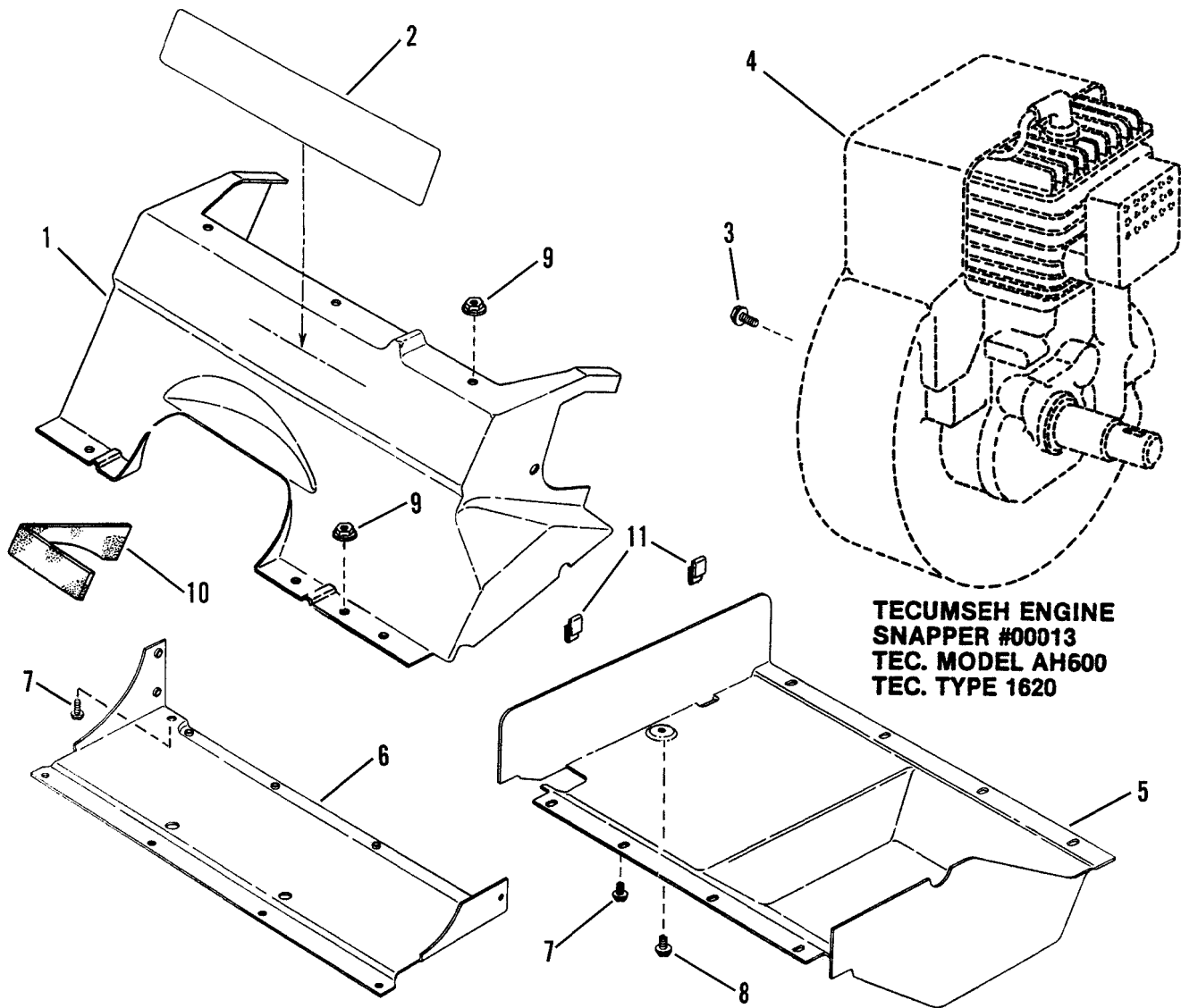


**B&S ENGINE
SNAPPER #00012
B&S MODEL 62032
B&S TYPE 0601-01**

BRIGGS & STRATTON ENGINE

ITEM	PART NO.	DESCRIPTION
1A	6-0755	KIT, Front Cover (Includes item 1B) (Series 0)
1B	1-6001*	COVER, Top (Series 1 & 2) (Replaces 1-9988)
2	1-8593	DECAL, Snapper (used on item 1A)
3	1-9737	PARTITION
4	9-0771	NUT, 1/4-20 Hex Flange Lock
5	0-0012	ENGINE, Briggs & Stratton 2 Cycle
6	3-5040	COVER, Bottom
7	3-6098	BRACE
8	9-0822	SCREW, #10-24 x 1/4" Hex Washer Self-Tap (10)
9	9-0856	SCREW, #10-24 x 1/2" Hex Washer Self-Tap (2)
10	9-0525	SCREW, #8-18 x 1/2" Hex Head Sheet Metal (3)
11	9-0623	NUT, #10-24 Hex Flange Lock (5)

* See Page 11



TECUMSEH ENGINE

ITEM	PART NO.	DESCRIPTION
1	6-0755	COVER, Top (Series 0)
**	2-7401	COVER, Top (Series 1 & 2) (Replaces 3-8172)
--	2-7401	COVER, Top (Series 3)
2	1-8593	DECAL, Snapper
3	9-0676	BOLT, 1/4-20 x 3/8" Hex Flange Lock, Grade 5
4	0-0013	ENGINE, Tecumseh 2-Cycle
5	1-9980	COVER, Bottom
6	3-6098	BLADE
7	9-0822	SCREW, #10-24 x 1/4" Hex Washer Self-Tap (13) (Series 0, 1 & 2)
*--	9-1080	SCREW, #10-32 x 1/4" Hex Washer Self-Tap (13) (Series 3)
8	9-0856	SCREW, #10-24 x 1/2" Hex Washer Self-Tap (2)
9	9-0623	NUT, #10-24 Hex Flange Lock (5) (Series 0, 1 & 2)
*--	9-1079	NUT, #10-24 Hex Flange Lock (5) (Series 3)
10	1-9350	SEAL, Foam
11	1-9362	CLIP, "S" (2)

*NOTE: THESE PARTS ARE USED ON SERIES 3 MODELS ONLY; THEY ARE BLACK ZINC COATED.

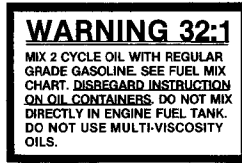
** Must Be Furnished with (1) 5-1560 & (2) 9-0896 For Machines Built In 1984.

SNAPPER®

1-8593



1-6579



1-8653

1-8652 (TEC.)
1-4764 (B&S)

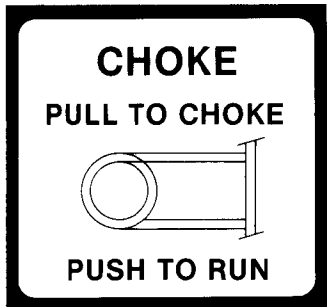
FUEL MIX CHART					
U.S.		IMPERIAL		METRIC	
GAS	OIL	GAS	OIL	PETROL	OIL
GAL.	OZ.	GAL.	OZ.	LITERS	L.
1	4	1	5.0	4	125
2	8	2	10	8	250
5	20	5	25	20	625



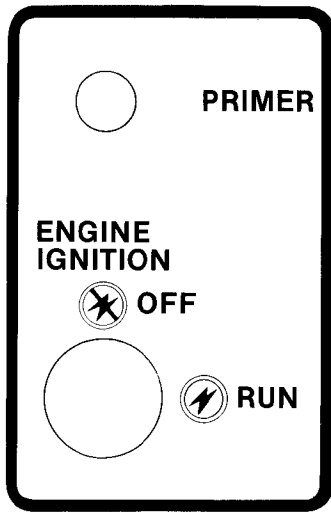
1-3929 (3200 Series)*



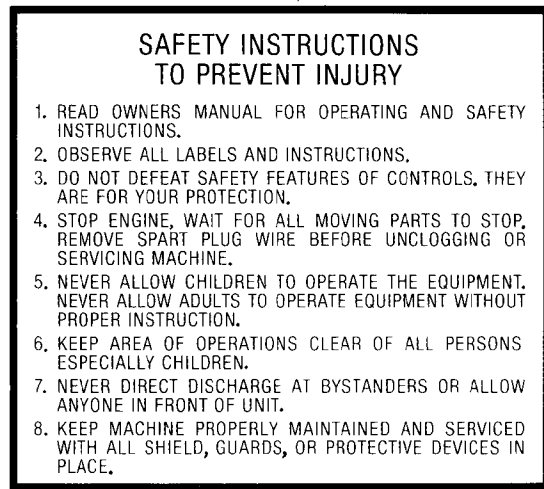
1-3930 (3200 Series)*
1-4739



1-4635



1-4641



*See page 13 for 3201 Series Decals



1-6578 (3201 Series) was 1-4941
(3202 Series)
(3203 Series)

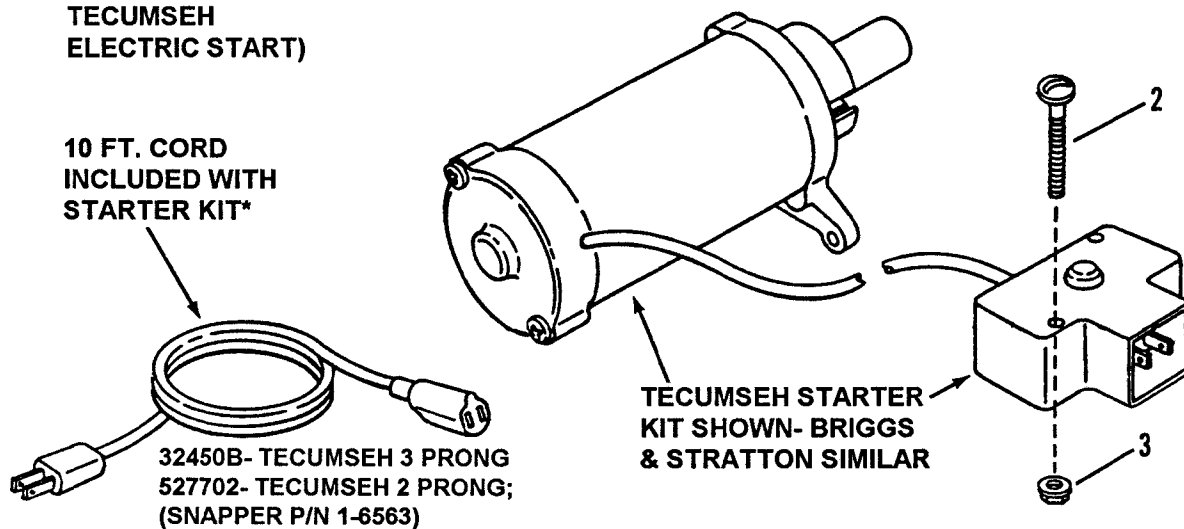


1-4929 (3201 Series)
(3202 Series)
(3203 Series)

FOREIGN LANGUAGE DECAL SETS: 6-0681 (French), 6-0682 (German), 6-0683 (Italian)

ELECTRIC START

- ① **ELECTRIC START KITS (STANDARD FOR TECUMSEH ELECTRIC START)**



ITEM	PART NO.	DESCRIPTION
1	6-0607	KIT, Electric Start (for Briggs Engine)
--	6-0608	KIT, Electric Start (for Tecumseh Engine)
2	9-0866	SCREW, #10-24 x 1-3/4" Cross Recess Pan Head (2) Briggs only
3	9-0623	NUT, #10-24 Hex Lock (2) Briggs only

*Parts Available Only from Engine Manufacturer.

Parts Manual

for

SNAPPER[®]

3200, 3201, 3202, 3203

SERIES

SINGLE STAGE

SNOW THROWER

NOTE: The series number is the last numeral in the model number.

SNAPPER[®] McDonough, GA., 30253 U.S.A.