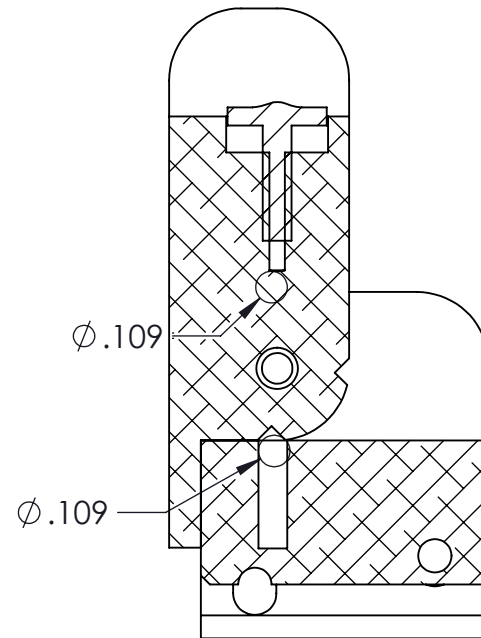
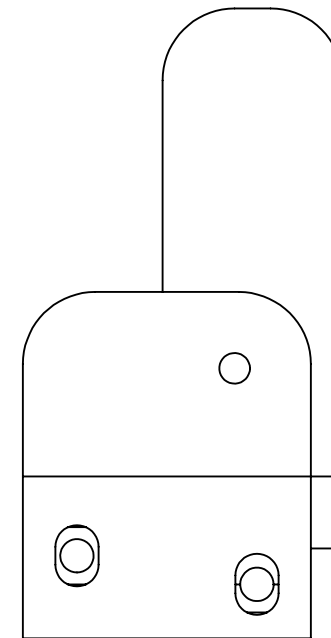
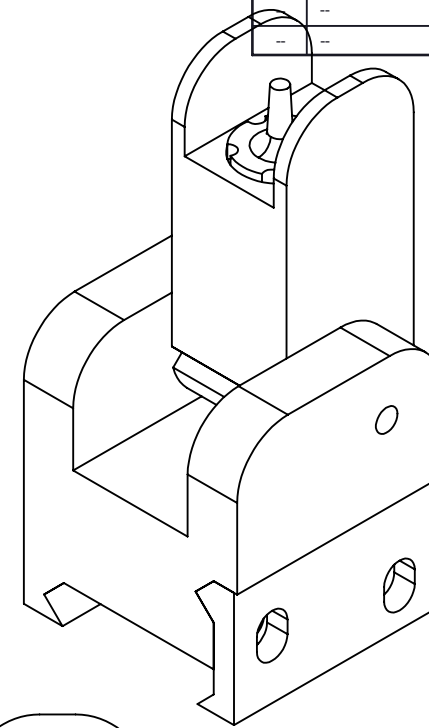
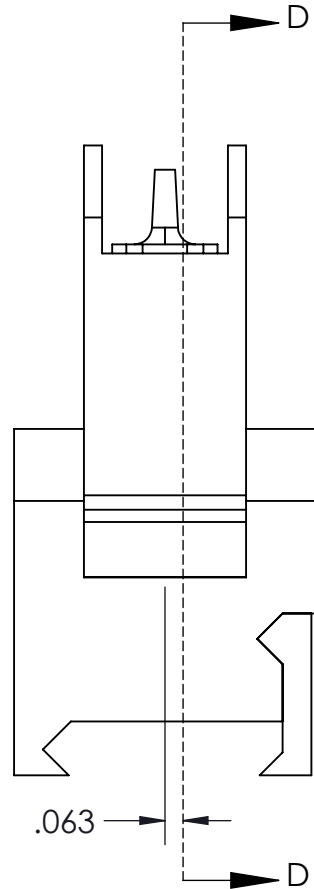
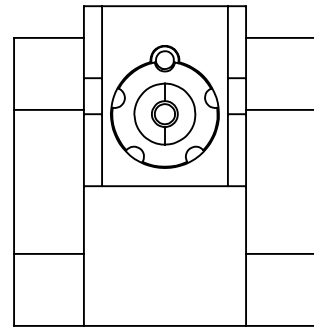


REVISIONS			
LTR.	ECO	APPROVAL	DATE
--		--	
--		--	



SECTION D-D



AEROSTAR INTERNATIONAL, INC. RESERVES ALL PROPRIETARY RIGHTS TO INFORMATION DISCLOSED HEREIN; INCLUDING RIGHTS OF PATENT, COPY-RIGHT, USE, SALE, MANUFACTURING AND/OR REPRODUCTION

NEXT ASSEMBLY	UNLESS OTHERWISE SPECIFIED	CHECKED: --	
	DIMENSIONS ARE IN INCHES	PROJ. ENG. --	
	ONE PLACE DECIMALS ±0.06	PRODUCTION: --	
	TWO PLACE DECIMALS ±0.03	CUSTOMER --	
	THREE PLACE DECIMALS ±0.010	MATERIAL --	
	FRACTIONS ±1/4	FINISH --	
ANGLES ±0.5°			
BREAK EDGES .005-.015			
FABRIC DIMENSION TOLERANCES			
N/A			

NOTICE:  
THIS DRAWING AND THE INFORMATION PROVIDED ARE PROPERTY OF RAVEN INDUSTRIES INC., AND MAY ONLY BE USED AS AUTHORIZED BY RAVEN INDUSTRIES INC.  
ALL RIGHTS RESERVED UNDER THE COPYRIGHT LAWS.

**AEROSTAR**  
INTERNATIONAL

RAVEN

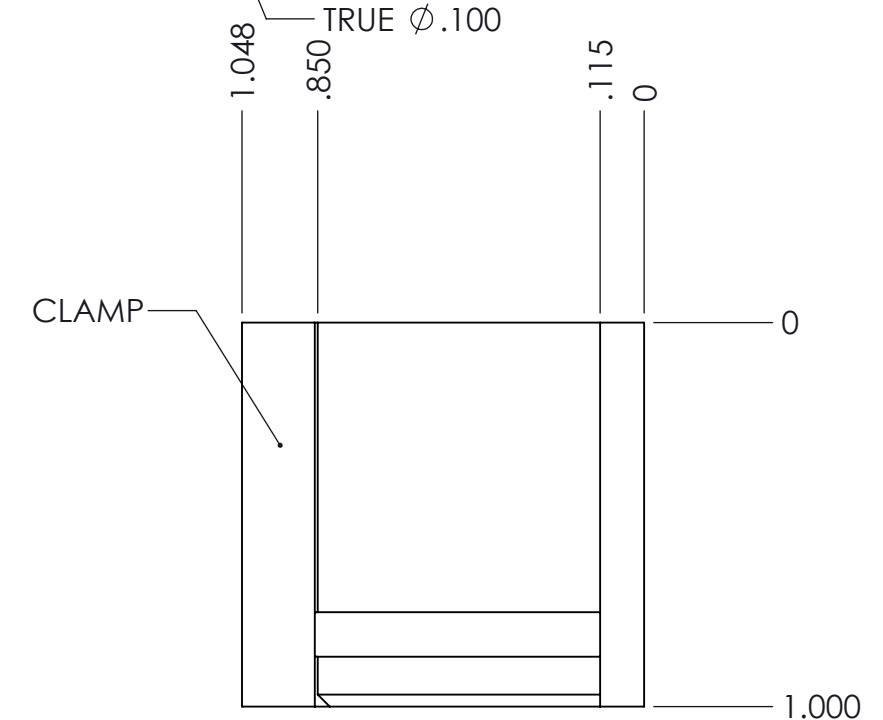
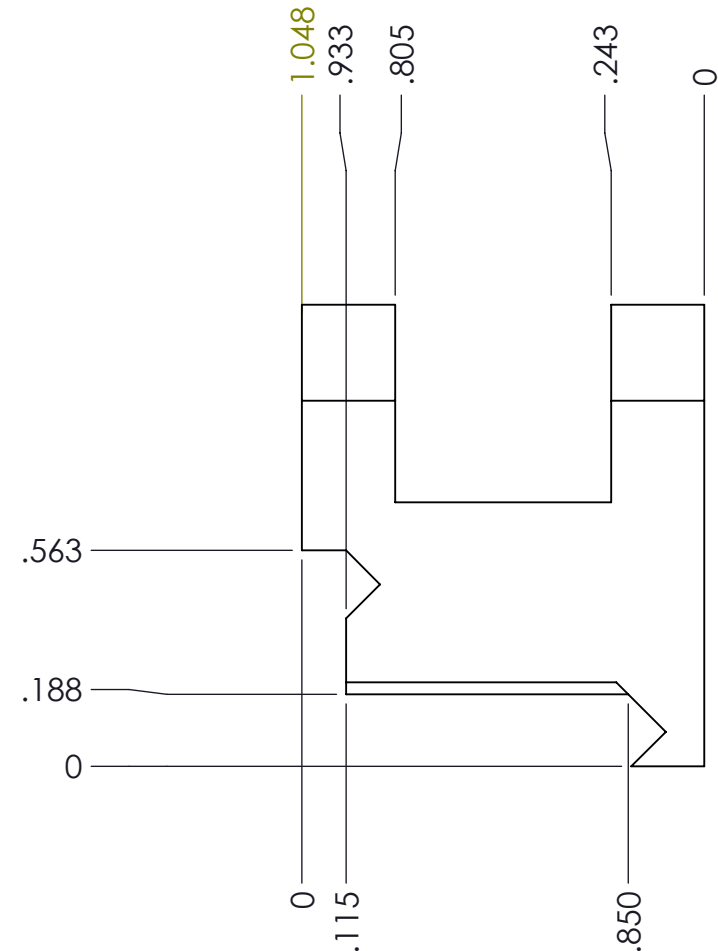
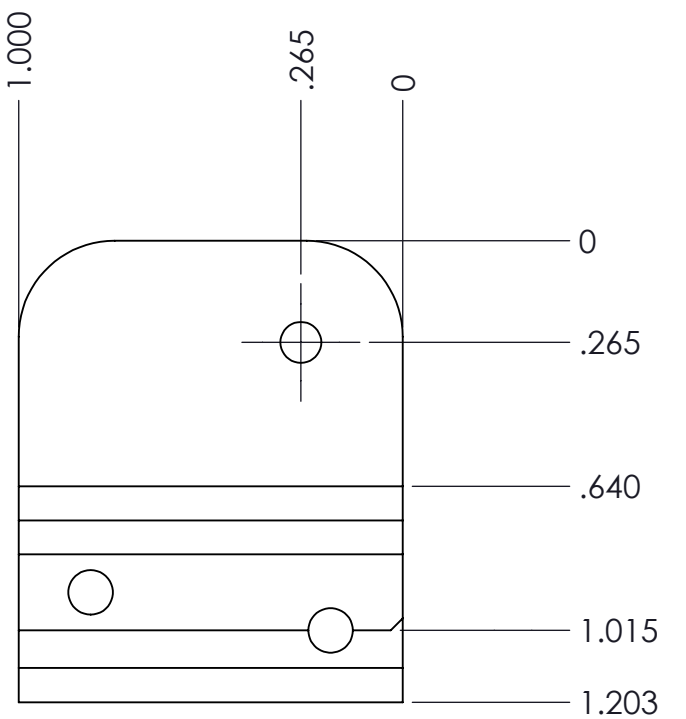
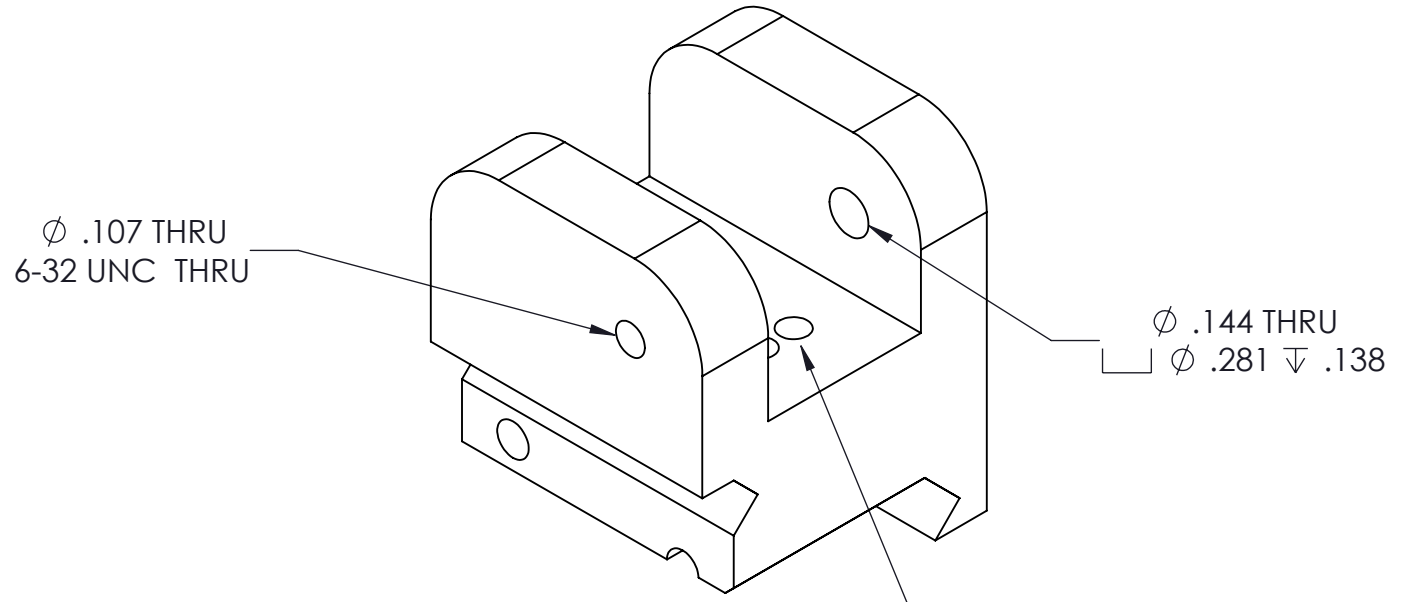
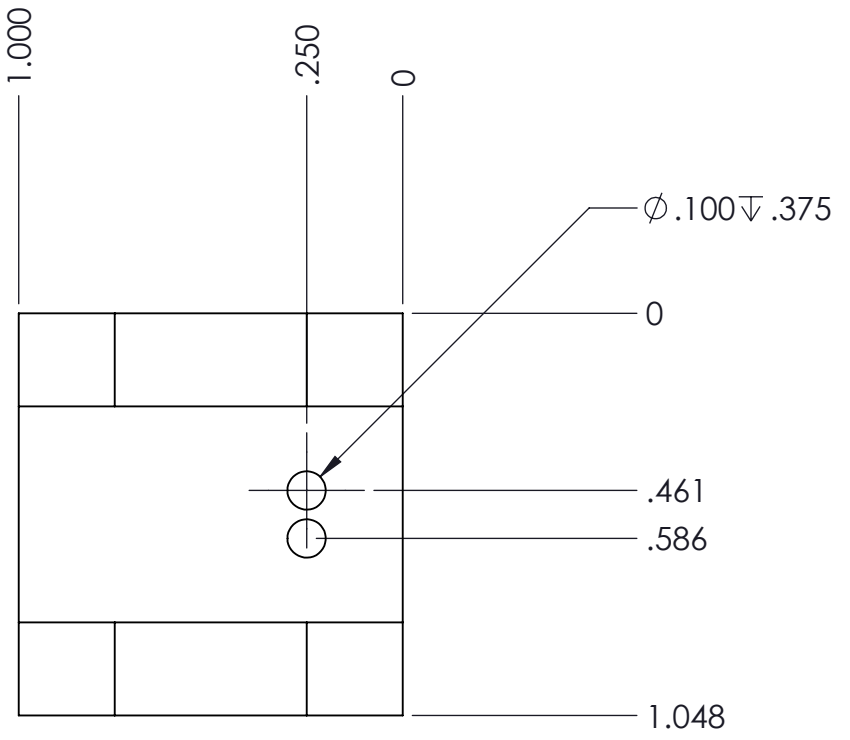
TITLE AR-15 SIGHTS  
FRONT SIGHT ASSEMBLY

CODE IDENT NO.	SIZE	DRAWING NUMBER	REVISION
49816	B	--	--
SCALE	3:2	SHEET 1 OF 4	

DRAWN: --

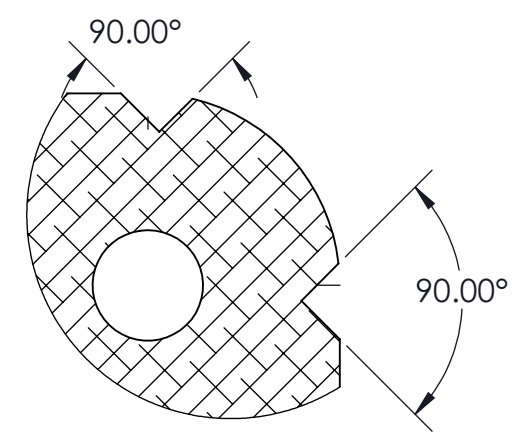
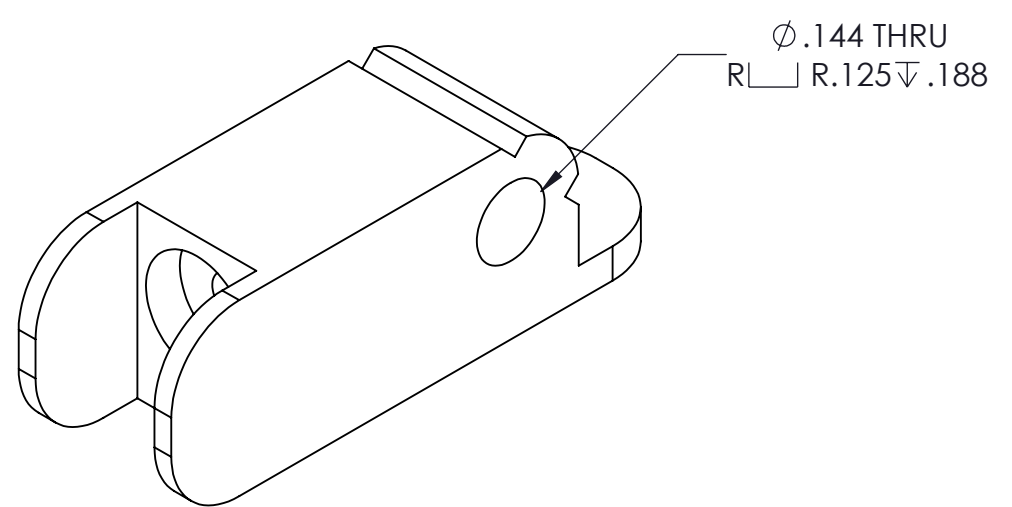
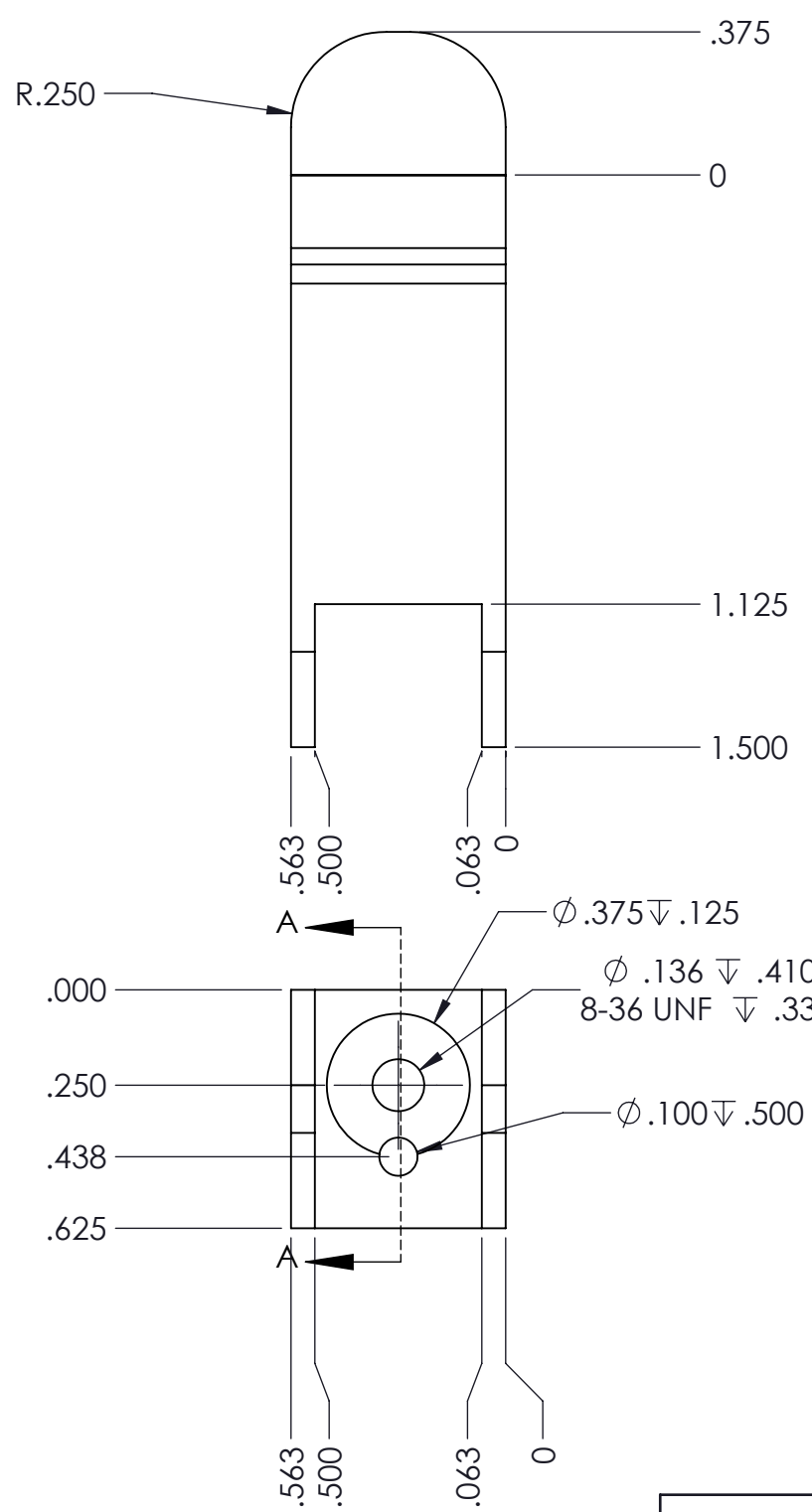
DO NOT SCALE DRAWING

REVISIONS	
SEE SHEET 1 FOR REVISIONS	

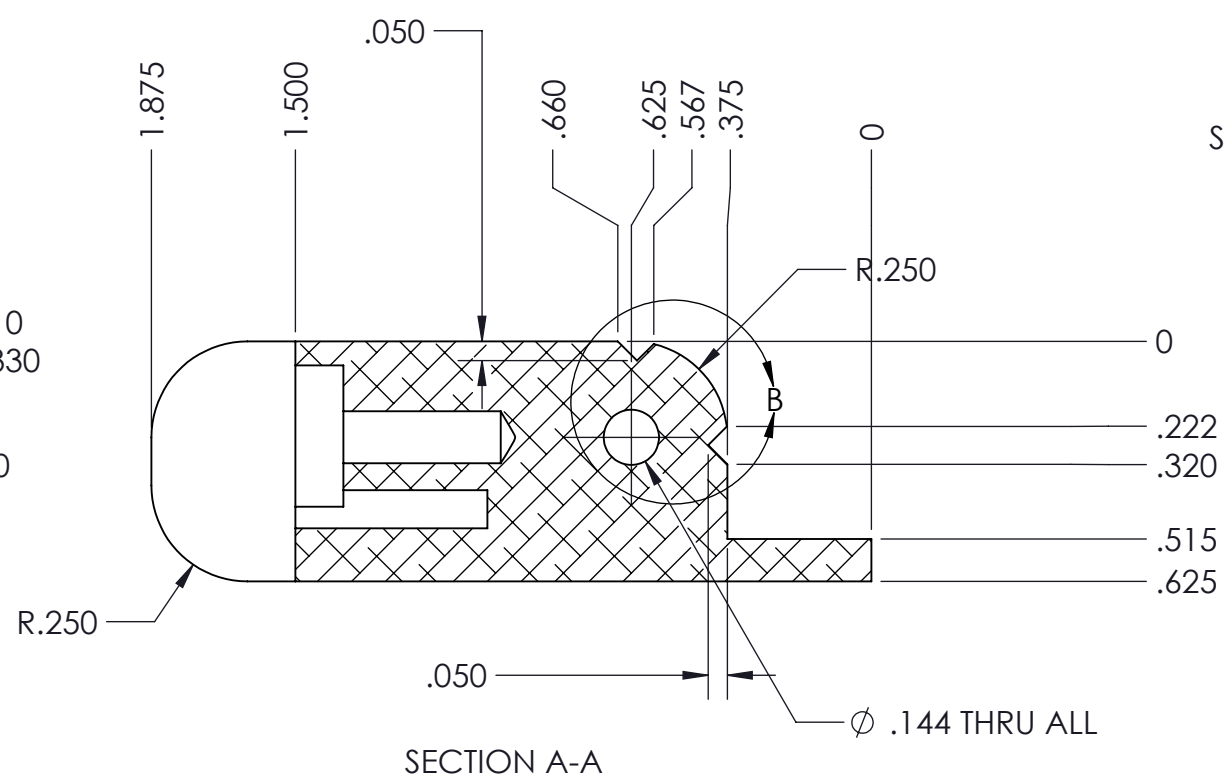


CODE IDENT. NO. 14979	SIZE B	DRAWING NUMBER --	REVISION --
DO NOT SCALE DRAWING		SCALE 2:1	SHEET 2

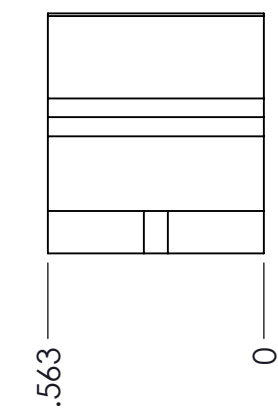
REVISIONS			
LTR.	ECO	APPROVAL	DATE
--	--	--	
--	--	--	



DETAIL B  
SCALE 4:1



SECTION A-A



UNLESS OTHERWISE SPECIFIED	CHECKED: --	NOTICE:
DIMENSIONS ARE IN INCHES	PROJ. ENG. --	THIS DRAWING AND THE INFORMATION
ONE PLACE DECIMALS ±0.06	PRODUCTION: --	PROVIDED ARE PROPERTY OF RAVEN
TWO PLACE DECIMALS ±0.03	CUSTOMER --	INDUSTRIES INC., AND MAY ONLY BE
THREE PLACE DECIMALS ±0.010	MATERIAL --	USED AS AUTHORIZED BY RAVEN
FRACTIONS ±1/4	FINISH --	INDUSTRIES INC.
ANGLES ±0.5°		ALL RIGHTS RESERVED UNDER THE
BREAK EDGES .005-.015		COPYRIGHT LAWS.
FABRIC DIMENSION TOLERANCES		
N/A		
NEXT ASSEMBLY		

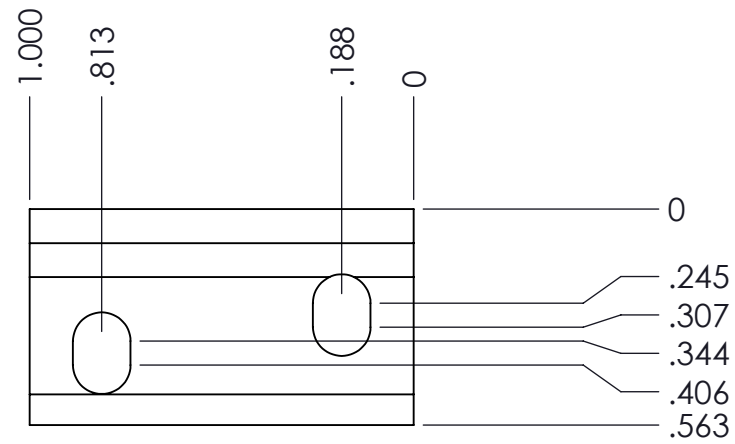
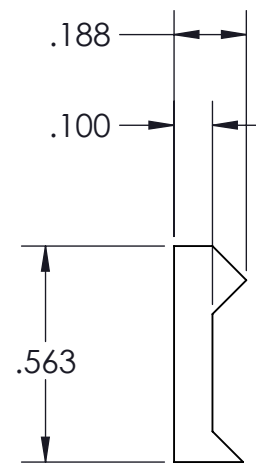
NOTICE:  
THIS DRAWING AND THE INFORMATION  
PROVIDED ARE PROPERTY OF RAVEN  
INDUSTRIES INC., AND MAY ONLY BE  
USED AS AUTHORIZED BY RAVEN  
INDUSTRIES INC.  
ALL RIGHTS RESERVED UNDER THE  
COPYRIGHT LAWS.



TITLE AR-15 SIGHTS FRONT SIGHT ASSEMBLY			
CODE IDENT NO.	SIZE	DRAWING NUMBER	REVISION
49816	B	--	--
SCALE	2:1	SHEET	3 OF 4

AEROSTAR INTERNATIONAL, INC. RESERVES ALL PROPRIETARY RIGHTS TO INFORMATION DISCLOSED HEREIN; INCLUDING RIGHTS OF PATENT, COPY-RIGHT, USE, SALE, MANUFACTURING AND/OR REPRODUCTION

REVISIONS			
LTR.	ECO	APPROVAL	DATE
--	--	--	
--	--	--	



AEROSTAR INTERNATIONAL, INC. RESERVES ALL PROPRIETARY RIGHTS TO INFORMATION DISCLOSED HEREIN; INCLUDING RIGHTS OF PATENT, COPY-RIGHT, USE, SALE, MANUFACTURING AND/OR REPRODUCTION

	UNLESS OTHERWISE SPECIFIED	CHECKED: --	
	DIMENSIONS ARE IN INCHES	PROJ. ENG. --	
	ONE PLACE DECIMALS ±0.06	PRODUCTION: --	
	TWO PLACE DECIMALS ±0.03	CUSTOMER --	
	THREE PLACE DECIMALS ±0.010	MATERIAL --	
	FRACTIONS ±1/4	FINISH --	
	ANGLES ±0.5°		
	BREAK EDGES .005-.015		
	FABRIC DIMENSION TOLERANCES		
	N/A		
NEXT ASSEMBLY			

NOTICE:  
THIS DRAWING AND THE INFORMATION PROVIDED ARE PROPERTY OF RAVEN INDUSTRIES INC., AND MAY ONLY BE USED AS AUTHORIZED BY RAVEN INDUSTRIES INC.  
ALL RIGHTS RESERVED UNDER THE COPYRIGHT LAWS.

DRAWN: --



TITLE AR-15 SIGHTS FRONT SIGHT ASSEMBLY			
CODE IDENT NO.	SIZE	DRAWING NUMBER	REVISION
49816	B	--	--
SCALE 2:1		SHEET 4 OF 4	

