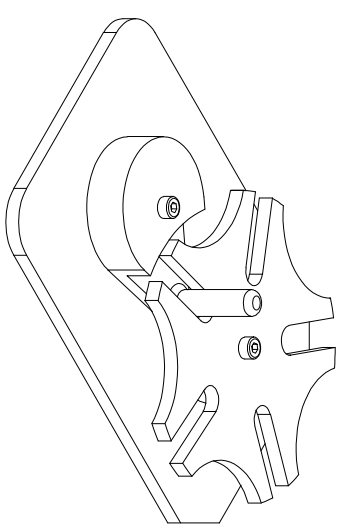
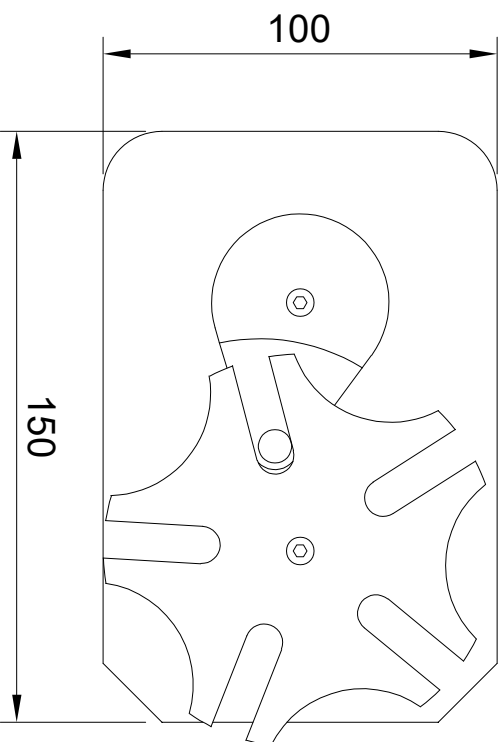
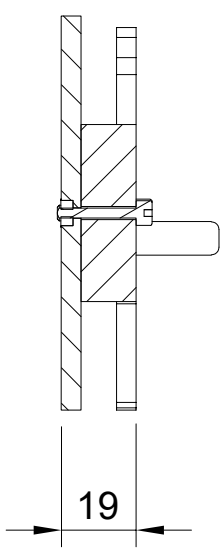


A-A (1:2)



| Parts List | | |
|------------|-----|-------------|
| Item | Qty | Part Number |
| 1 | 1 | Base |
| 2 | 1 | Handle |
| 3 | 1 | Cross |
| 4 | 2 | Nut M4 |
| 5 | 2 | Screw M4x20 |

| | | | |
|-------|---------------------|---------------------|---|
| Dept. | Technical reference | Created by | Approved by |
| | | Pistacchio Graphic | |
| | | Document type | Document status |
| | | Fusion 360 #20 | https://youtu.be/CbjpnnEgpb8 |
| | | Title | DWG No. |
| | | Geneva cross | |
| Rev. | Date of issue | Sheet | |
| | 12/02/2023 | 1/1 | |