

# Guitar Holder

made with a lot of love for shiri  
hope it could help you too



# BOM

shopping list

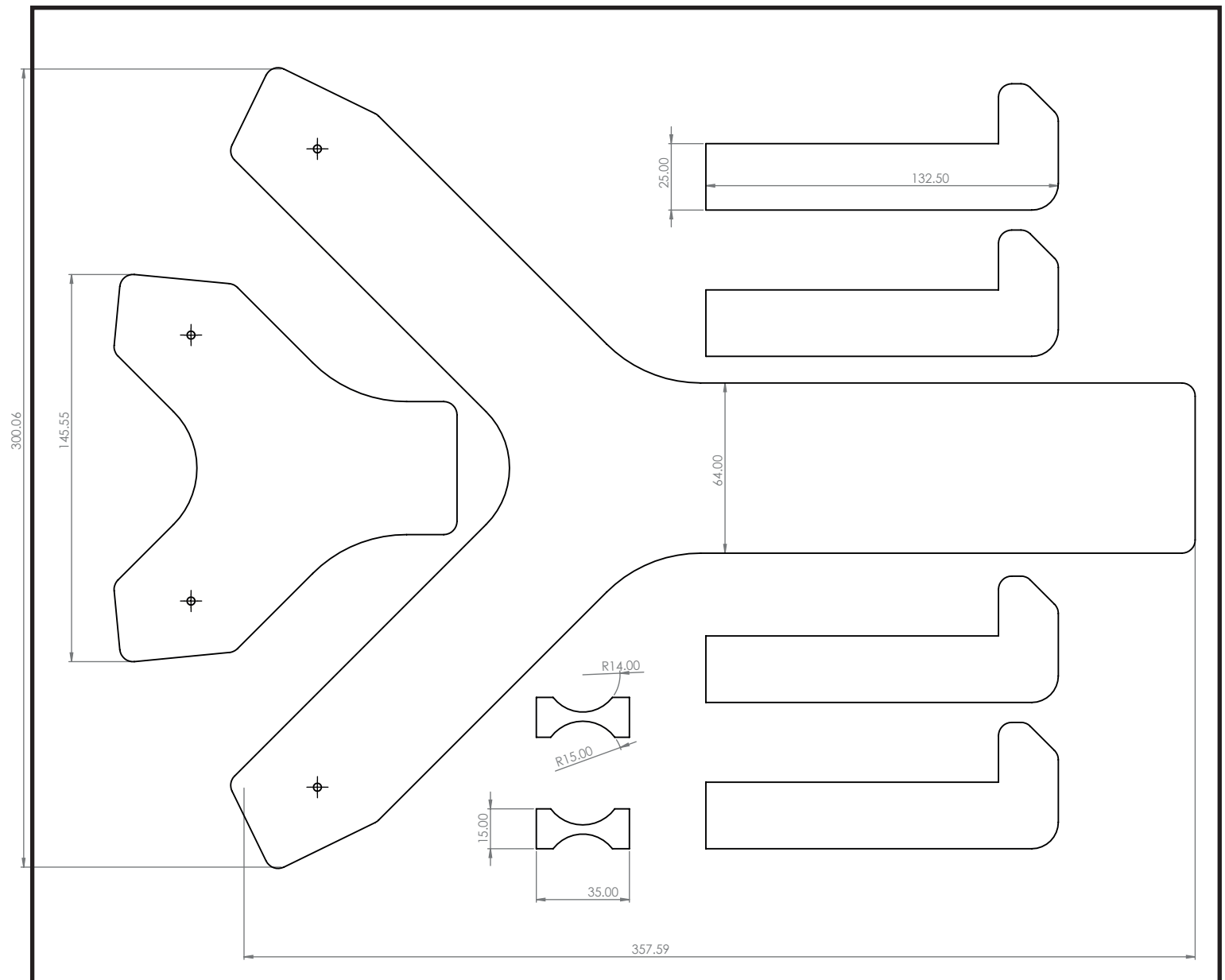


| Wheelchair Guitar Holder - Bom |   |                    |               |           |
|--------------------------------|---|--------------------|---------------|-----------|
| No.                            | Part  | Name               | Size \ Amount | Material  |
| 1                              | Guitar Holder                                 | Plywood 17mm       | 32cm*42cm     | Birch     |
| 2                              | Main Rod                                      | Pipe 16Ø           | 60 cm         | Steel     |
| 3                              | Wheel Chair connector & Rod to Wood Connector | Pipe 23Ø           | 30cm          | Steel     |
| 4                              | Pin, strap Holders                            | Rod 6Ø             | 20cm          | Steel     |
| 5                              | Rail  | Rod 7Ø             | 44cm          | Steel     |
| 6                              | Rail  | Pipe 10Ø           | 20cm          | Pvc       |
| 7                              | Guitar Fastner                                | Strap              | 40cm          | Fabric    |
| 8                              | Guitar Fastner                                | Strap ratchet head | 1             | Metal     |
| 9                              | Rod to Wood Connector                         | Metal-sheet 2mm    | 7cm*7cm       | Steel     |
| 10                             | Metal to Wood Parts                           | Screw 15mm         | 6             | Steel     |
| 11                             | Wood to Wood Parts                            | Screw 50mm         | 8             | Steel     |
| 12                             | Edges   | Stl Files          | 4             | Pla \ Stl |
| 13                             | Guitar Soft Connection                        | Eva Foam Sheet     | 30cm*40cm     | Eva       |
| 14                             | Adjustment Screw                              | Butterfly Screw    | 1             | Steel     |
| 15                             | Wheel Chair connector                         | U Pipe Holder 1"   | 2             | Steel     |
| 16                             | Wheel Chair connector                         | U Pipe Holder 1/2" | 2             | Steel     |

# Main body

Birch PlyWood

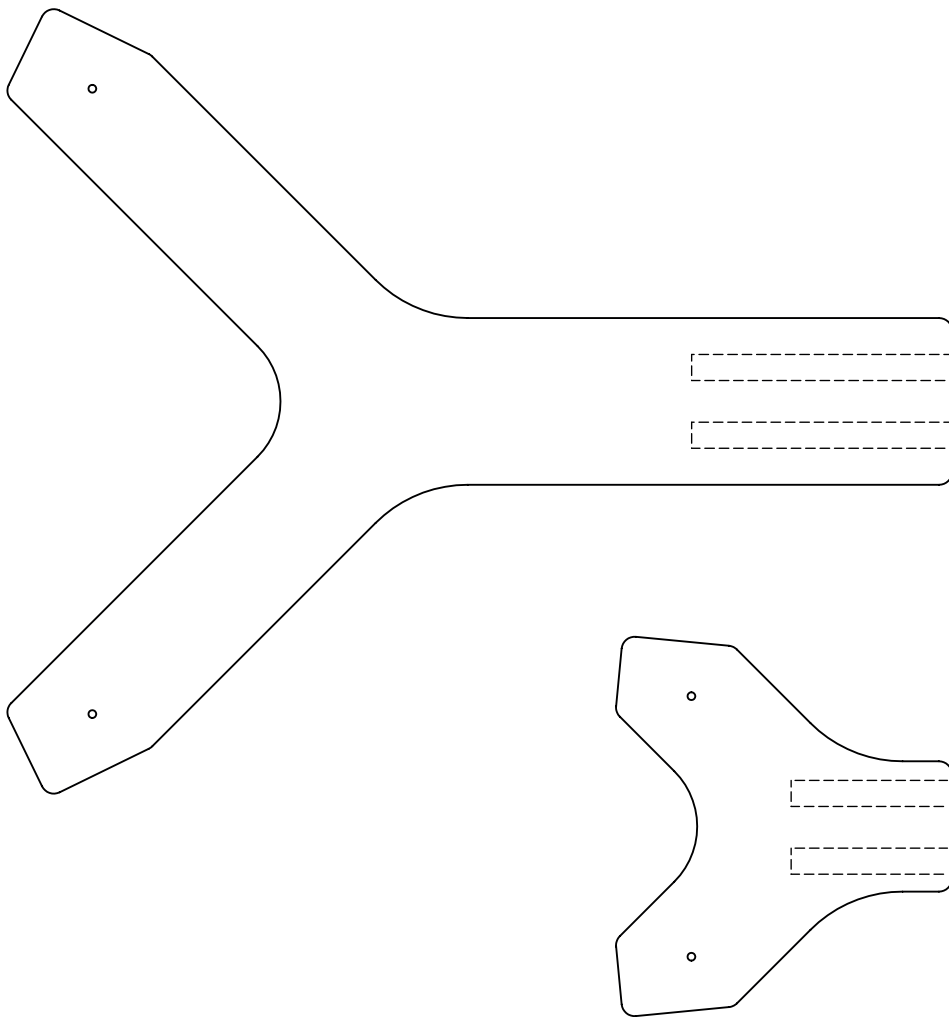
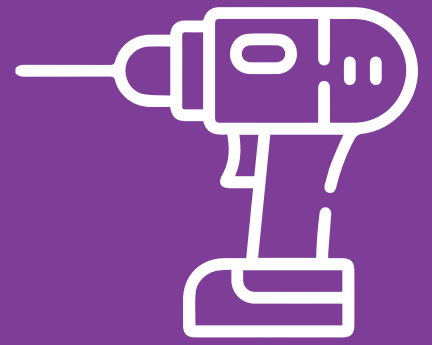
print pdf on an A2 paper, glue to the wood  
and cut



# Body Rails

10mm drill

drill carefully on sreght line

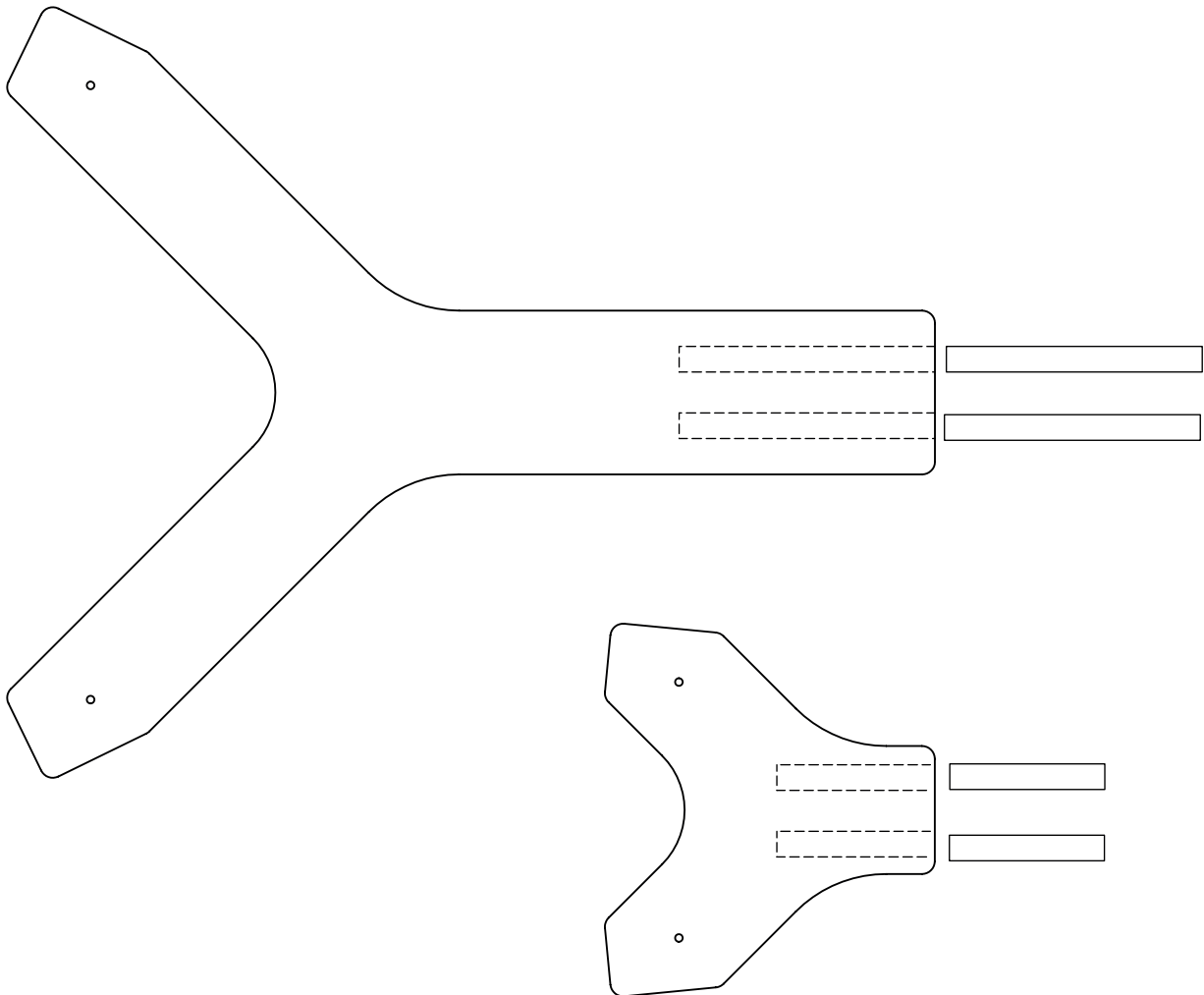


# Body Rails

Pcv pipe 10Ø & Metal Rod 7Ø

glue the pvc pipe in the holes

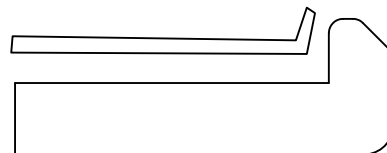
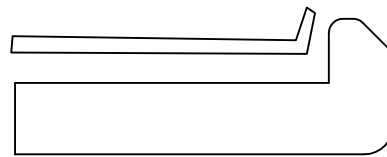
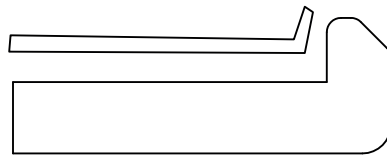
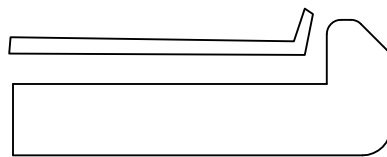
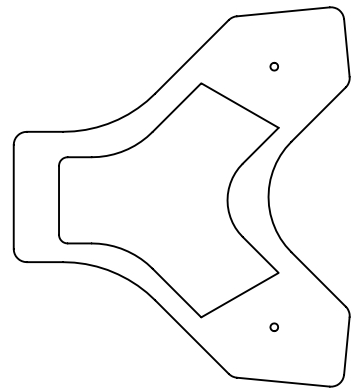
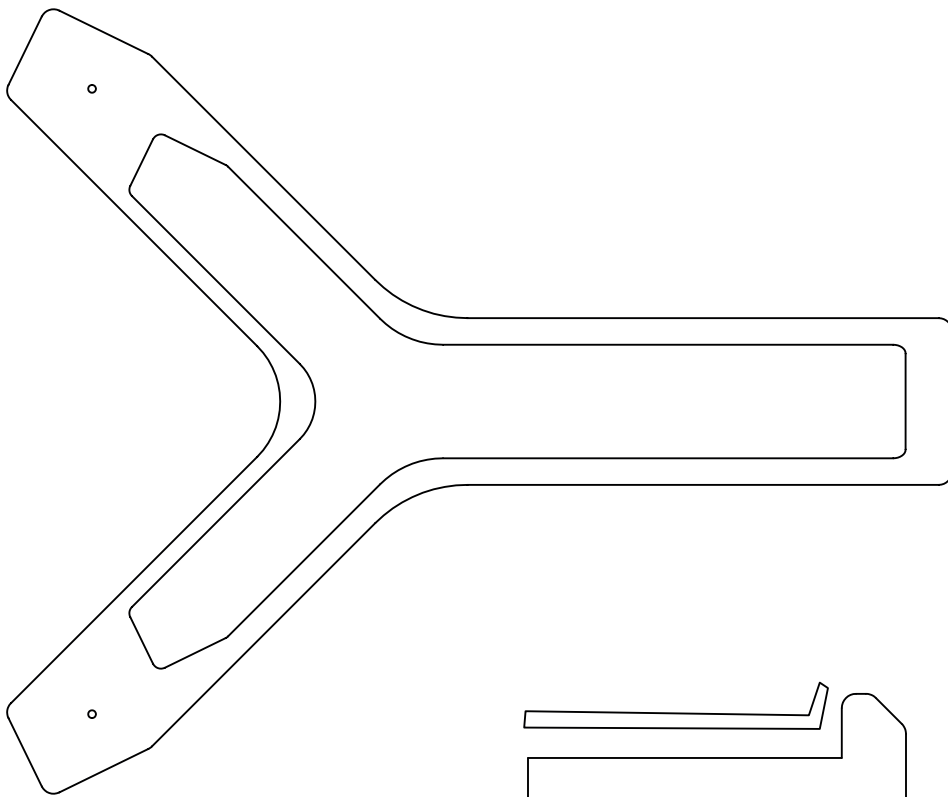
glue one side of the metal rods and let the other one slide freely



# Softner Foam

eva foam

glue the eva on the connection point with the guitar

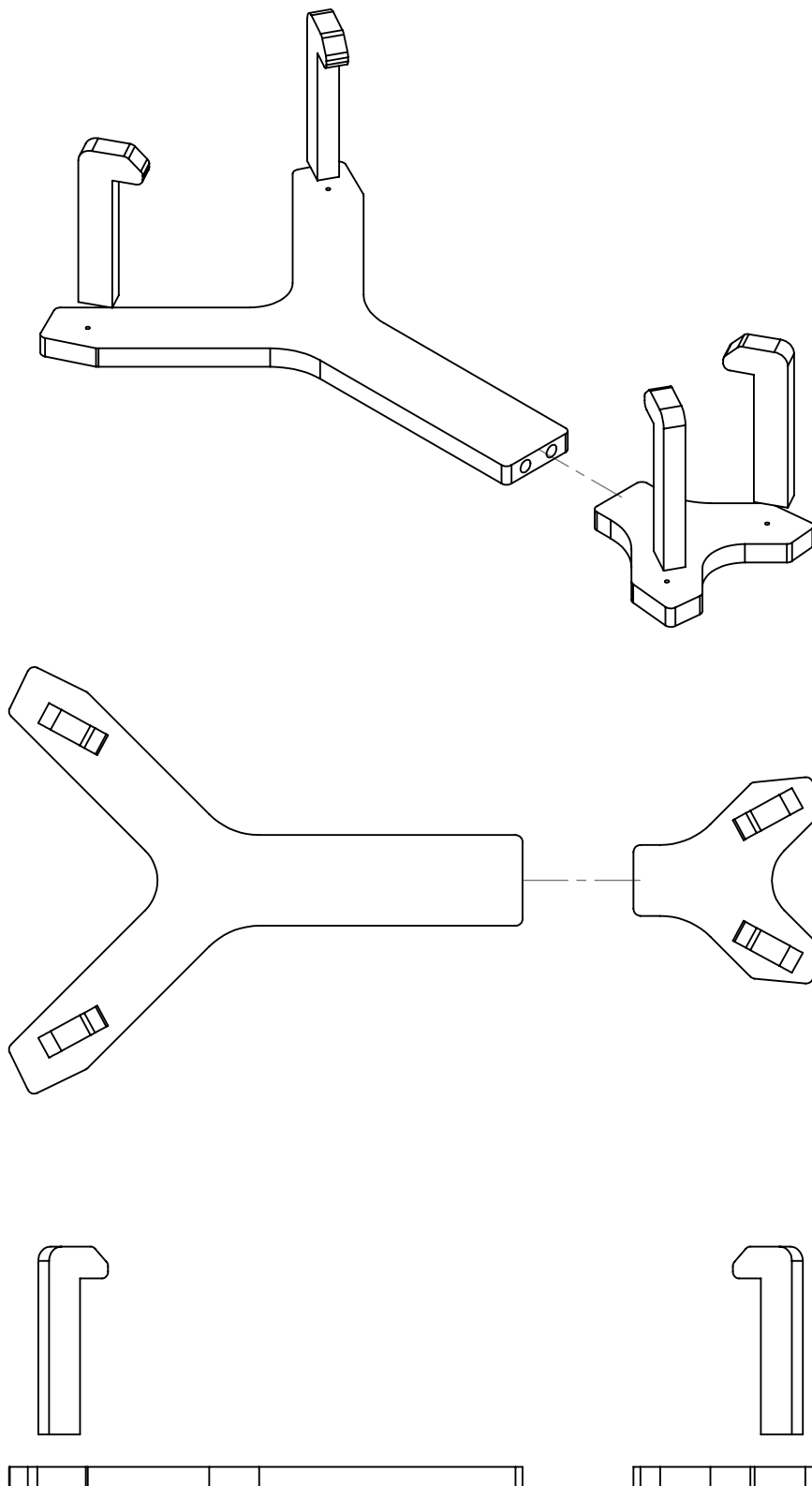


# Main Body - Hooks



wood screws 8

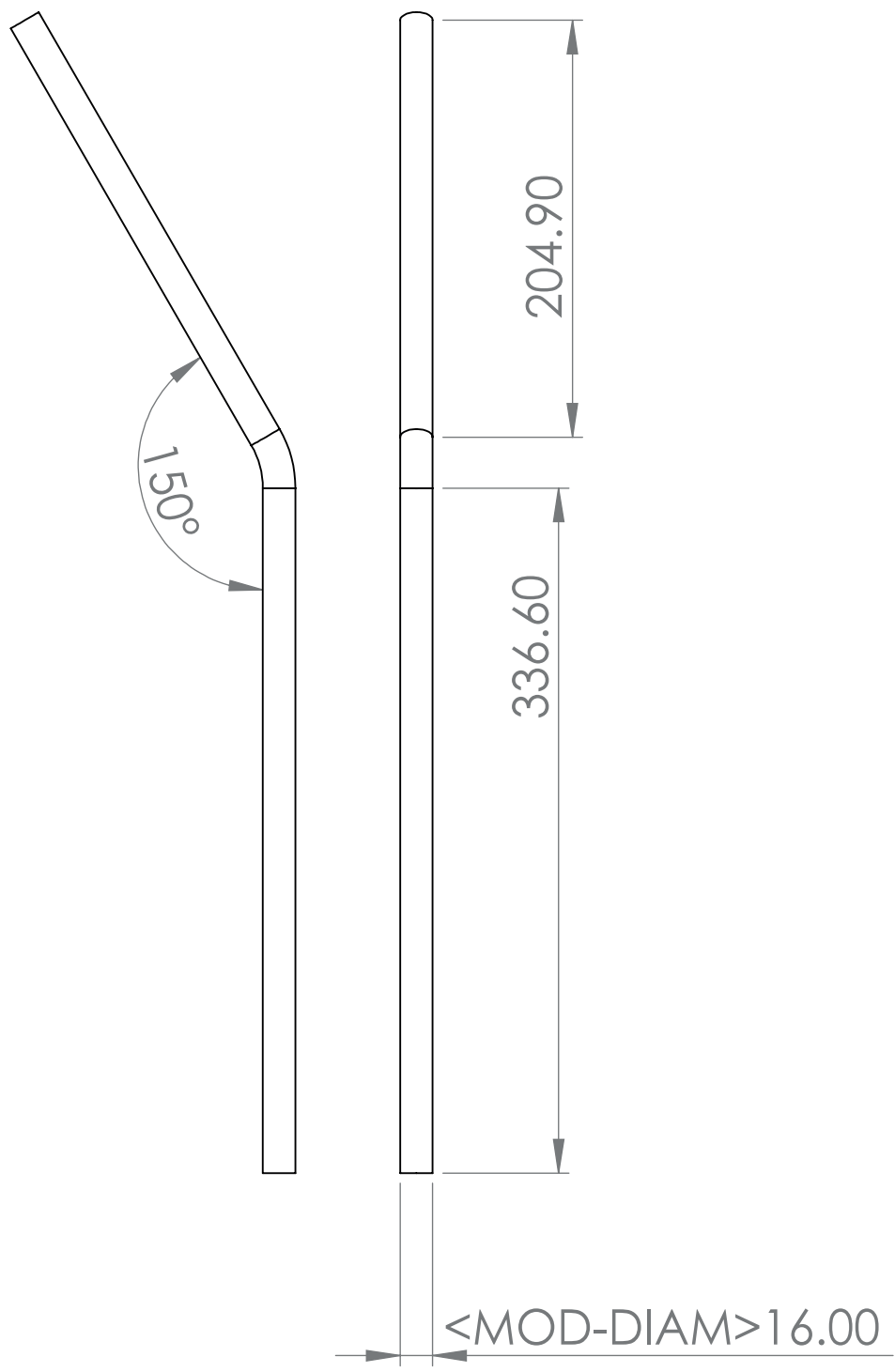
place your guitar on the body, mark the angle and screw the hooks in place



# Main Pipe

metal pipe 16Ø

bend the pipe to 30°

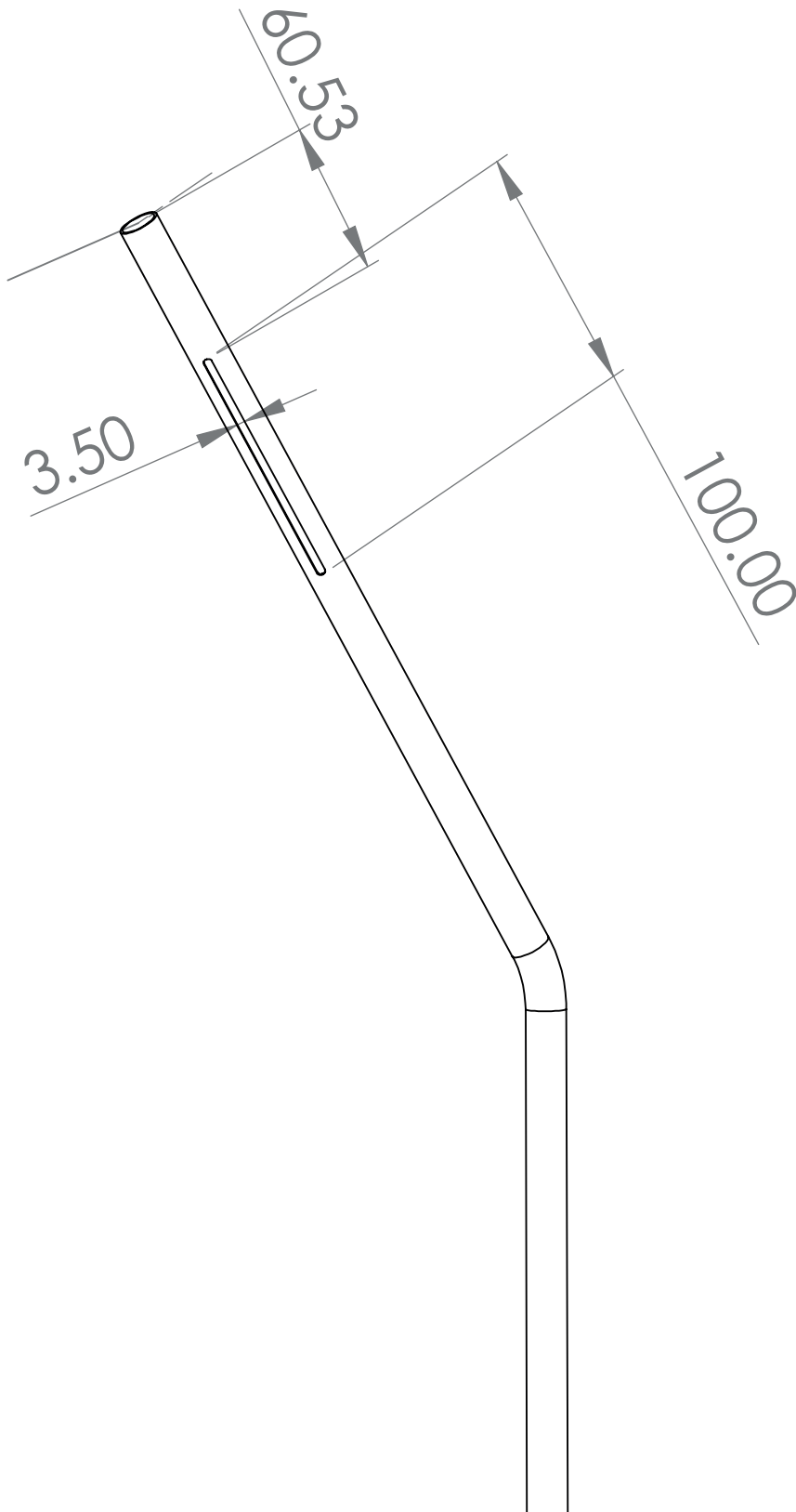




# Main Pipe

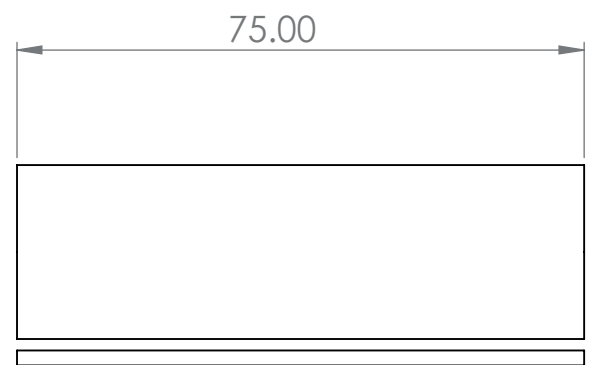
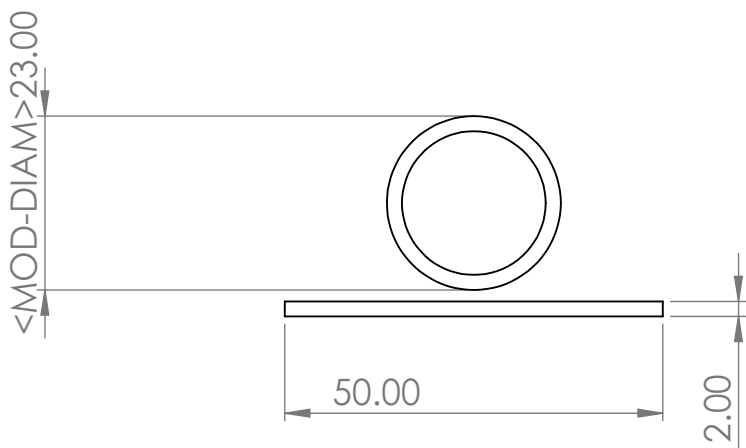
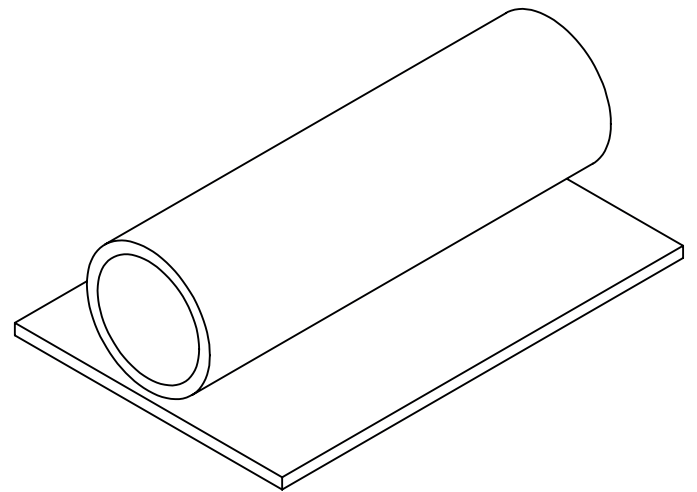
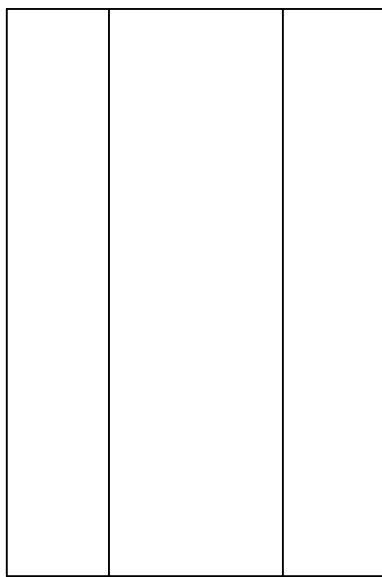
7Ø milling cutter

that step make the height adjust, make it as long as you believe it to be helpful



# Body-Pipe connector

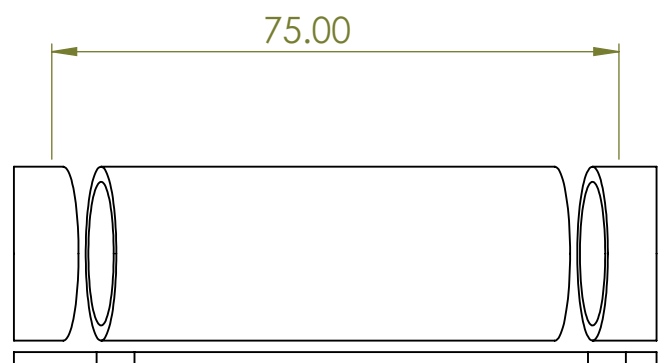
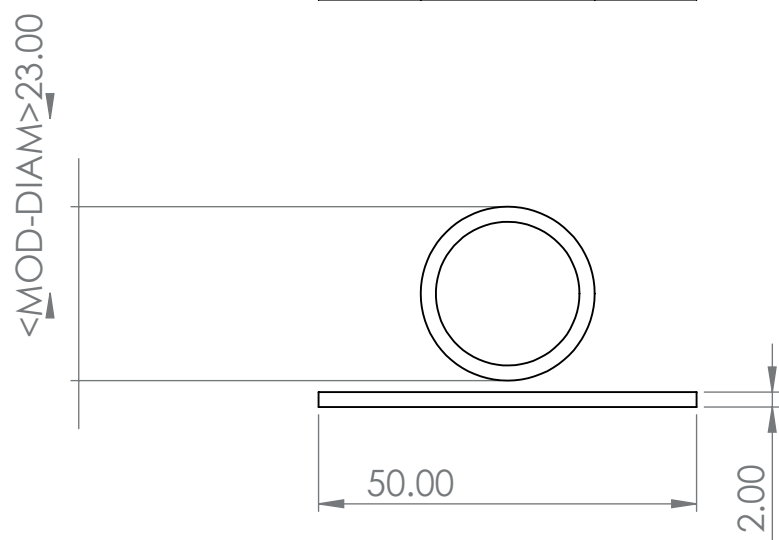
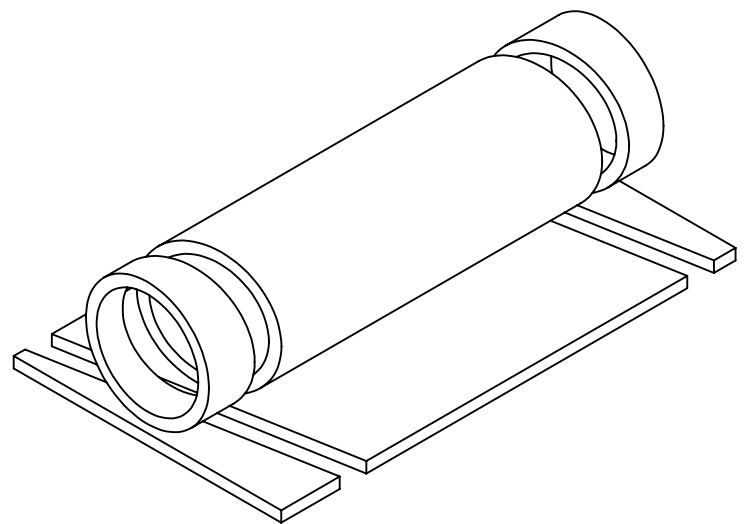
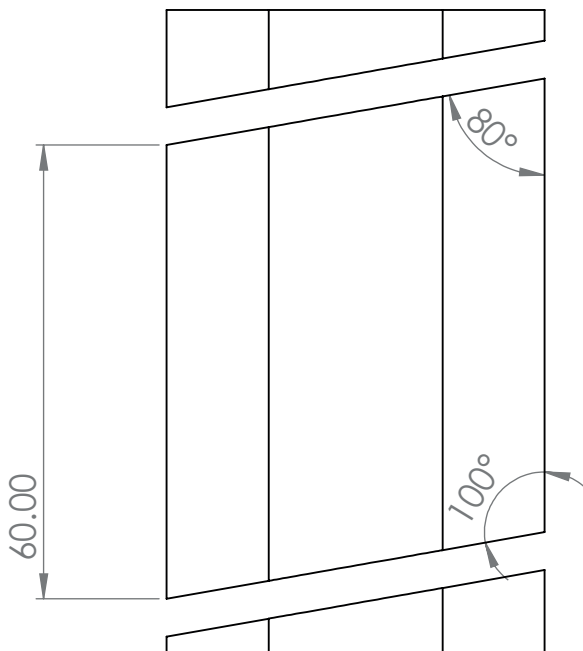
Pipe 23Ø & 2mm metal sheet  
weld the two together



# Body-Pipe connector

an angle grinder

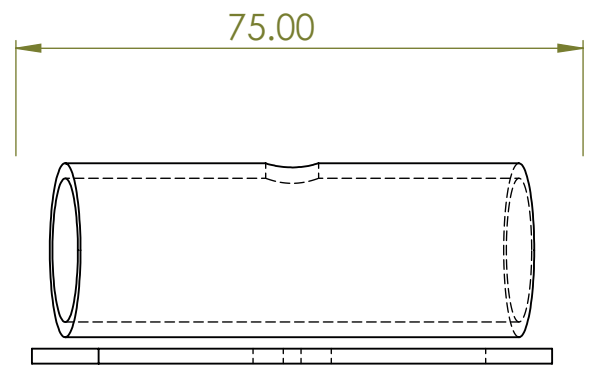
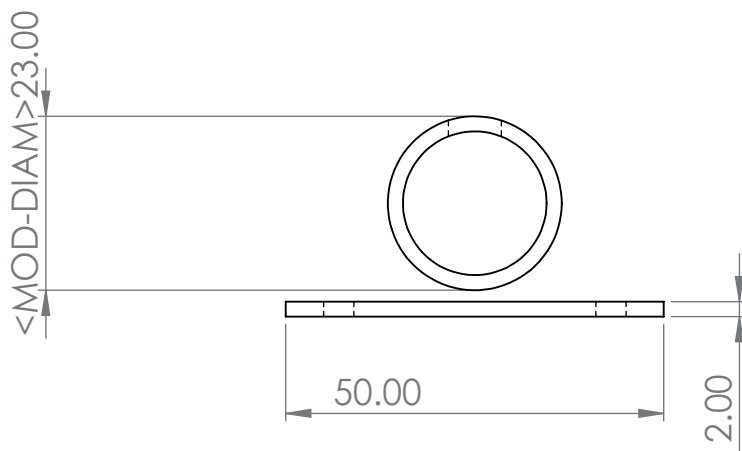
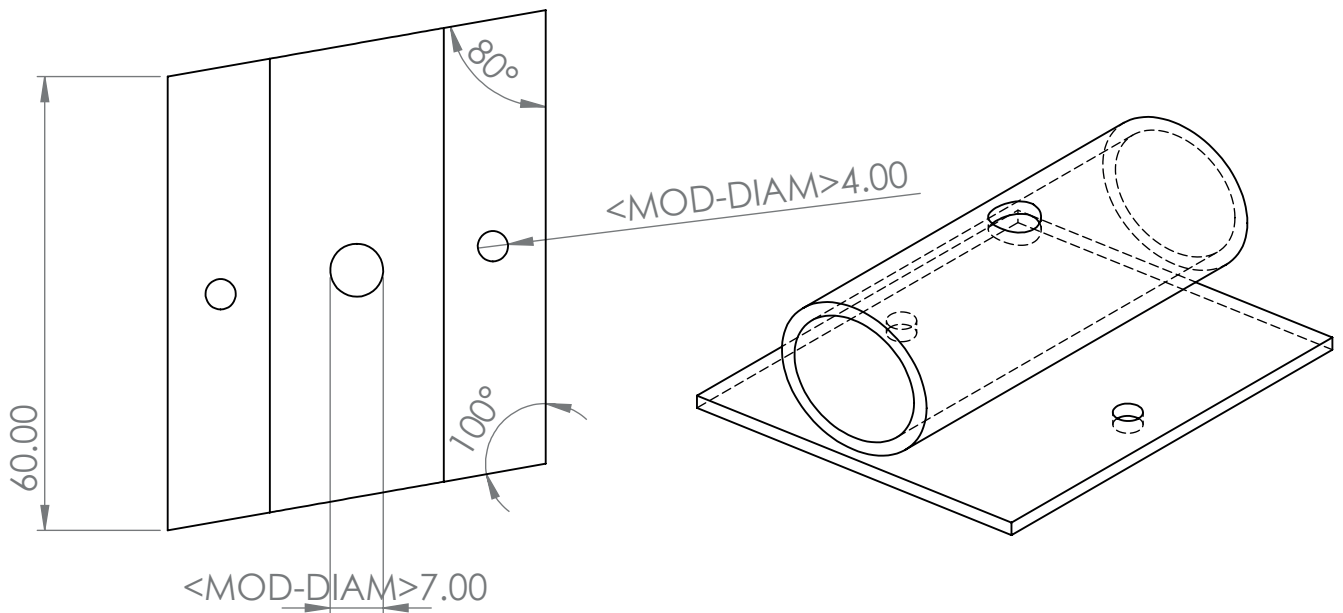
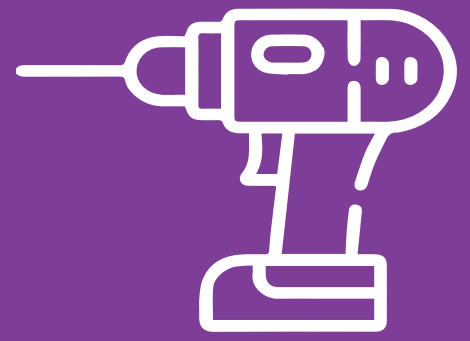
check the angle with your player before cutting



# Body-Pipe connector

a drill

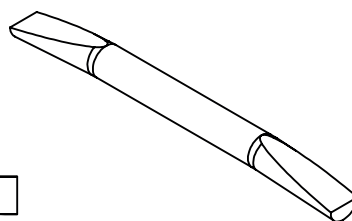
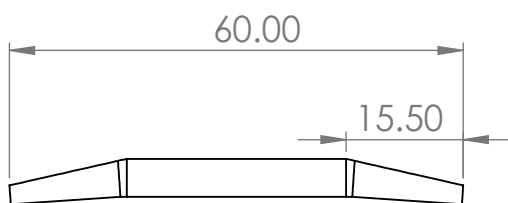
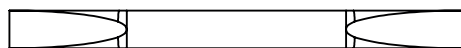
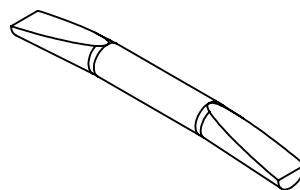
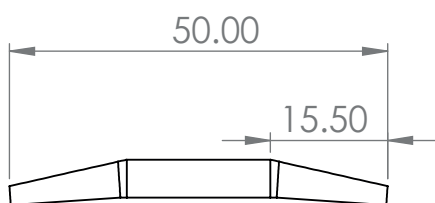
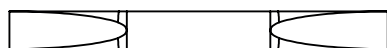
check the  $\emptyset$  of your scREW before drilling



# Strap holders

Rod 6Ø

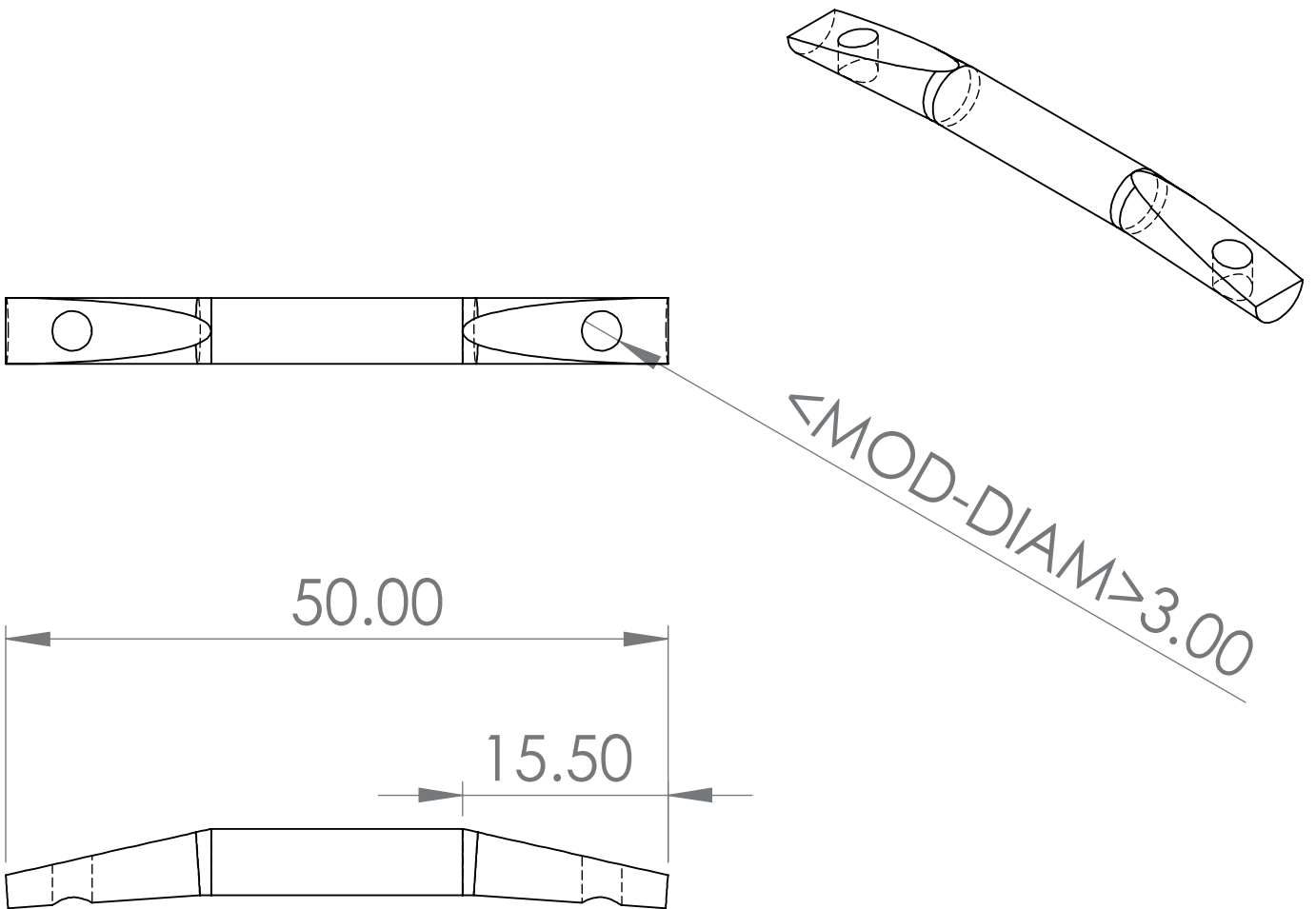
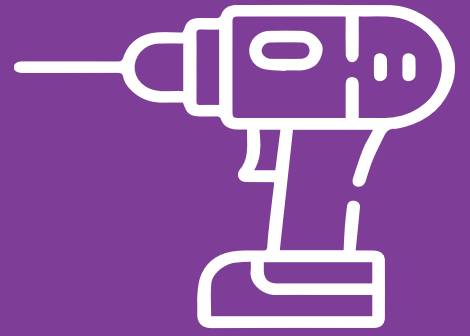
press the rod for fletten surface  
at the edges



# Strap holders

Rod 6Ø

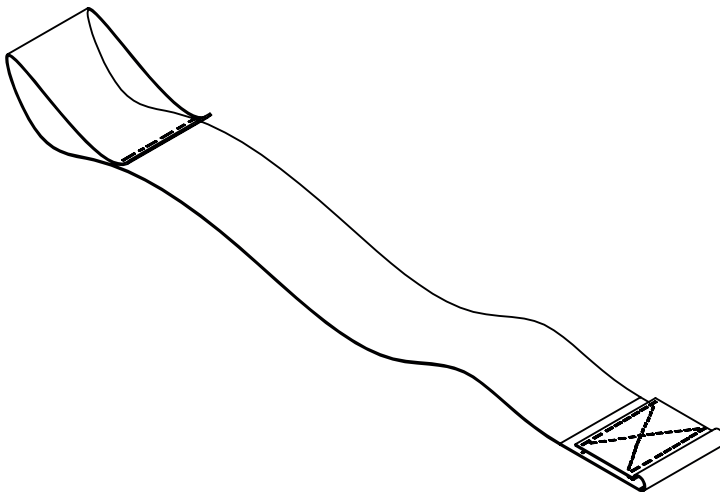
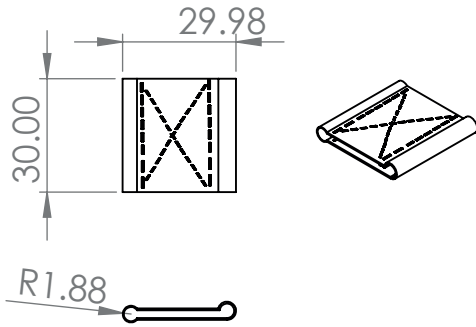
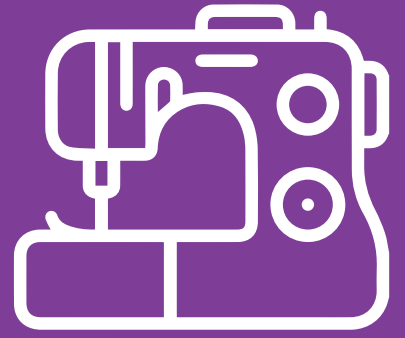
drill screw holes



# Straps

sawing machine

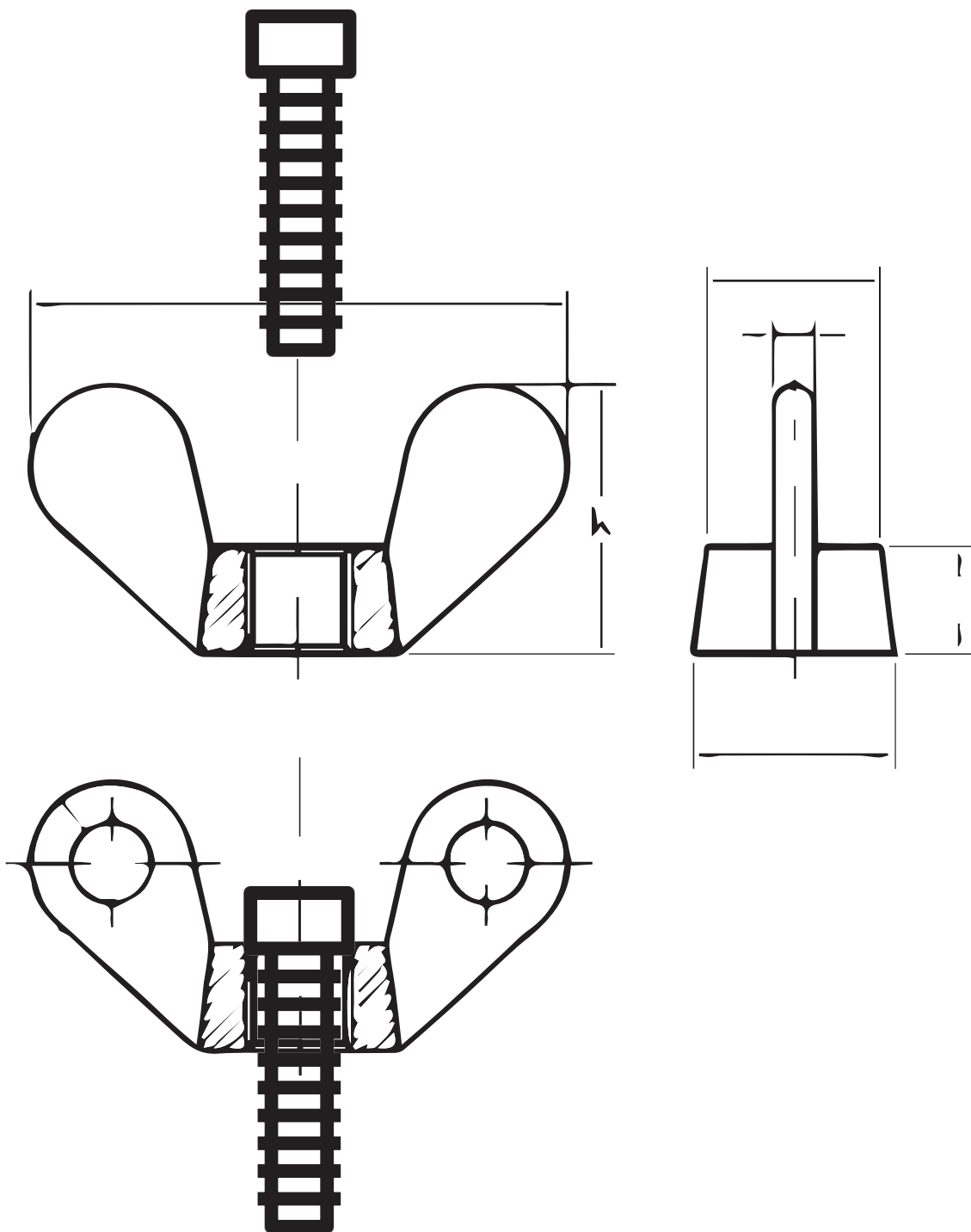
this part is for fastting the guitar  
check first the measurements of your  
guitar



# Butterfly screw

## welding

you dont really need the butterfly screw but its a easier to adjust  
weld the two together

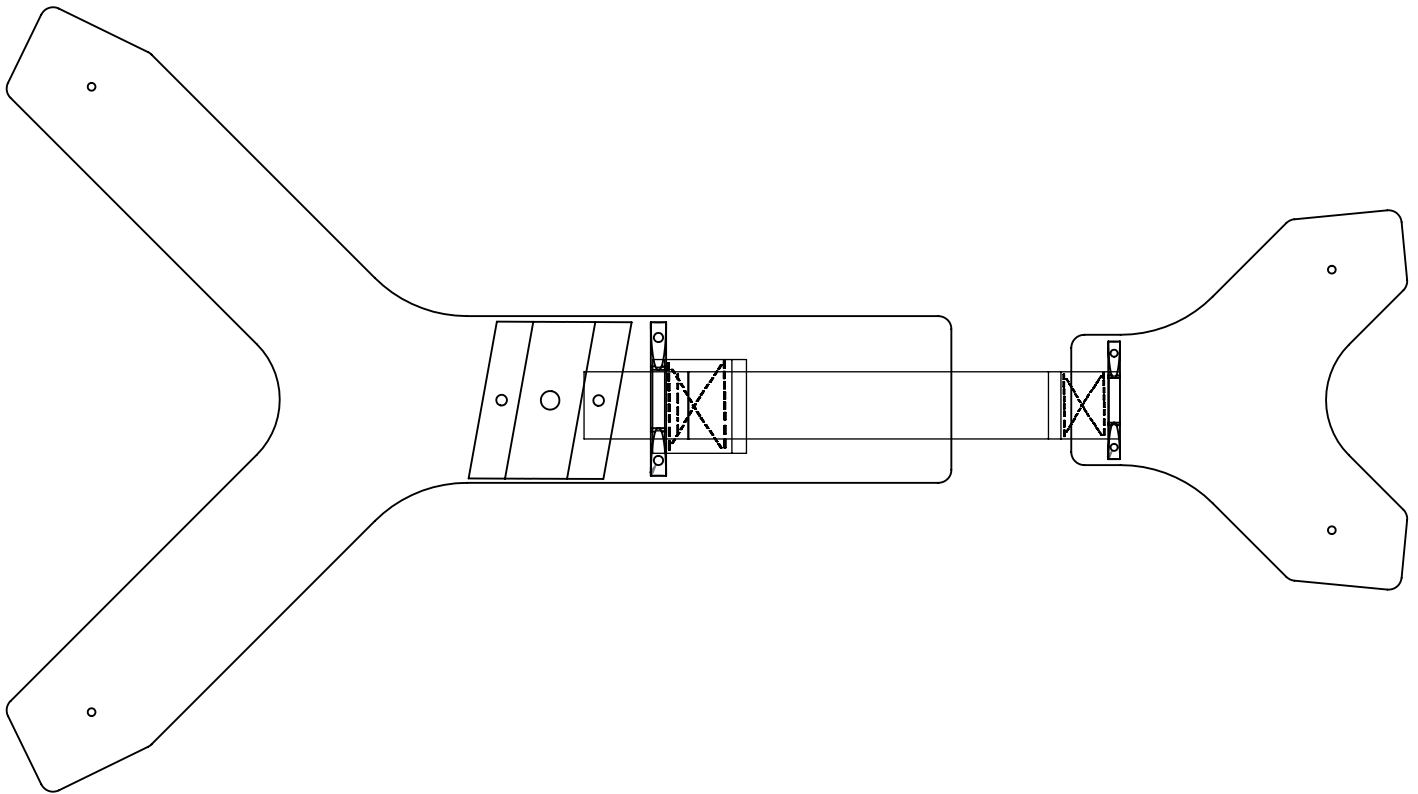




# Assembly

round head screws - 6

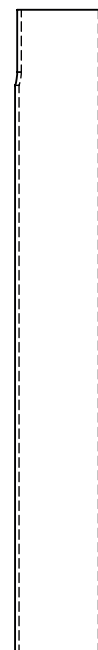
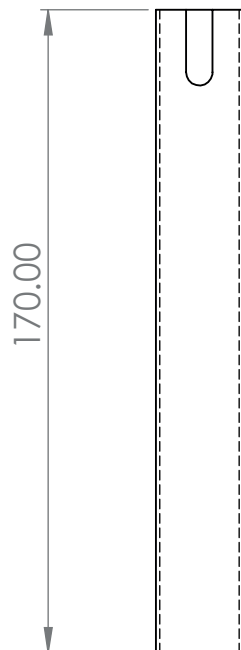
screw the parts together according to your  
player measurements



# Wheelchair connector

23Ø pipe

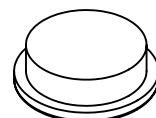
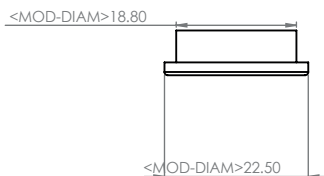
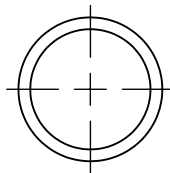
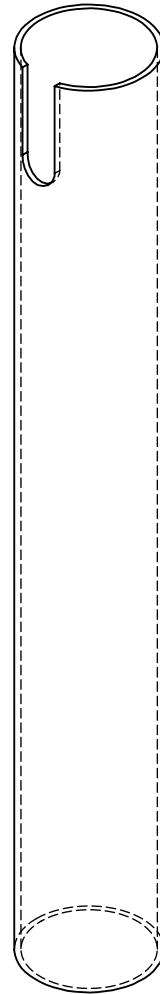
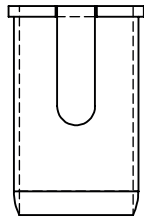
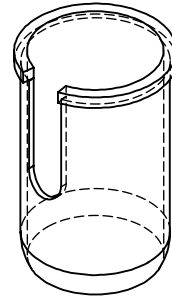
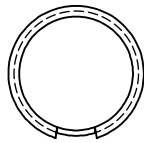
make a small rail to lock the main pipe



# Edges

## stl files

print the files with pla \ abs assemble and glue it together



# PLAY

