

Tehila's art tools

Instructions



Bar Ishay, Eran Kurtztag, Sooraj Hema

Stamping Tool



Materials :

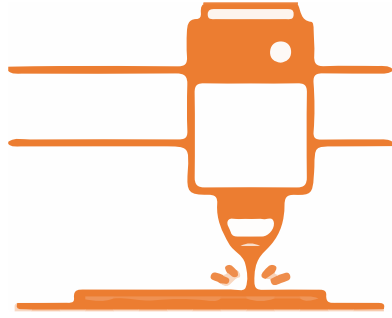
- 1 bouncy stress ball, 7.5 diameter
- Hook and loop fastener, 4 cm wide
12 cm long
- Fabric, 30 x 5 cm
- Felt, 7 x 7 cm
- contact glue

Tools :

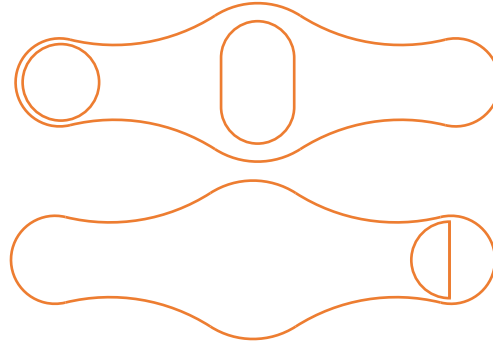
- Laser cutting machine
- Sewing machine
- exacto knife



- 1 laser cut the felt, fabric and fasteners



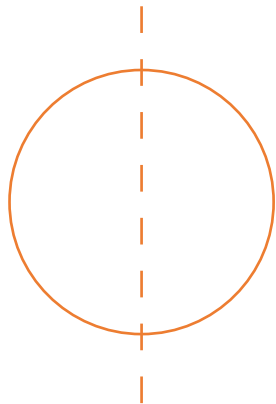
- 2 sew the fasteners to the strap according to the attached pattern



- 3 align both sides of the strap back to back and stitch a top stitch (see pattern)



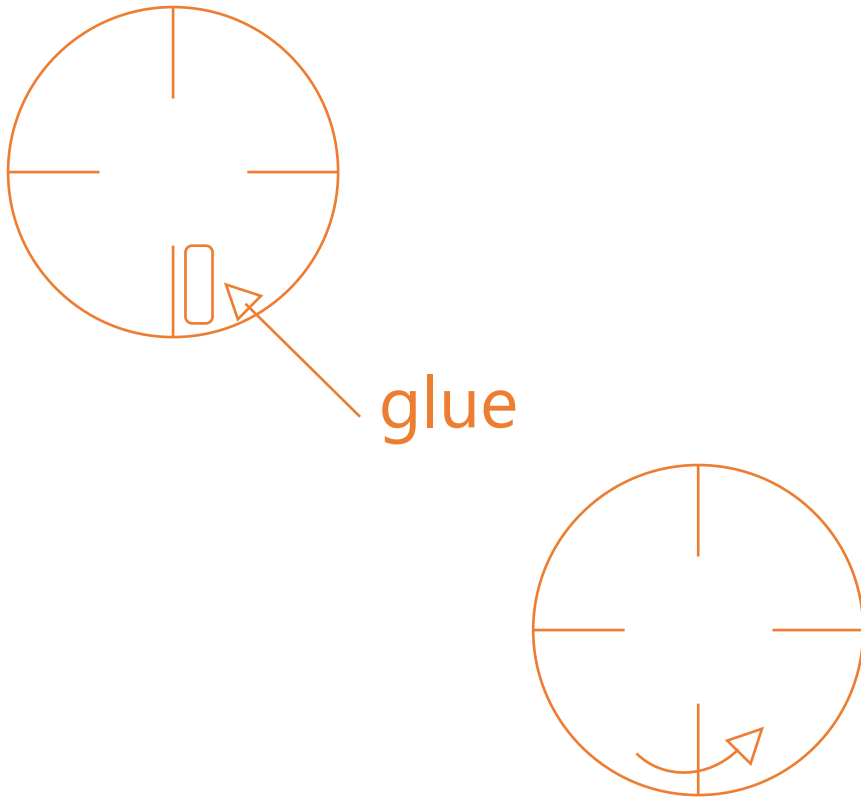
- 4 cut the bouncy ball in half with the knife



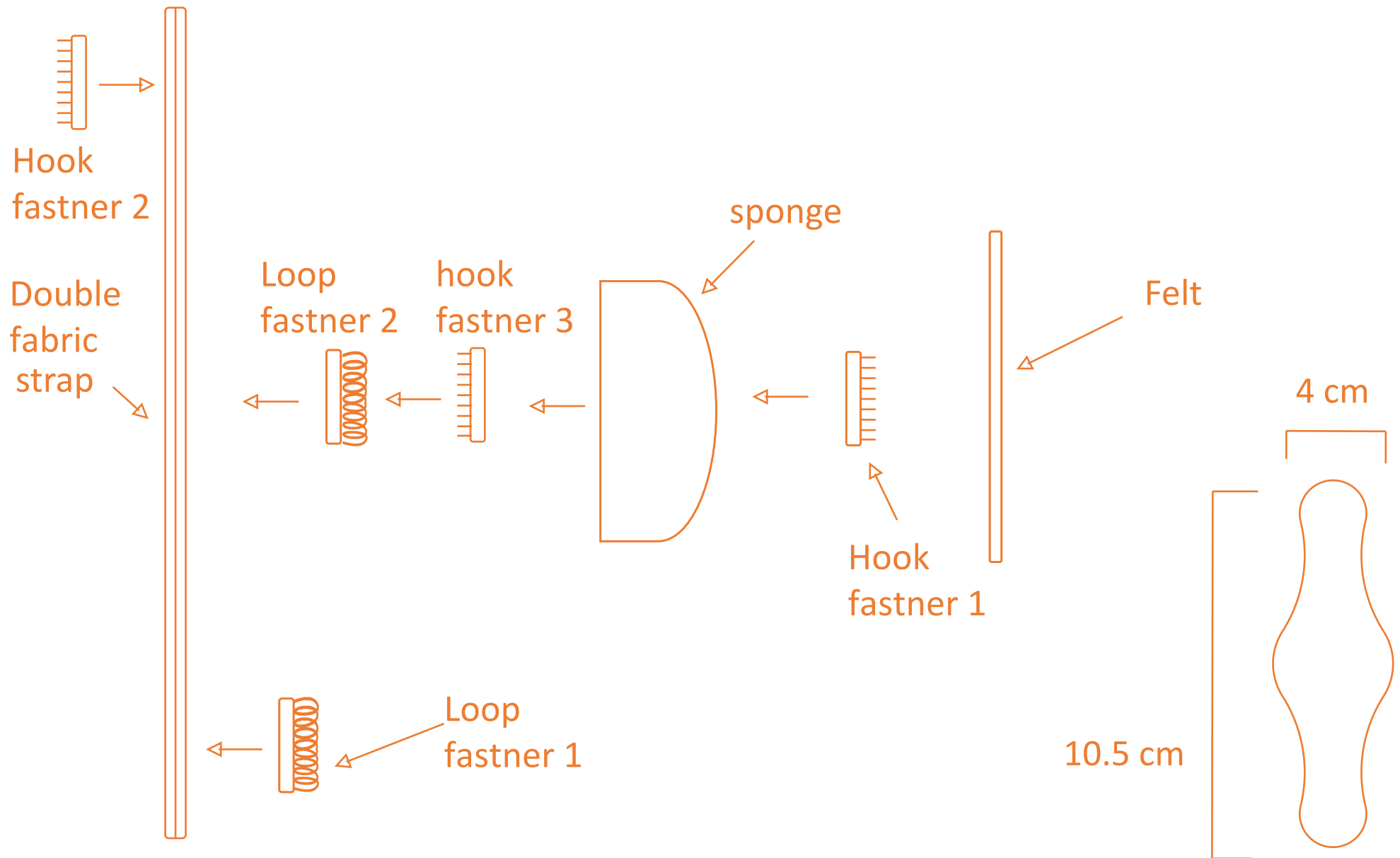
- 5 glue the hook fasteners to the ball and wait until dry



- 6 To make the felt caps, after laser cutting, put glue on one edge of the cutting stripe, and make a cone by taking one edge of the cutting stripes and overlap the other edge with it, repeat on all stripes



Assembly :



Drawing Tool

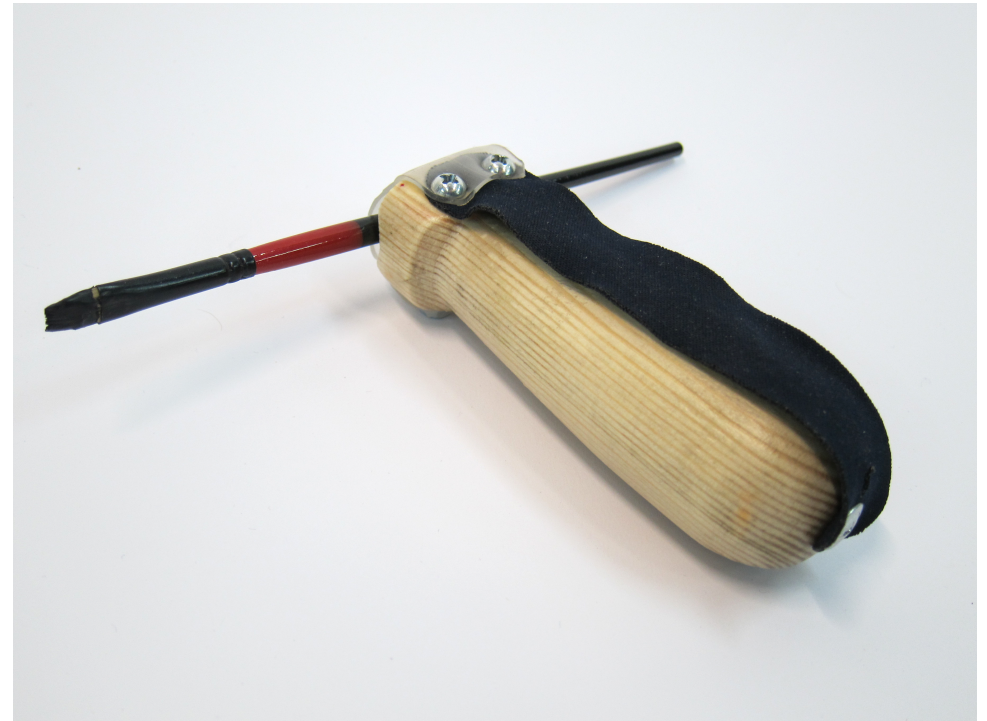


Materials :

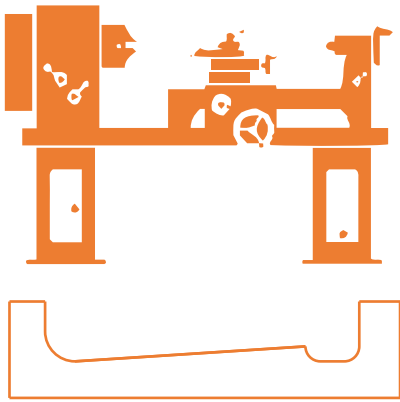
- wood piece for lathing
4x4x10.5 cm
- silicone strap
- fabric 5x15 cm
- 2 bolts and fitting nuts, 4mm diameter
35mm long
- 1 screw 4 mm diameter, 15mm long

Tools :

- Lathe
- Laser machine
- screwdriver
- drill

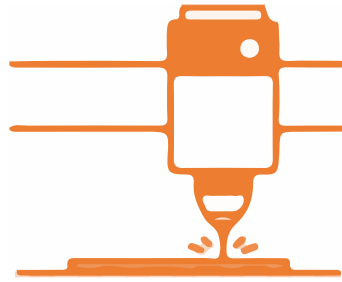


1



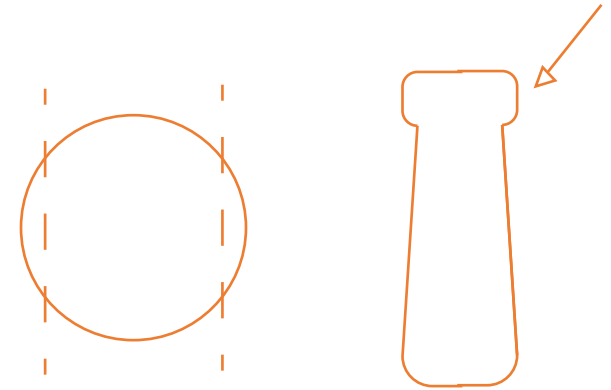
Lath the piece of wood by the attached stencil

2



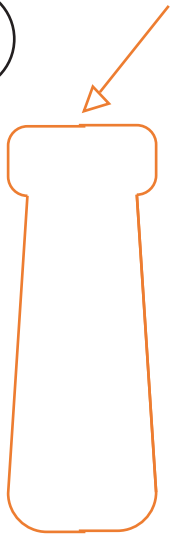
laser cut the fabric and silicone

3



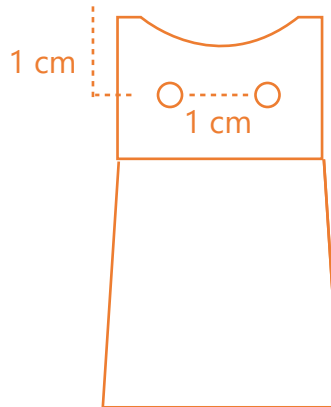
cut or sand off both side of the upper circle, 3mm off each side

4



use a 16mm drill to make a socket for the drawing tools

5



drill 2 holes of 3 mm, on the top part as shown

6

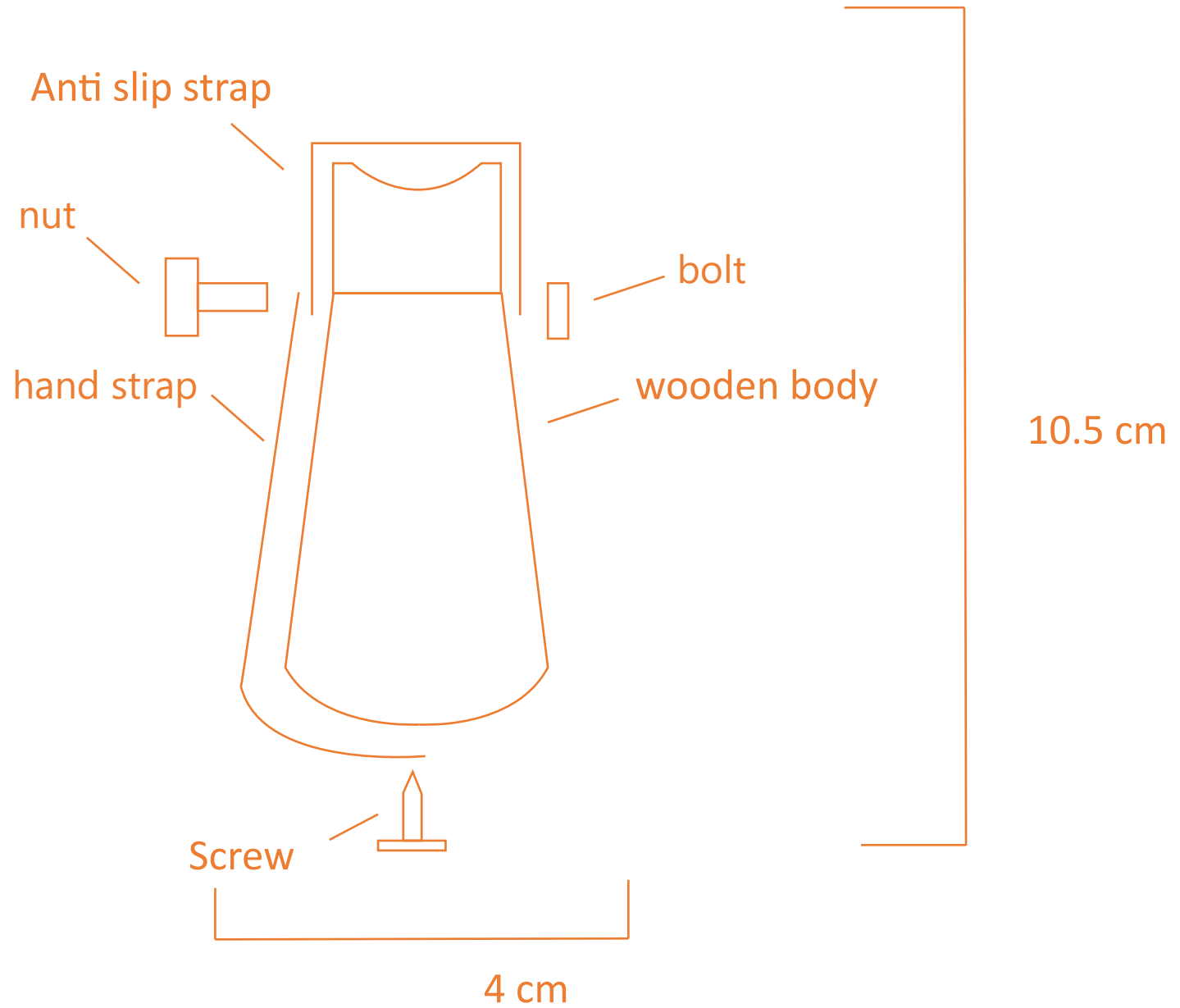


drill a 3mm hole at the bottom of the wood piece

7

assembly

Assembly :



Board

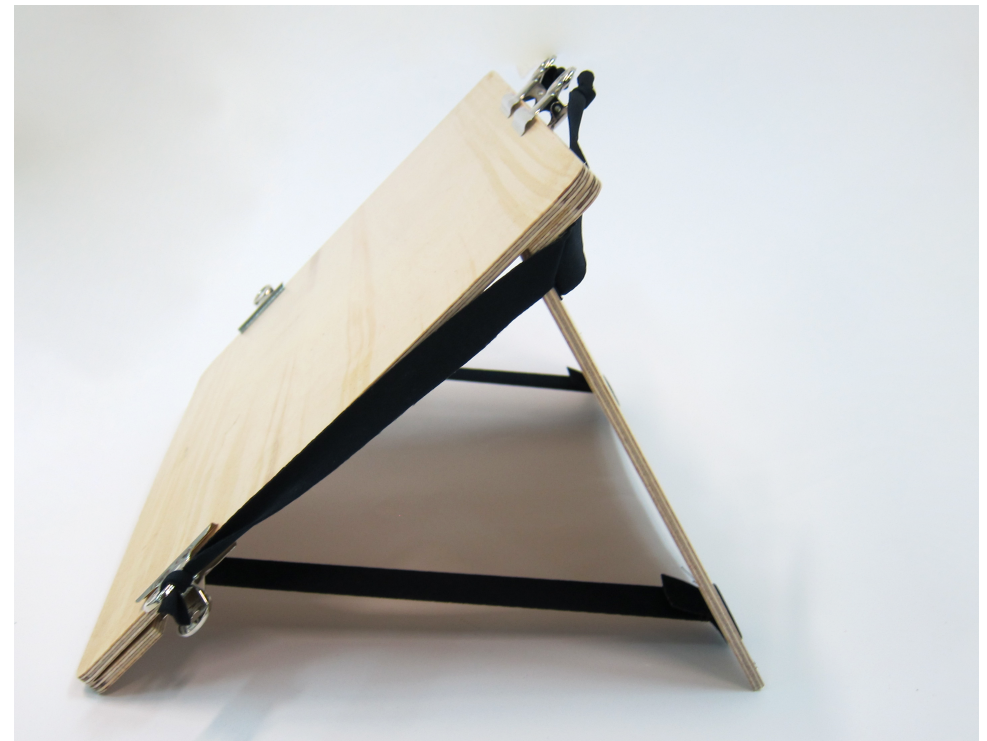


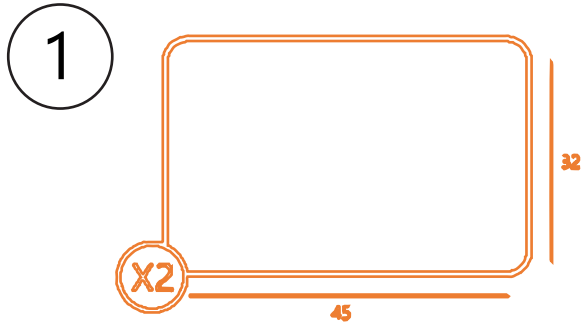
Materials :

- 2 wooden plates, 42x30 cm (we used 6mm plywood)
- fabric 55x30 cm (we used scuba 0.8 mm)
- anti slip material
- 2 spring paper clips
- contact glue
- wood glue
- sewing thread

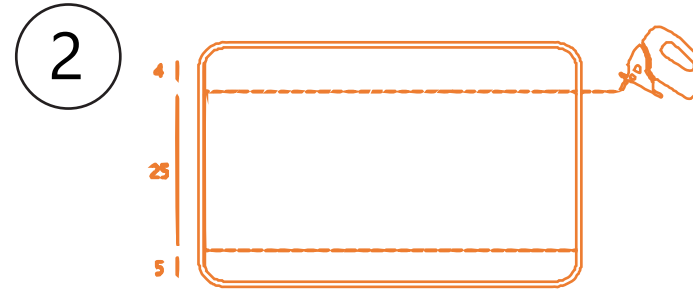
Tools :

- laser cutting machine
- saw
- sanding tool
- needle

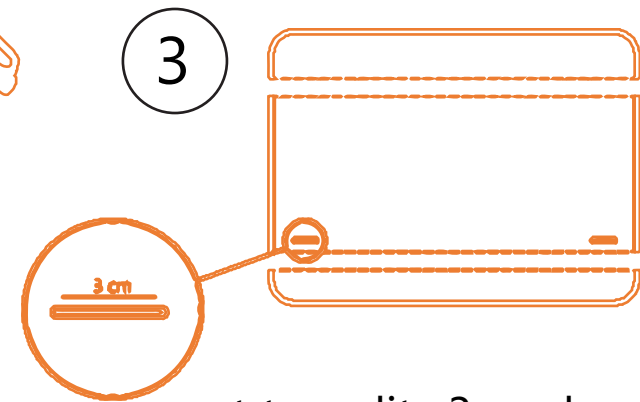




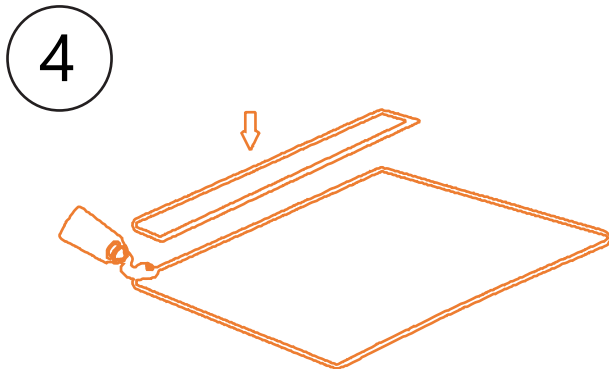
cut 2 boards of plywood
45cmX32cm



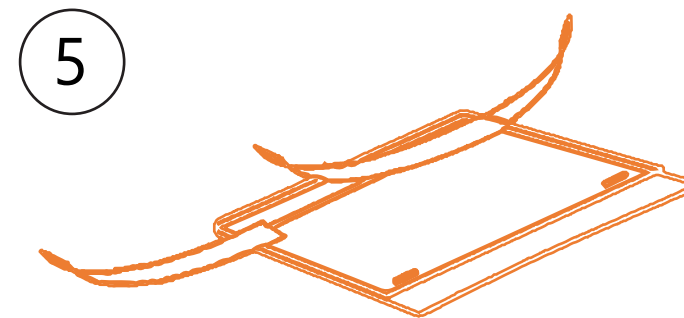
cut one of the boards to
three pieces. 4 cm, 25 cm
and 5 cm.



cut two slits 3 cm length
3mm wide for the straps



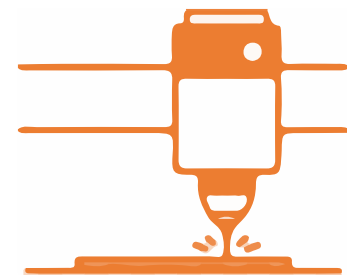
glue the top piece with
wood glue



align the middle piece to the
top piece and glue two straps of
fabric that is in the patterns page
for the paper clips, then glue the axis
strap on top of the two straps.



laser cut the fabric

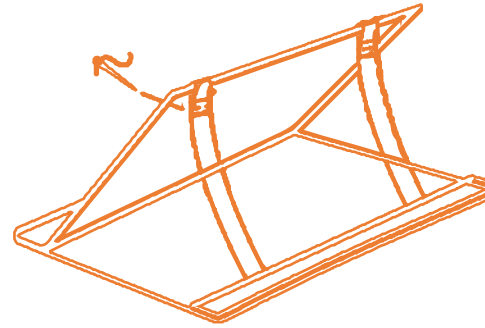


7



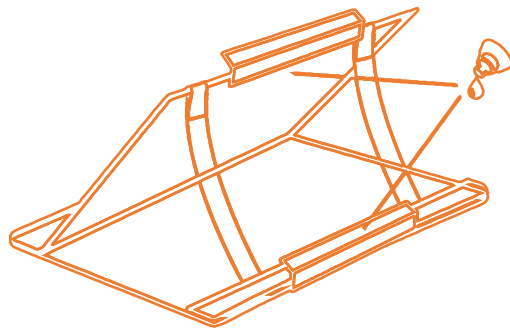
Tie the clips to the end of the straps.

8



take the bottom straps from the laser cut and insert one end of the straps to the slit and stitch to the rest of the strap.
glue the other end to the board and glue the bottom piece of wood on top on it

9



Attach the anti-slip material to the bottom of the board and the bottom of the support.

Assembly :

