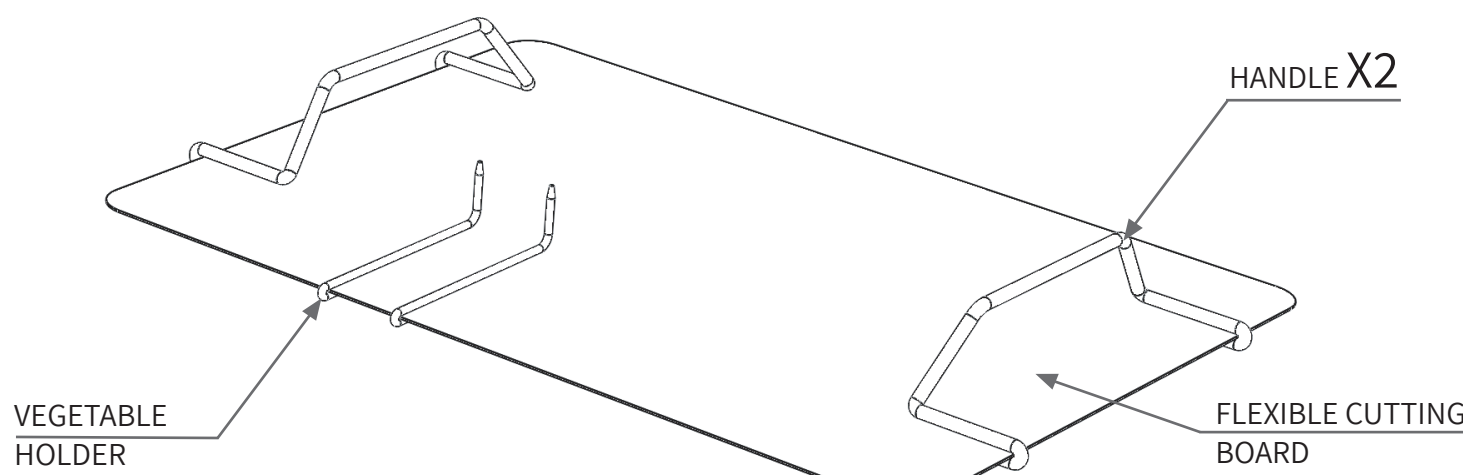
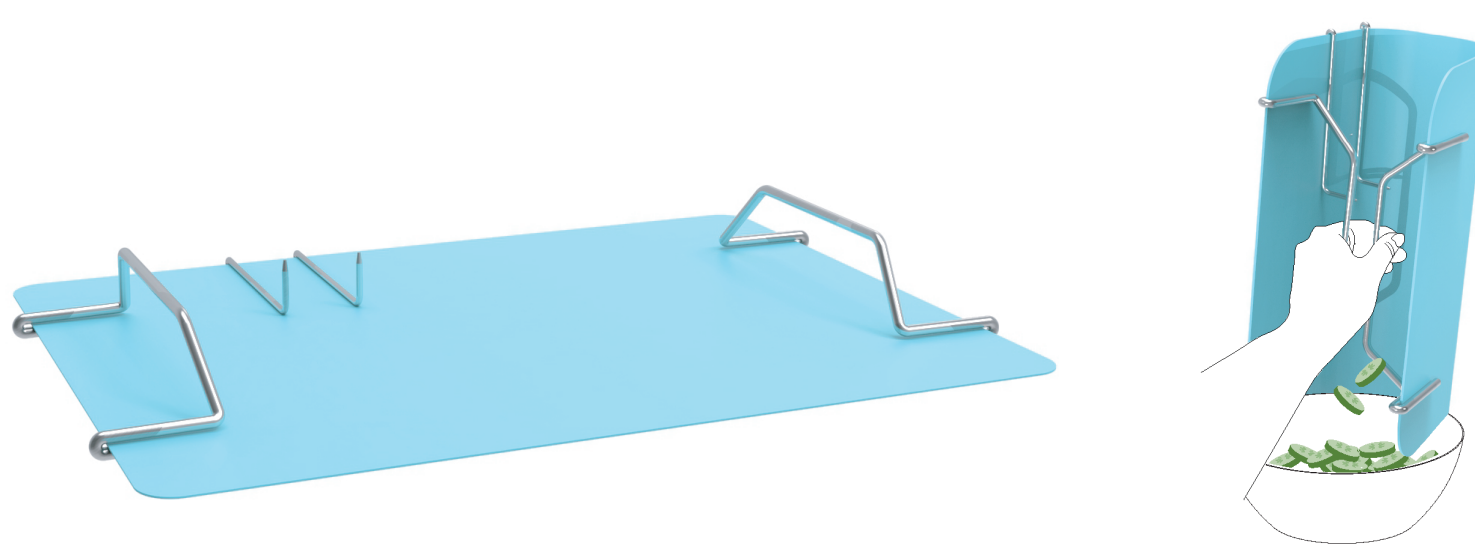
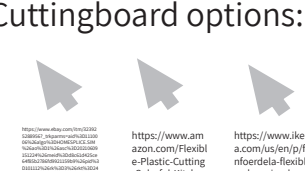


Cutting Board for use with one hand - INSTRUCTIONS



Cuttingboard options:



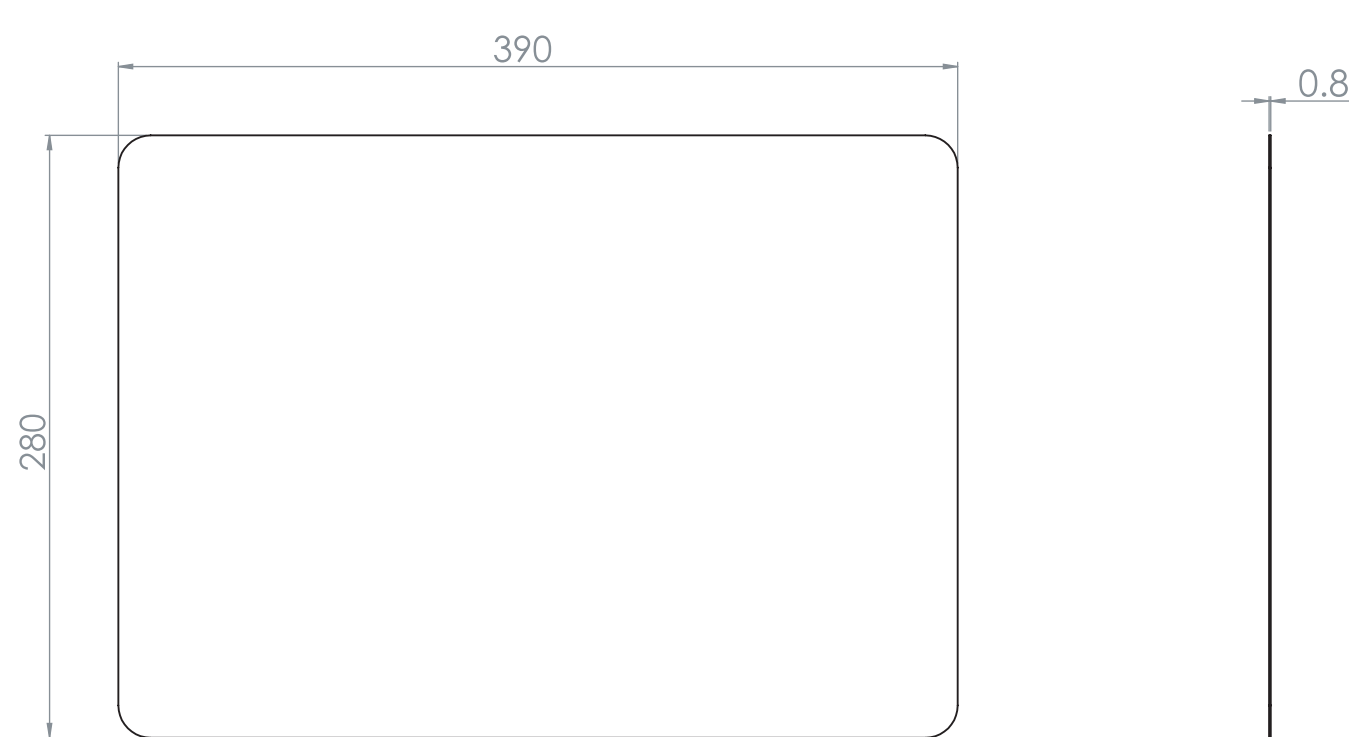
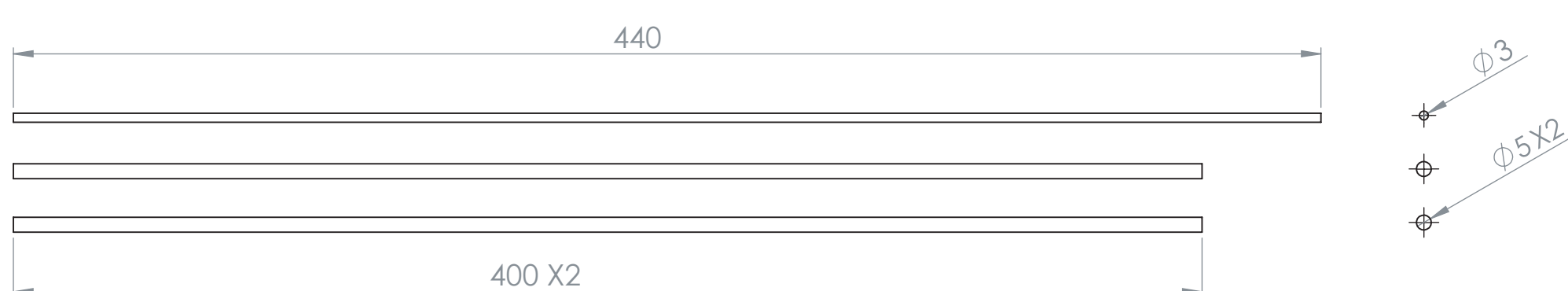
B.O.M

Stainless steel rod \varnothing 3mm length 440mm (VEGETABLE HOLDER)

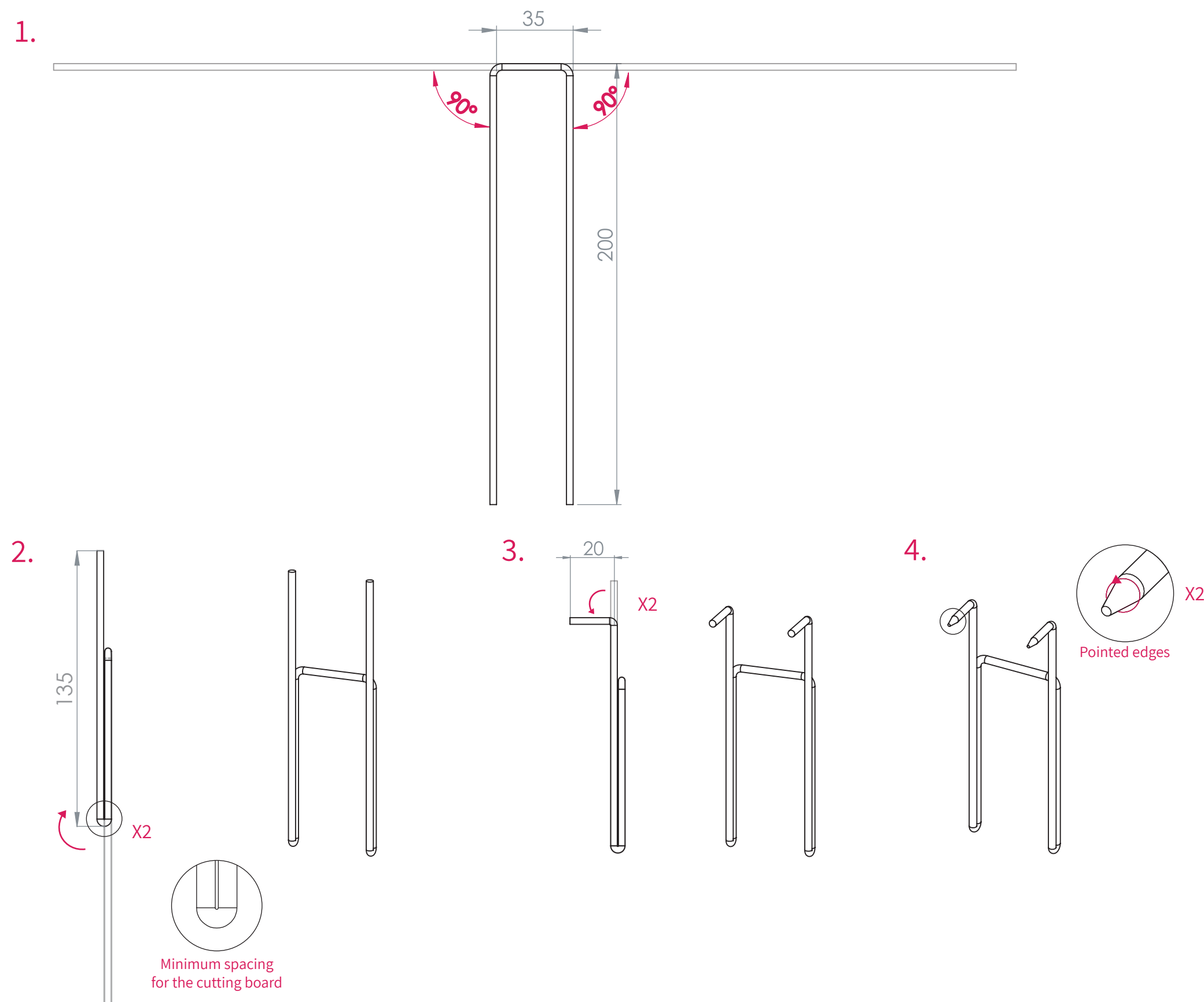
Stainless steel rod \varnothing 5mm length 400mm X2 (HANDLE)

Any Flexible cutting board

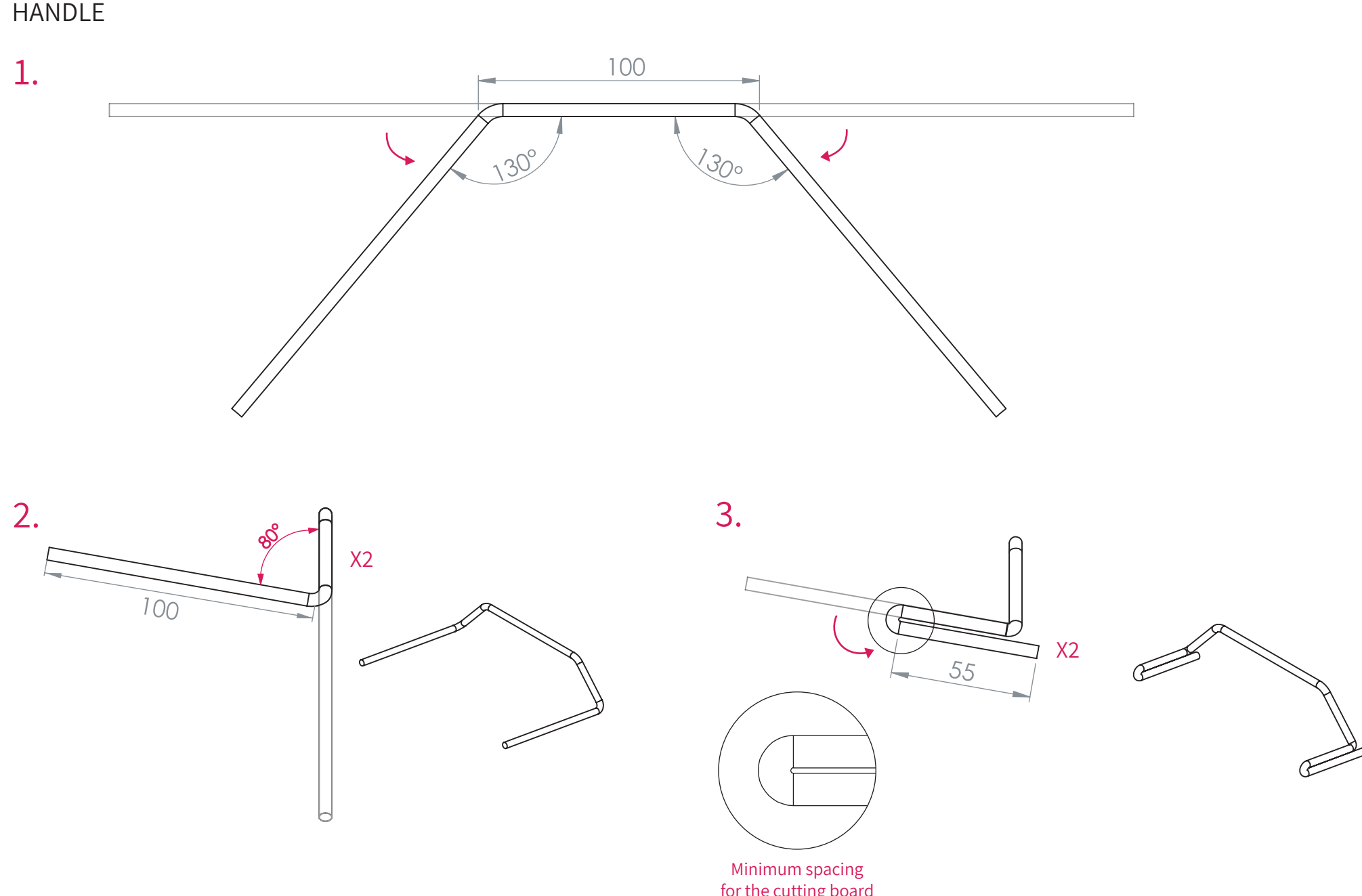
The units of measure are mm



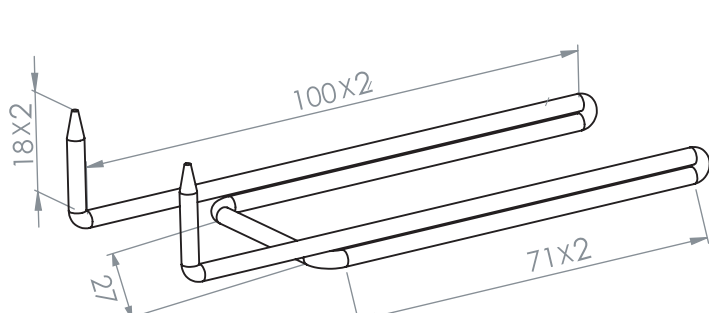
STEP.1 Bending rod 3 mm VEGETABLE HOLDER



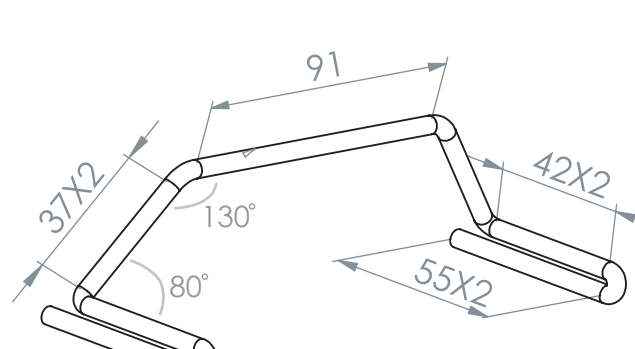
STEP.2 Bending rod 5 mm X2 HANDLE



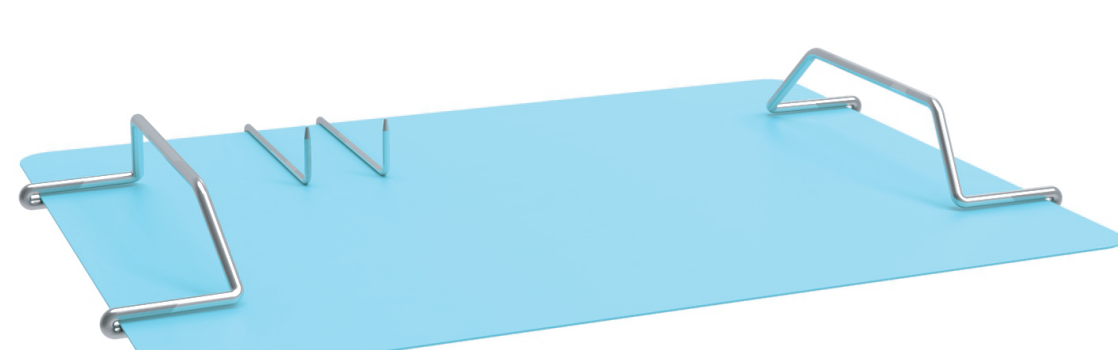
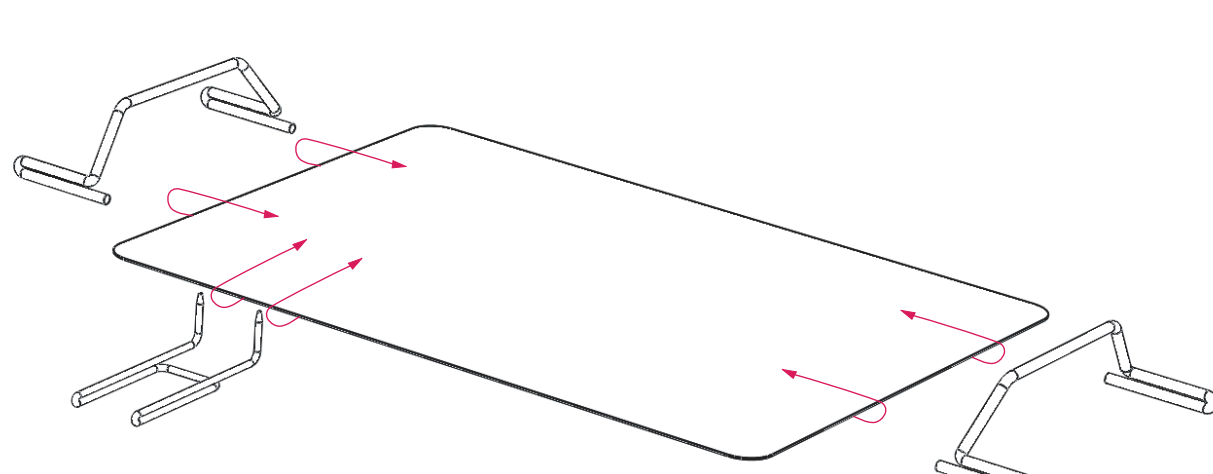
STEP.1



STEP.2



STEP.3 assembly



GOOD LUCK.♥
Raz Israel | Nitzan Tabib