

5

4

3

SIZE  
B

SC2083

REV  
-

2

1

www.EasternVoltageResearch.com

REVISIONS

LTR	DESCRIPTION	ZONE	ENG	DWG	DATE	APPROVED
-	INITIAL RELEASE		DHM		09/30/10	

E

E

D

D

C

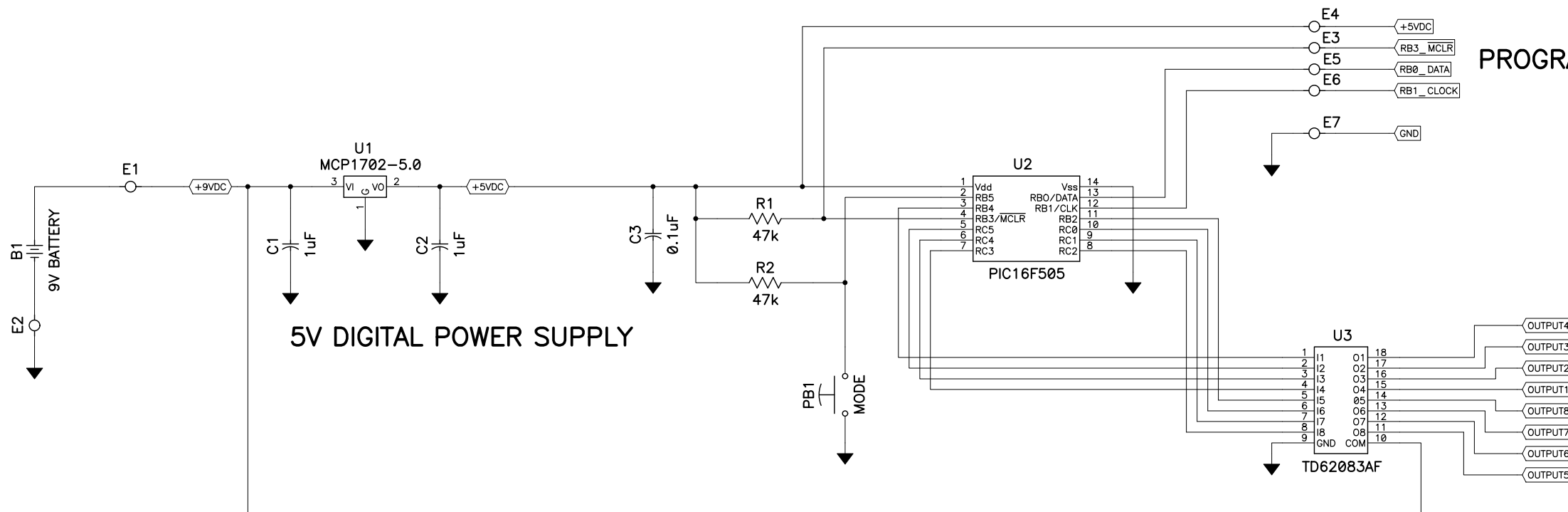
C

B

B

A

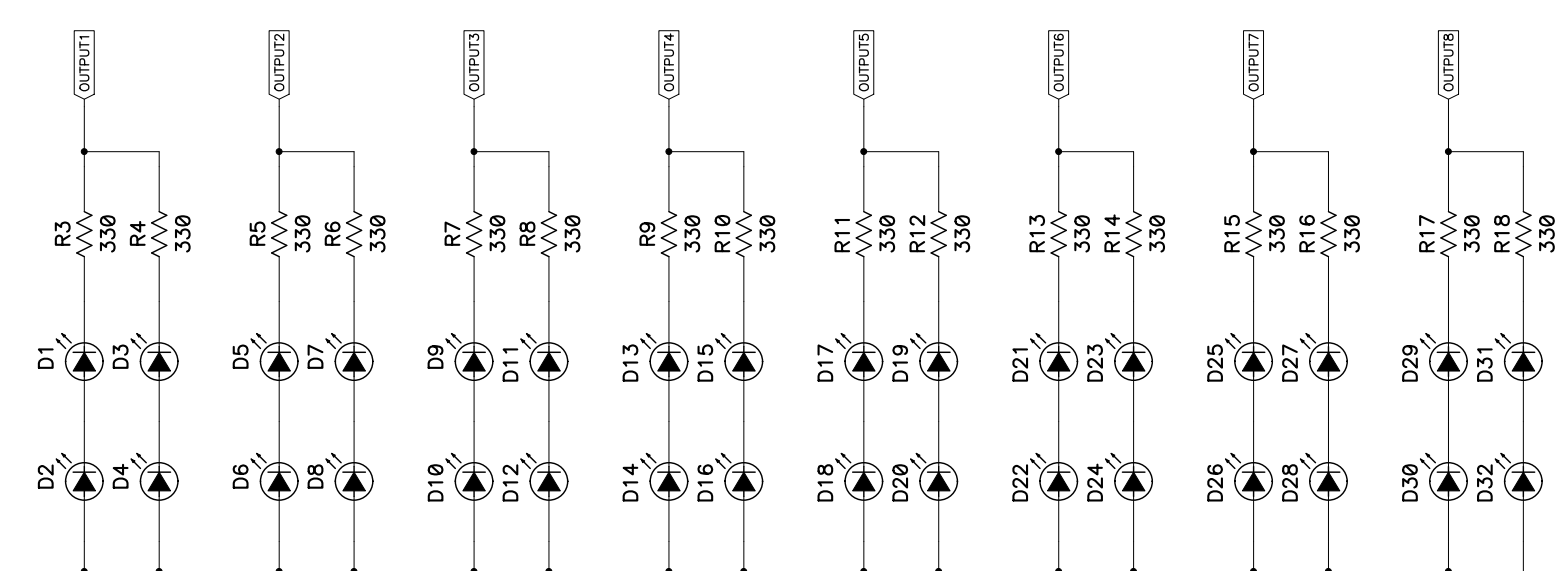
A



PROGRAMMING TERMINALS

ELECTRONIC KITS LIMIT OF LIABILITY

OUR RANGE OF ELECTRONICS KITS ARE INTENDED FOR EDUCATIONAL AND DEMONSTRATION PURPOSES ONLY. THEY ARE NOT INTENDED FOR USE IN COMMERCIAL APPLICATIONS. IF THEY ARE USED IN SUCH APPLICATIONS, THE PURCHASER ASSUMES ALL RESPONSIBILITY FOR ENSURING COMPLIANCE WITH LOCAL LAWS. WHEN A PRODUCT IS SUPPLIED IN KIT FORM AND ASSEMBLY OR CONSTRUCTION HAS COMMENCED OR THE INNER COMPONENT PACKAGES HAVE BEEN OPENED, WE ARE UNABLE TO OFFER ANY FORM OF REFUND, REPLACEMENT, EXCHANGE, OR FREE REPAIR. THIS IS BECAUSE WE CANNOT GUARANTEE THE LABOR YOU PROVIDE AND COMPONENTS CAN BE DAMAGED DURING ASSEMBLY. COMPONENT PACKAGES SHOULD BE CHECKED AGAINST THE COMPONENTS LIST AND ANY SHORTAGES OR DAMAGED COMPONENTS MUST BE ADVISED TO US WITHIN 7 DAYS OF DELIVERY DATE TO ENSURE FREE COMPONENT PLACEMENT.



TITLE						SEQUENTIAL LED DRIVER EASTERN VOLTAGE RESEARCH, LLC www.EasternVoltageResearch.com					
SIZE	CAGE CODE	IDENT NO.	DWG NO.	REV							
B			SC2083	-							
SCALE	NTS	ACT WT	CALC WT	SHEET	1	OF	1				
ACCEL CAD file: SC2083											

5

4

3

2

1

ACCEL CAD file: SC2083