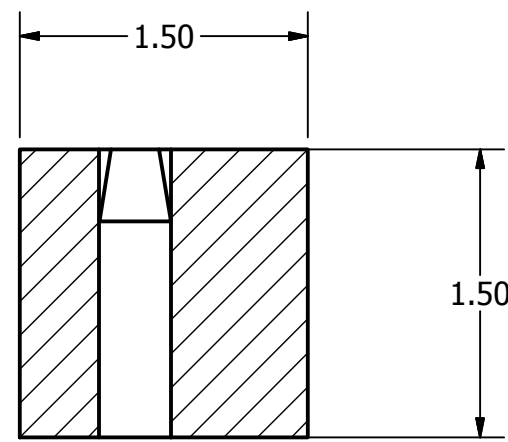
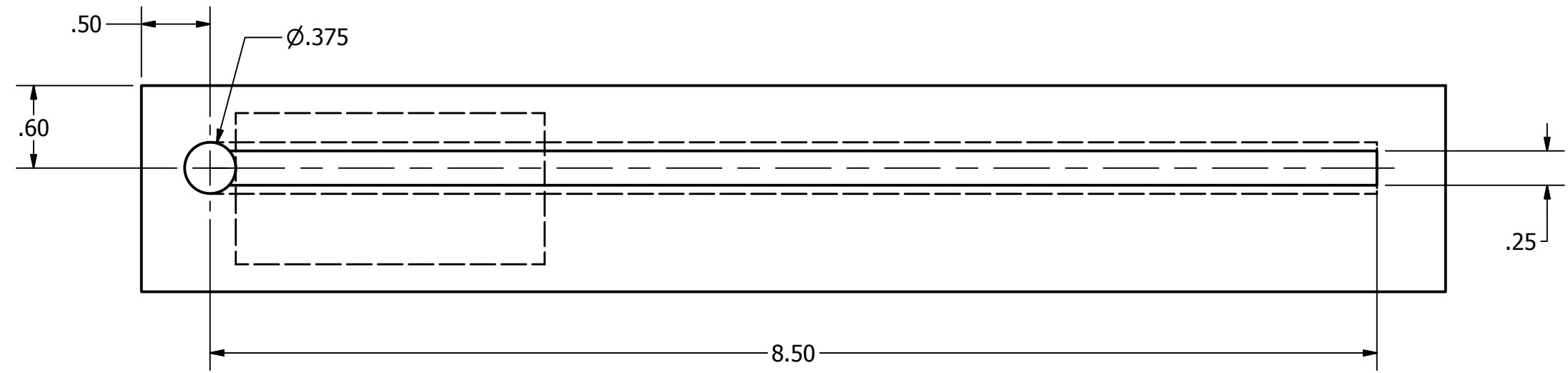
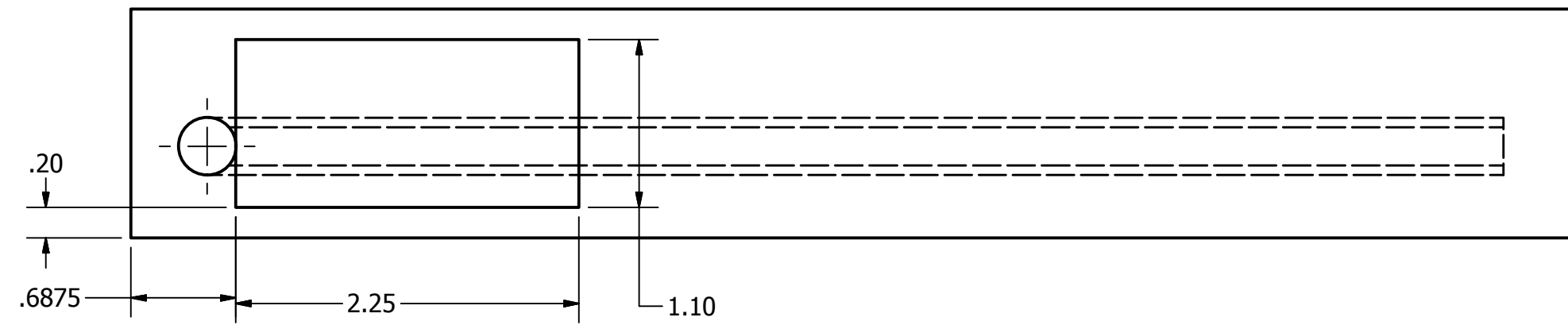
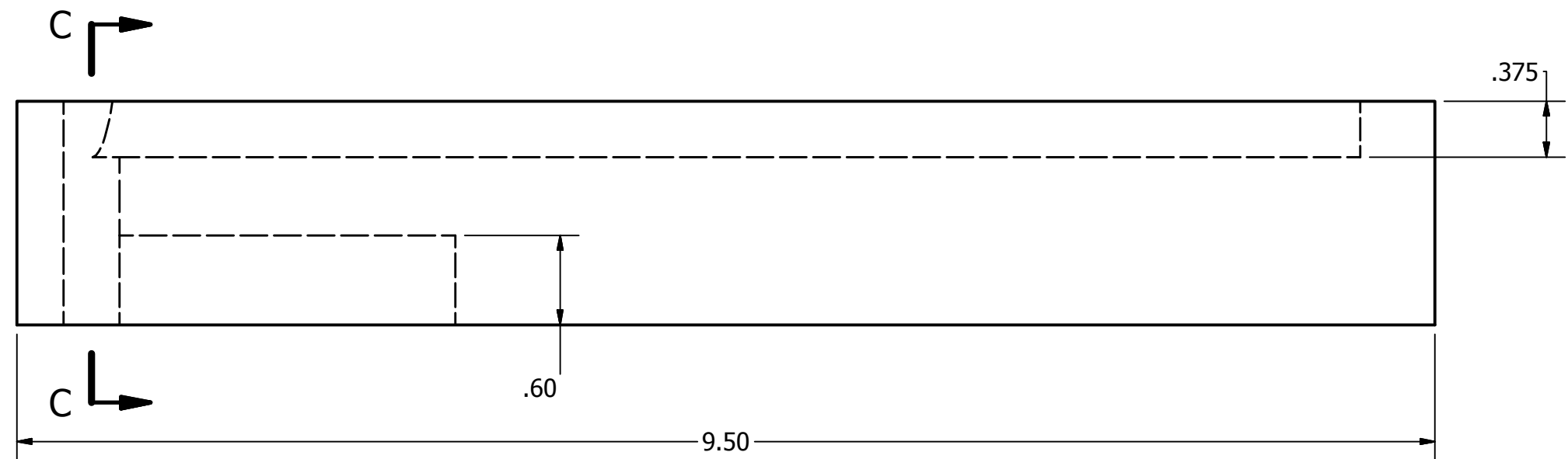


Note: Material is Pine wood. Sand wood edges to soft to touch once all cuts are complete



SECTION C-C  
SCALE 1 : 1



DRAWN Eric Wilms	12/23/2013	Santa		
CHECKED Self	12/23/2013	TITLE		
QA		LightBox		
MFG Dad	12/23/2013	SIZE C	DWG NO 70001	REV 1
APPROVED Dad	12/23/2013	SCALE	SHEET 1 OF 1	