

This datasheet describes the use of the MiCS-2714. The package and the mode of operation illustrated in this document targets the detection of NO2.

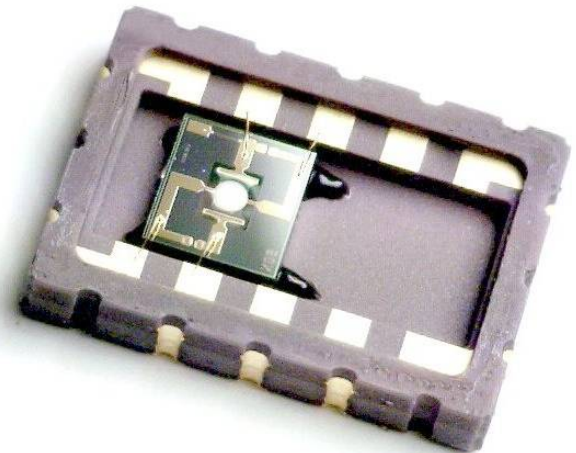
FEATURES

- Low heater current
- Wide detection range
- Wide temperature range
- High sensitivity
- Miniature dimensions
- High resistance to shocks and vibrations

OPERATING MODE

The recommended mode of operation is constant power. The nominal power, P_H , is 43 mW. The resulting temperature of the sensing layer is ~ 220 °C, in air at an ambient temperature of ~ 20 °C.

Detection of the pollution gases is achieved by measuring the sensing resistance of the sensor. The sensor resistance increases in the presence of NO2.

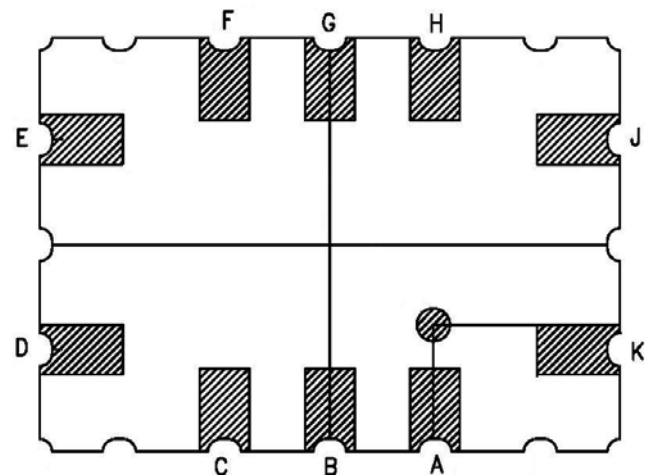


Product shown without cap

SENSOR CONFIGURATION

The silicon gas sensor structure consists of an accurately micro machined diaphragm with an embedded heating resistor and the sensing layer on top.

The internal connections are shown below.



Pin	Connection
A	Rh1
B	Rs1
C	
D	
E	
F	
G	
H	Rh2
J	Rs2
K	

Rs: sensor resistance
Rh: heater resistance

Figure 1: MiCS-2714 configuration (bottom view)

Whilst e2v technologies has taken care to ensure the accuracy of the information contained herein it accepts no responsibility for the consequences of any use thereof and also reserves the right to change the specification of goods without notice. e2v technologies accepts no liability beyond the set out in its standard conditions of sale in respect of infringement of third party patents arising from the use of tubes or other devices in accordance with information contained herein.

e2v technologies (uk) limited, Waterhouse Lane, Chelmsford, Essex CM1 2QU United Kingdom Telephone: +44 (0)1245 493493 Facsimile: +44 (0)1245 492492

e-mail: enquiries@e2v.com Internet: www.e2v.com Holding Company: e2v technologies plc

e2v technologies inc. 520 White Plains Road, Suite 450, Tarrytown, NY10591 USA Telephone: (914) 592-6050 Facsimile: (914) 592-5148 e-mail: enquiries@e2vtechnologies.us

POWER CIRCUIT EXAMPLE

As shown below, one external load resistor can be used to power the heater with a single 5 V power supply.

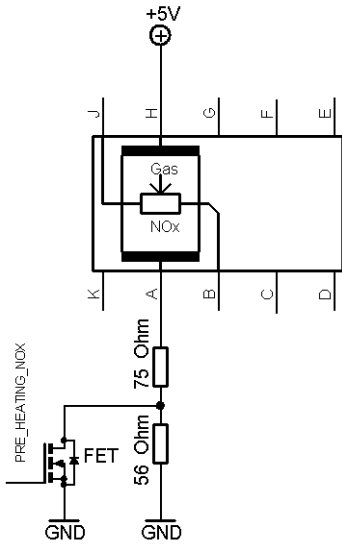


Figure 2: MiCS-2714 with recommended supply circuit (top view)

R is 131 Ω . This resistor is necessary to obtain the right temperature on the heater while using a single 5 V power supply. The resulting voltages is typically $V_H = 1.7$ V.

MEASUREMENT CIRCUIT EXAMPLE

As shown below, the sensitive resistance shall be read by using a load resistor.

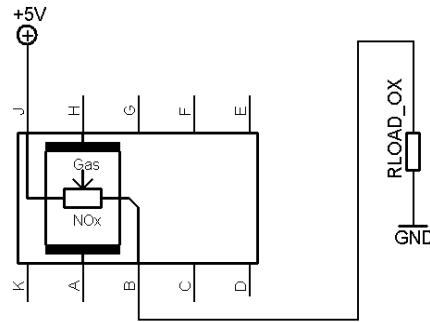


Figure 3: MiCS-2714 with measurement circuit (top view)

The voltage measured on the load resistor is directly linked to the resistance of the sensor. RLOAD must be 820 Ω at the lowest in order not to damage the sensitive layer.

SENSOR CHARACTERISTICS

OX Sensor Sensitivity

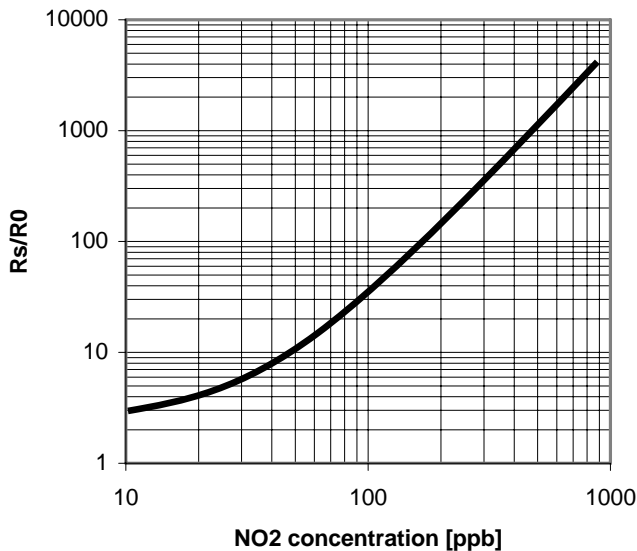


Figure 4: R_s/R_0 as a function of NO₂ concentration at 40% RH and 25 °C, measured on an engineering test bench.

ELECTRICAL CHARACTERISTICS

Rating	Symbol	Value/Range	Unit
Maximum heater power dissipation	P_H	50	mW
Maximum sensitive layer power dissipation	P_S	8	mW
Voltage supply	V_{supply}	4.9 - 5.1	V

Relative humidity range	R_H	5 - 95	%RH
Ambient operating temperature	T_{amb}	-30 - 85	°C
Storage temperature range	T_{sto}	-40 - 120	°C
Storage humidity range	RH_{sto}	5 - 95	%RH

OPERATING CONDITIONS

Parameter	Symbol	Typ	Min	Max	Unit
Heating power	P_H	43	30	50	mW
Heating voltage	V_H	1.7	-	-	V
Heating current	I_H	26	-	-	mA
Heating resistance at nominal power	R_H	66	59	73	Ω

SENSITIVITY CHARACTERISTICS

Characteristic (OX Sensor)	Symbol	Typ	Min	Max	Unit
NO ₂ detection range	FS		0.05	5	ppm
Sensing resistance in air (see note 1)	R_0	-	0.8	20	k Ω
Sensitivity factor (see note 2)	S_R	-	6	-	-

Notes:

1. Sensing resistance in air R_0 is measured under controlled ambient conditions, i.e. synthetic air at 23 ± 5 °C and $50 \pm 10\%$. Data derived from test samples.
2. Sensitivity factor is defined as R_S at 0.25 ppm of NO₂, divided by R_S in air. Test conditions are 23 ± 5 °C and ≤ 5 %RH. Indicative values only, data derived from test samples.

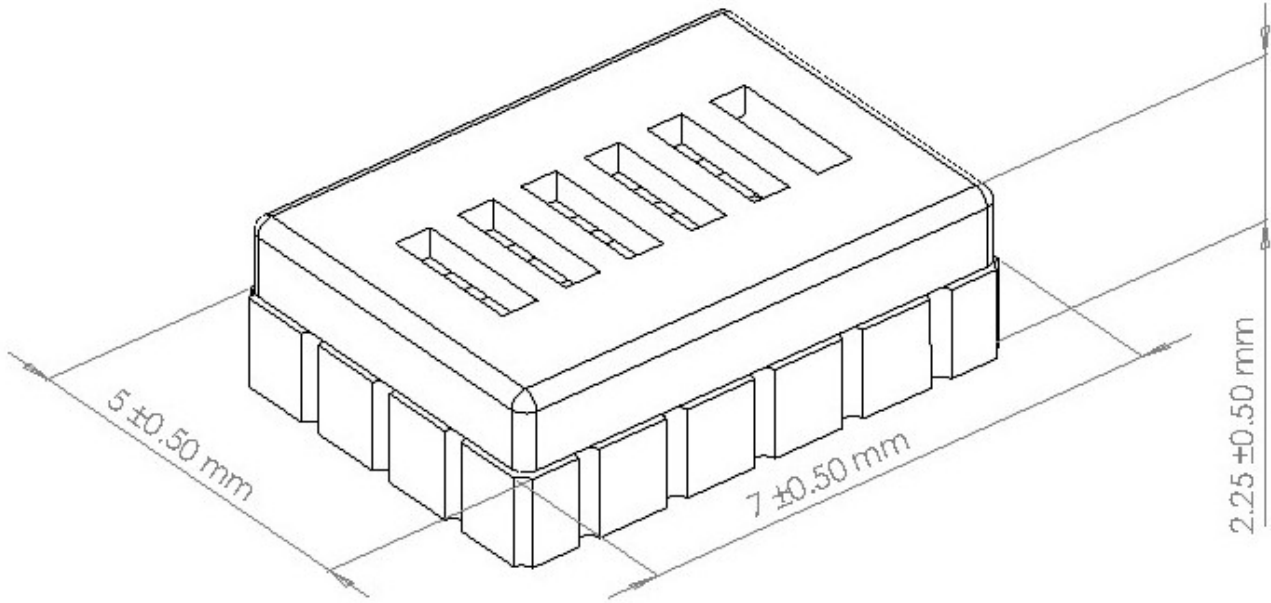
IMPORTANT PRECAUTIONS

Read the following instructions carefully before using the MiCS-2714 described in this document to avoid erroneous readings and to prevent the device from permanent damage.

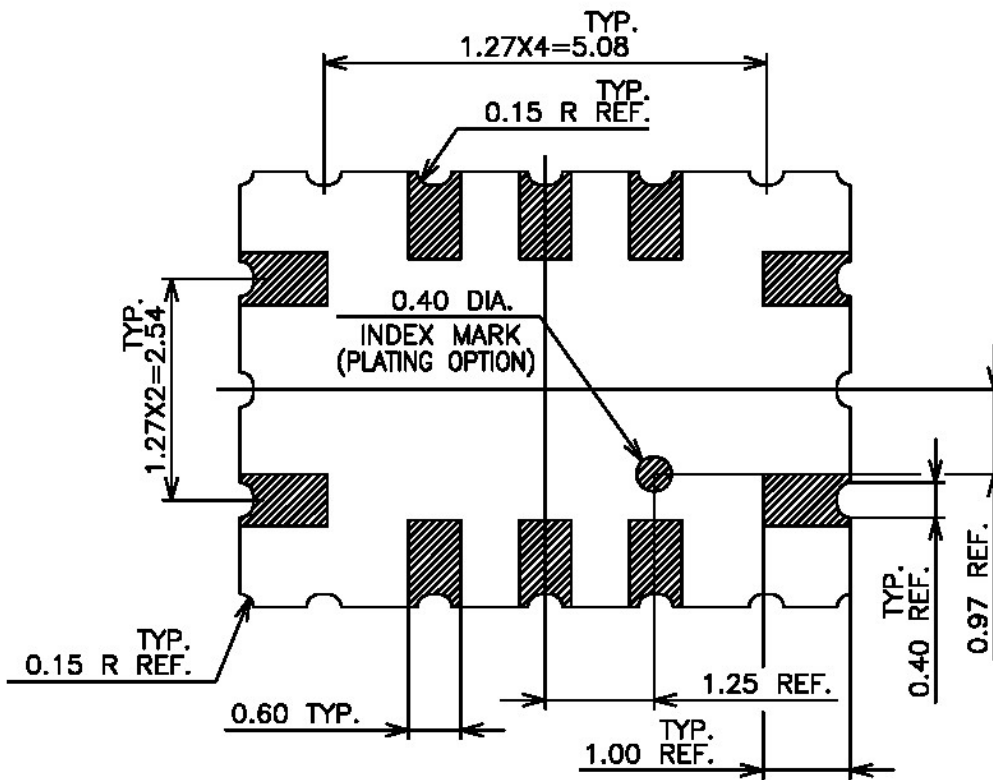
- The sensor must be reflow soldered in a neutral atmosphere, without soldering flux vapours.
- The sensor must not be exposed to high concentrations of organic solvents, ammonia, silicone vapour or cigarette-smoke in order to avoid poisoning the sensitive layer.
- Heater voltages above the specified maximum rating will destroy the sensor due to overheating.
- This sensor needs to be placed in a filtered package that protects it against water and dust projections.
- e2v strongly recommends using ESD protection equipment to handle the sensor.
- For any additional questions, contact e2v.

PACKAGE OUTLINE DIMENSIONS

The package is compatible with SMD assembly process.

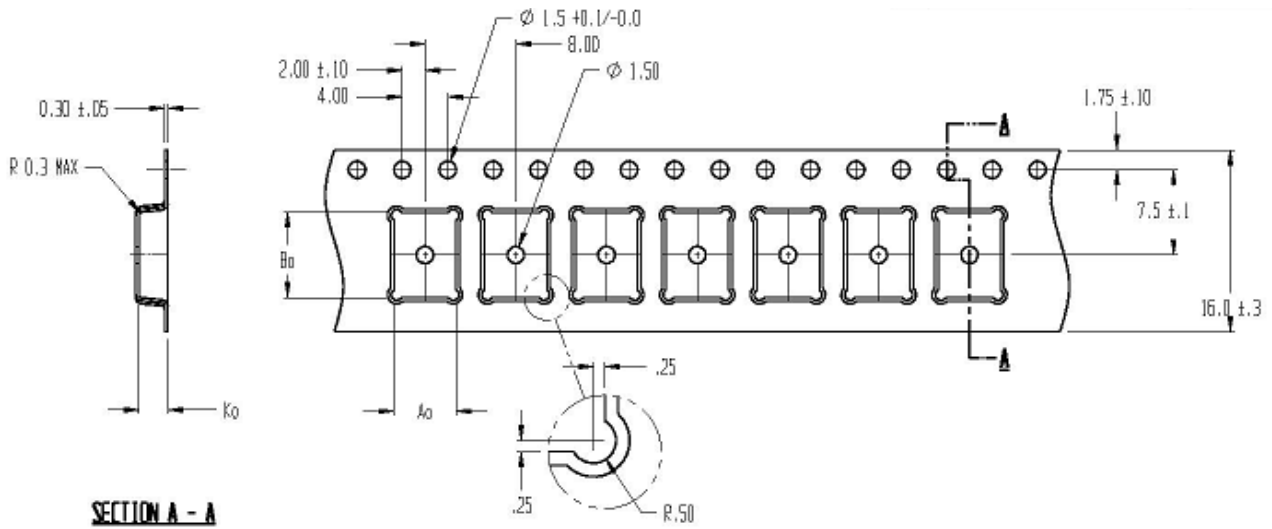


SOLDERING PADS GEOMETRY

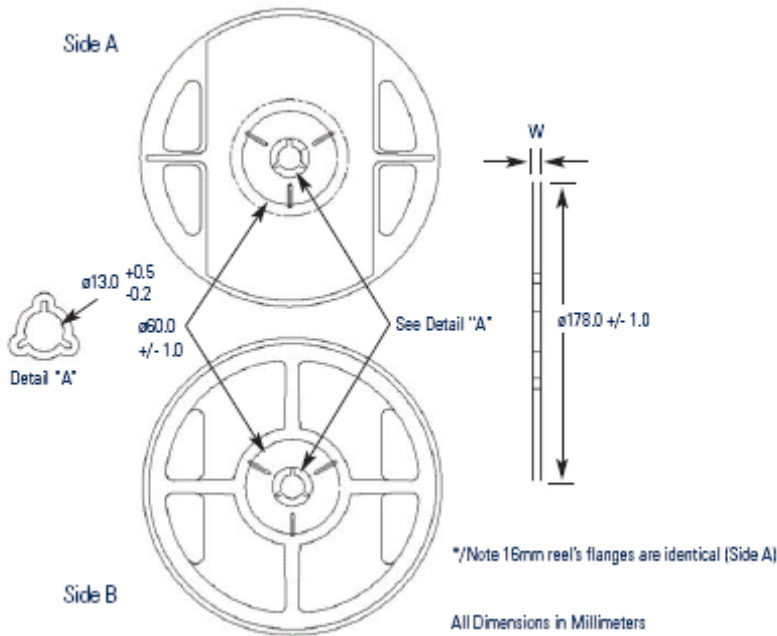


PACKAGING TAPE AND REEL FOR EXPEDITION

The sensors are placed in a carrier tape. The dimensions of the cavity are $5.5 \times 7.5 \times 2.55 \text{ mm}$ (the tolerance is $\pm 0.2 \text{ mm}$).



The outside diameter of the reel is either 178 ± 1 mm (for a maximum of 700 sensors) or $330 + 0.25 / - 4$ mm (for a maximum of 2000 sensors).



e2v semiconductor gas sensors are well suited for leak detection and applications requiring limited accuracy. Their use for absolute gas concentration detection is more complicated because they typically require temperature compensation, calibration, and sometimes as well, humidity compensation. Their base resistance in clean air and their sensitivity can vary overtime depending on the environment they are in. This effect must be taken into account for any application development (1107-1.0).