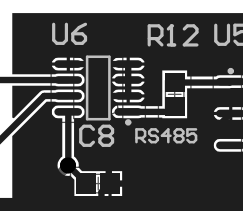


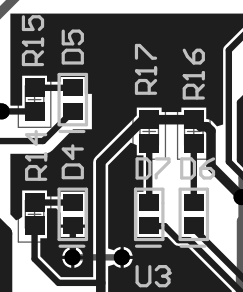
DMX512 LED Controller Rev 2 2011

PCB by Thomas Daede
daede003@umn.edu

J3



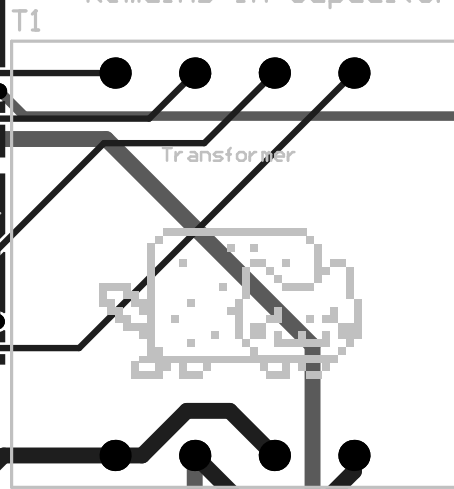
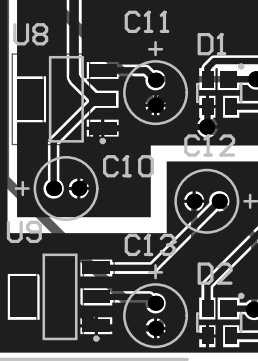
J4



NTP
Aurora Digitalis

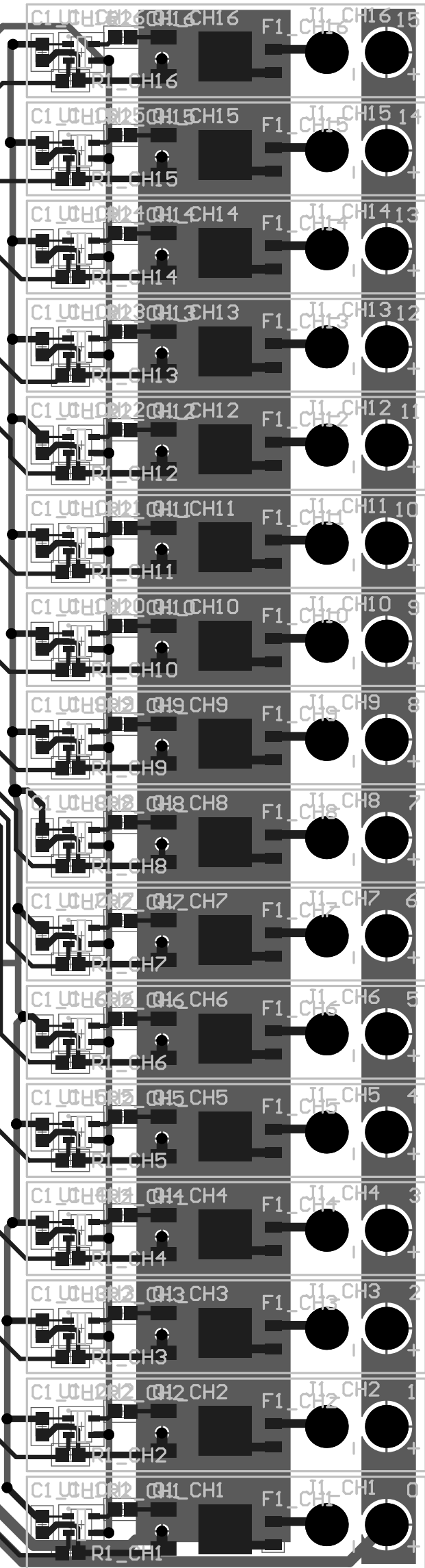
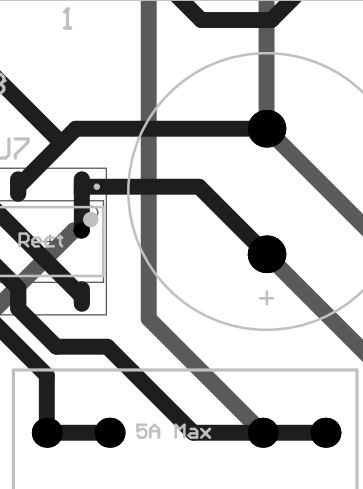


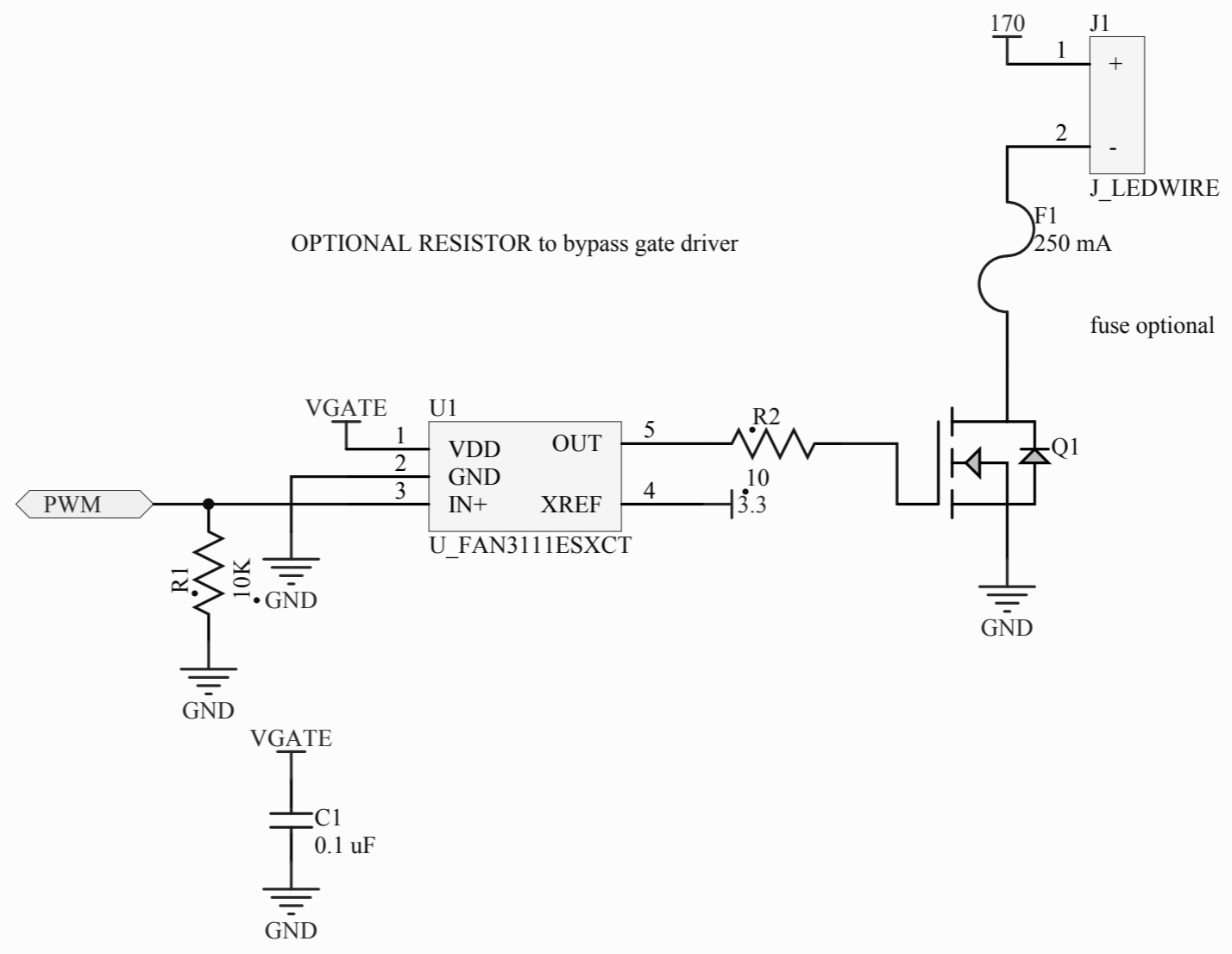
Danger: High Voltage
Remains In Capacitor



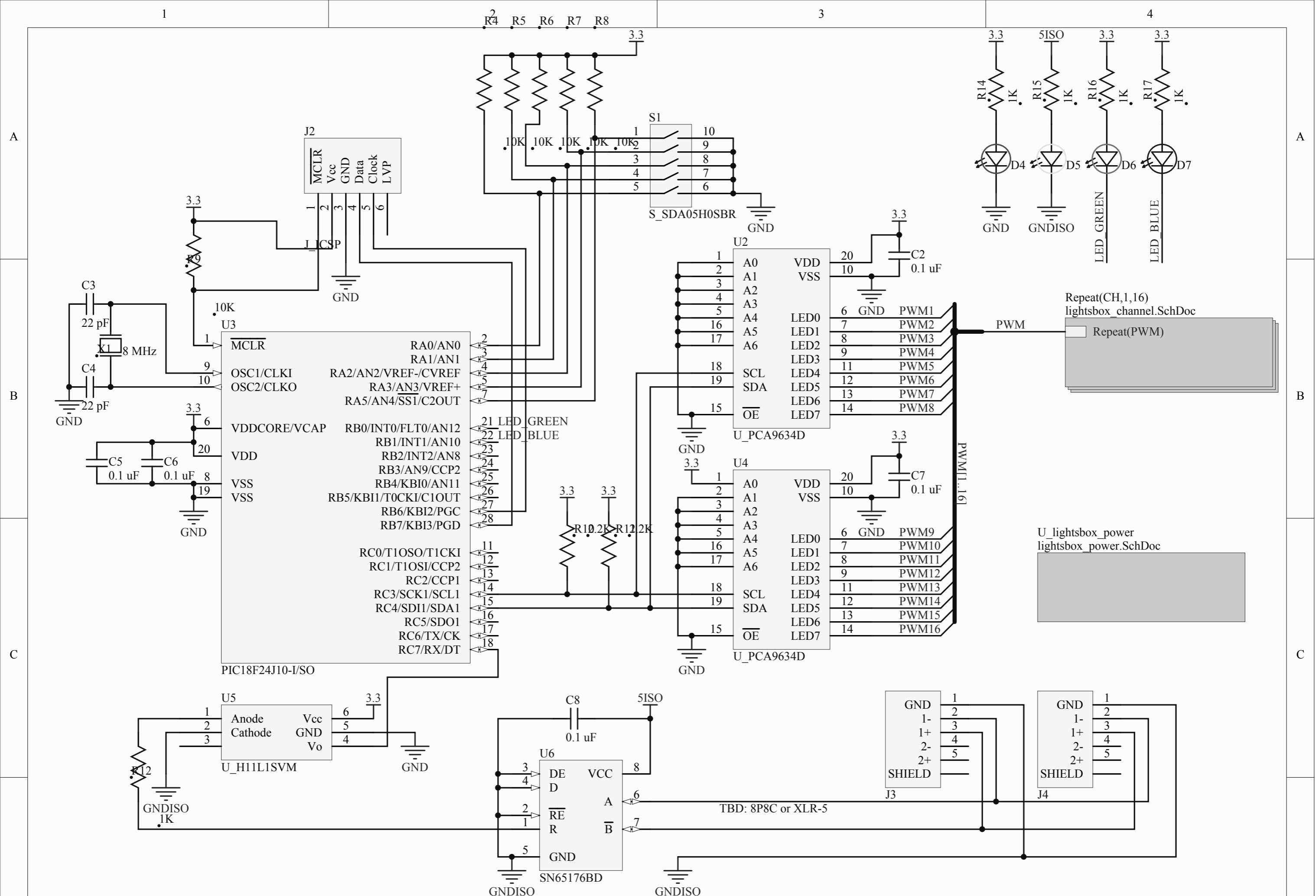
J5

Power In

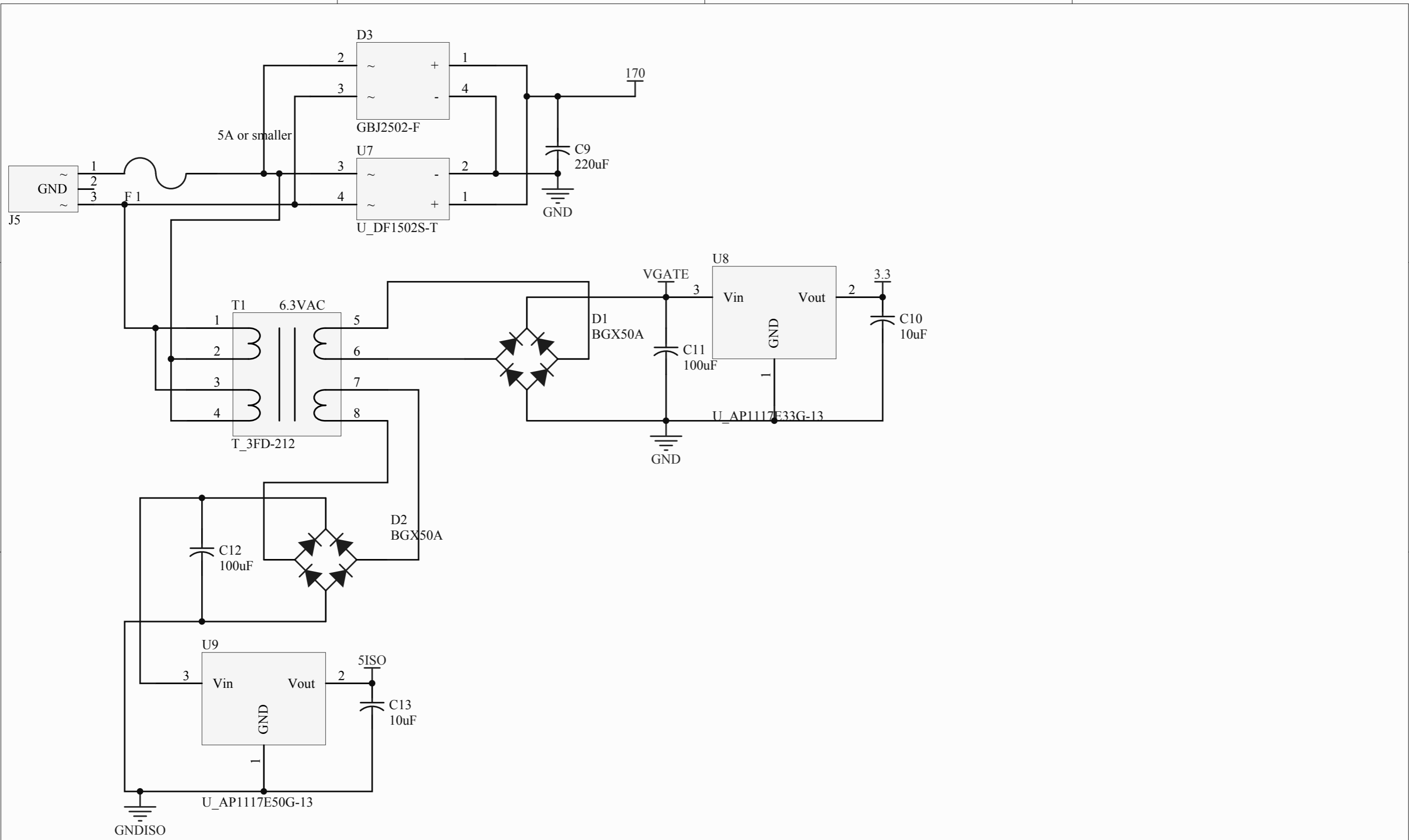




Title		
NTP^2 Lights Box Channel Sheet		
Size	Number	Revision
A		0.1
Date:	11/23/2011	Sheet of
File:	C:\Documents and Settings\...\lightsbox_channel_sheet.doc	Drawn By



Title		
Size	Number	Revision
A		
Date:	NTP^211220 Blox	Logic Sheet
File:	C:\Documents and Settings\...\lightsbox main.schDoc	
Sheet of		



Title NTP^2 Lights Box Power Sheet		
Size A	Number	Revision 0.1
Date:	11/23/2011	Sheet of
File:	C:\Documents and Settings\...\lightsbox.pwr.sch Doc	