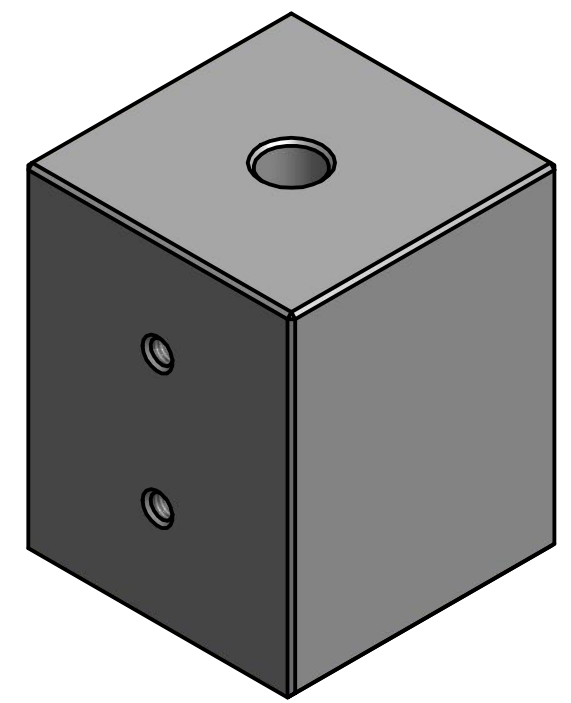
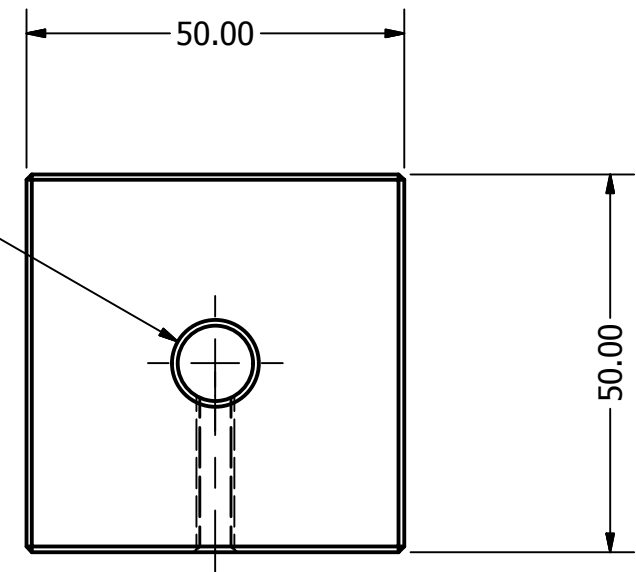
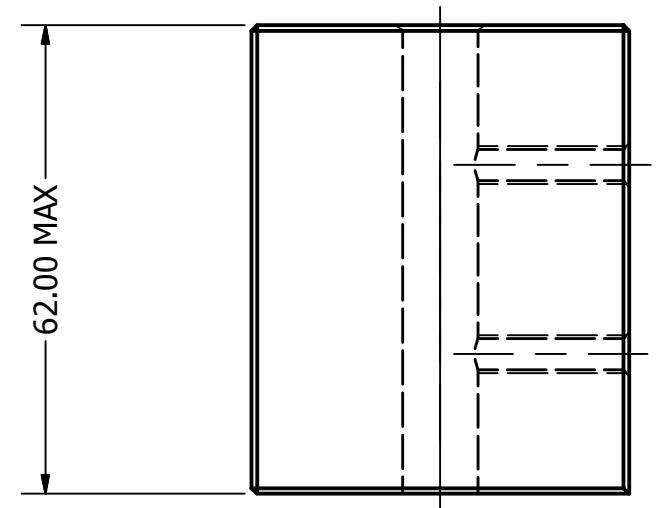
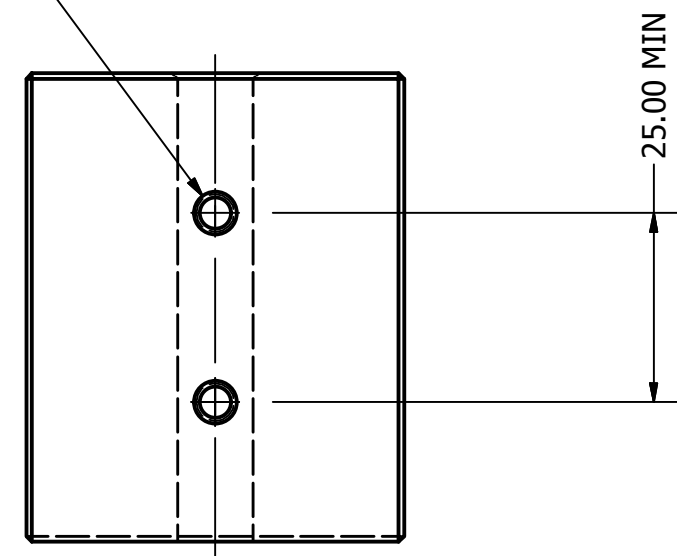


REAM \varnothing 10.00 THRU
 PIVOT SHAFT TO BE A SLIDE FIT



M5x0.8 - 6H



NOTE

10MM HOLE MUST BE IN CENTRE OF BLOCK

ALL DIMENSIONS IN MM

DRAWN me	10/04/2015			
CHECKED		TITLE		
QA				
MFG				
APPROVED				
		SIZE C	DWG NO PIVOT SHAFT JIG	REV
		SCALE	SHEET 1 OF 1	