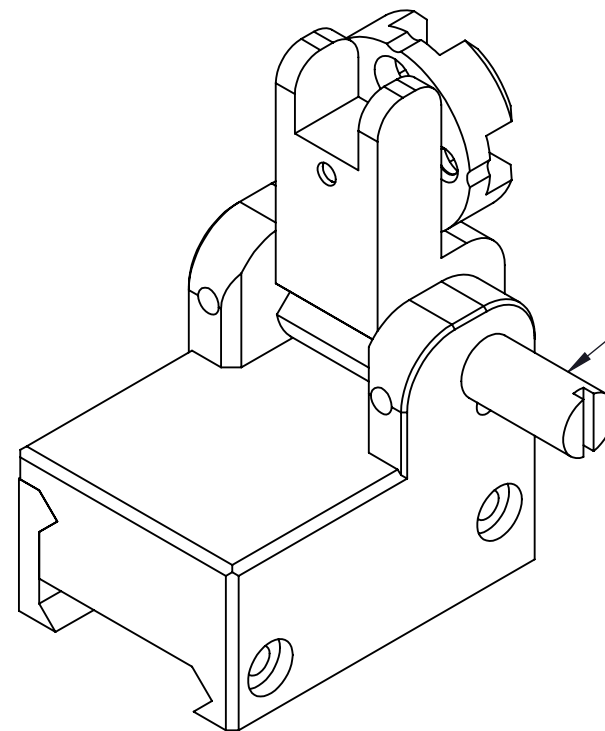
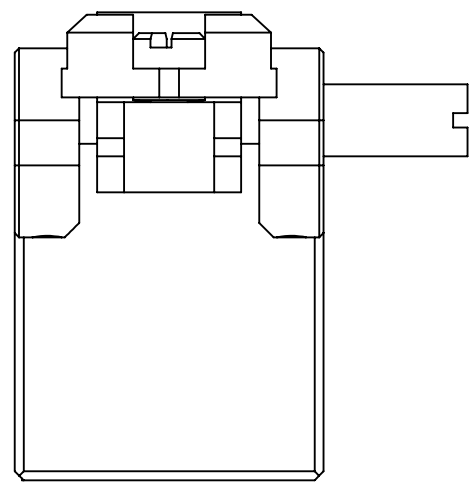
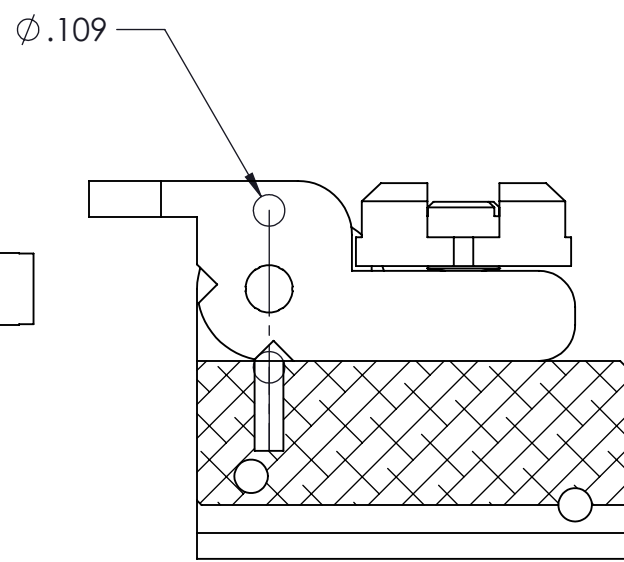
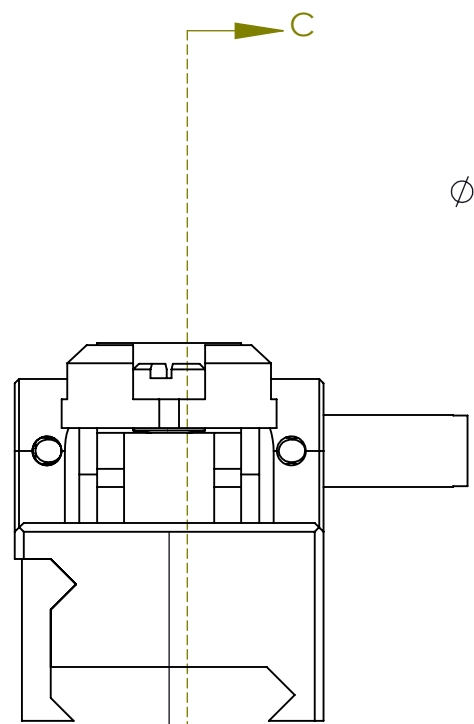


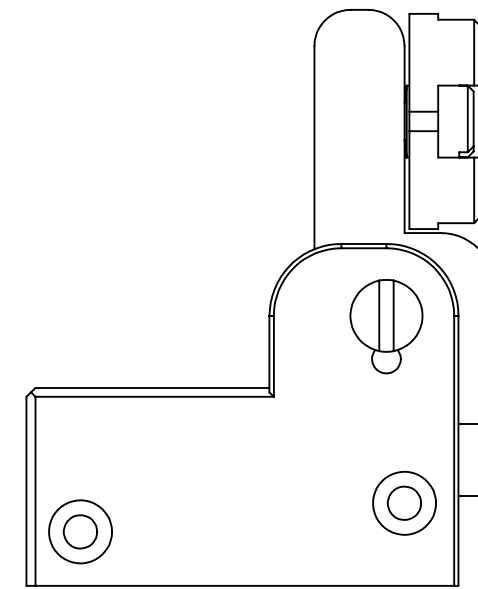
REVISIONS			
LTR.	ECO	APPROVAL	DATE
--	--	--	
--	--	--	



8-40 x 1" thumbscrew  
6 detent positions



SECTION C-C



.063

	UNLESS OTHERWISE SPECIFIED	CHECKED: --	
	DIMENSIONS ARE IN INCHES	PROJ. ENG. --	
	ONE PLACE DECIMALS ±0.06	PRODUCTION: --	
	TWO PLACE DECIMALS ±0.03	CUSTOMER --	
	THREE PLACE DECIMALS ±0.010	MATERIAL 6061-T4 ALUMINUM	
	FRACTIONS ±1/4		
	ANGLES ±0.5°	FINISH -	
	BREAK EDGES .005-.015		
	FABRIC DIMENSION TOLERANCES		
	N/A		
NEXT ASSEMBLY			

NOTICE:  
THIS DRAWING AND THE INFORMATION  
PROVIDED ARE PROPERTY OF RAVEN  
INDUSTRIES INC., AND MAY ONLY BE  
USED AS AUTHORIZED BY RAVEN  
INDUSTRIES INC.  
ALL RIGHTS RESERVED UNDER THE  
COPYRIGHT LAWS.

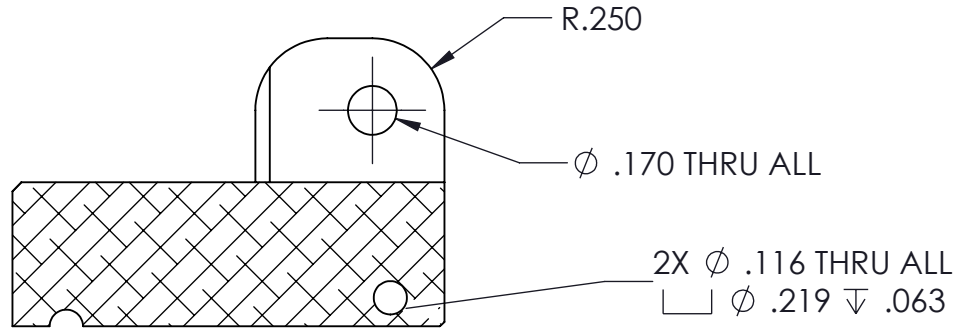
**AEROSTAR**  
INTERNATIONAL

**RAVEN**

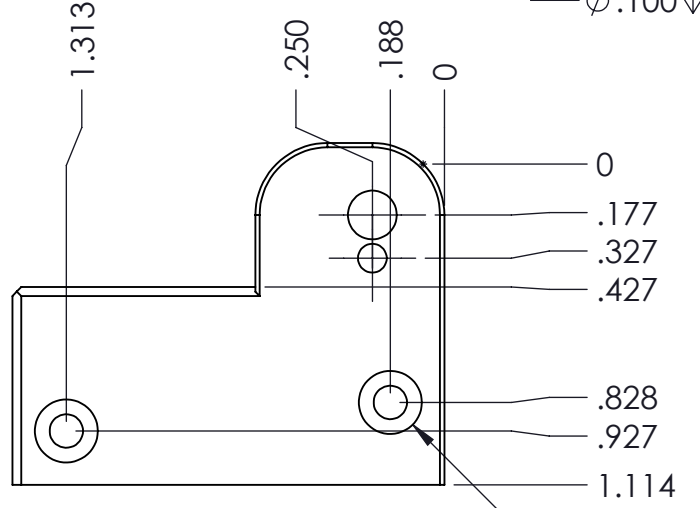
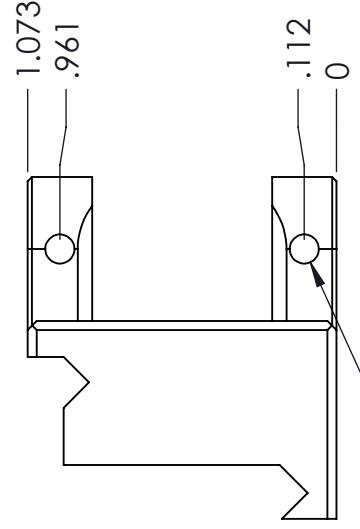
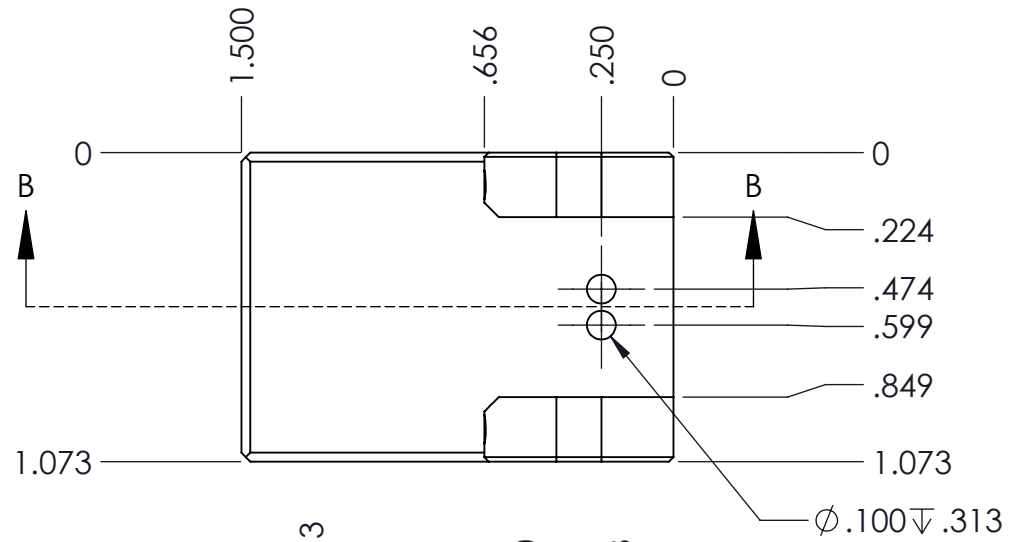
TITLE AR-15 SIGHTS REAR SIGHT ASSEMBLY			
CODE IDENT NO. 49816	SIZE B	DRAWING NUMBER NA	REVISION --
SCALE 3/2	SHEET 1 OF 7		

AEROSTAR INTERNATIONAL, INC. RESERVES ALL PROPRIETARY RIGHTS TO INFORMATION DISCLOSED HEREIN; INCLUDING RIGHTS OF PATENT, COPY-RIGHT, USE, SALE, MANUFACTURING AND/OR REPRODUCTION

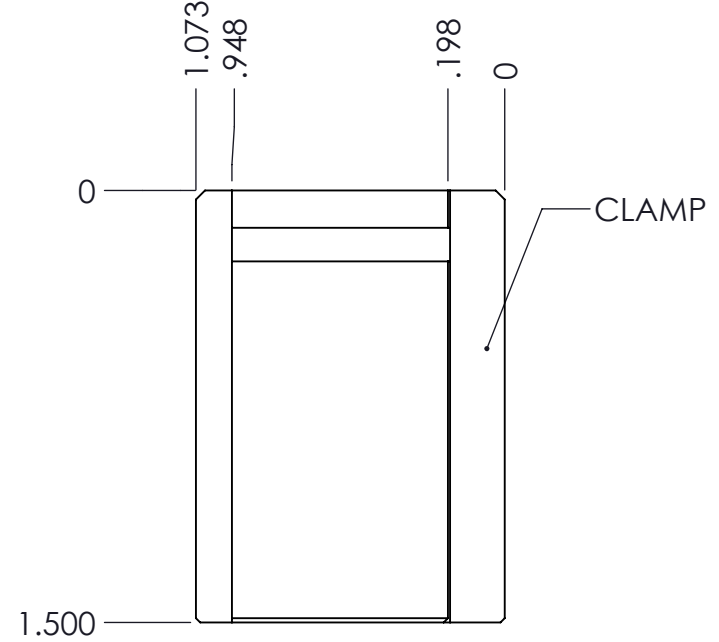
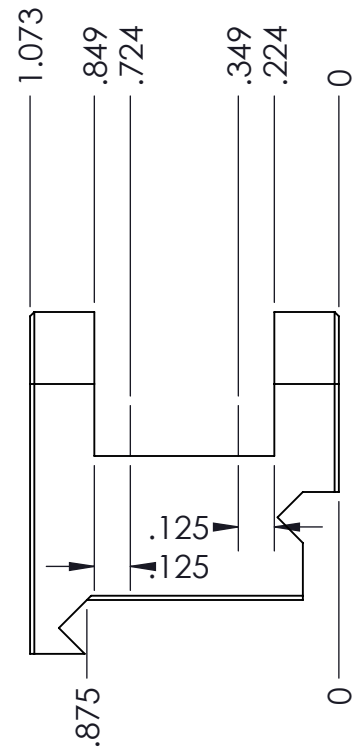
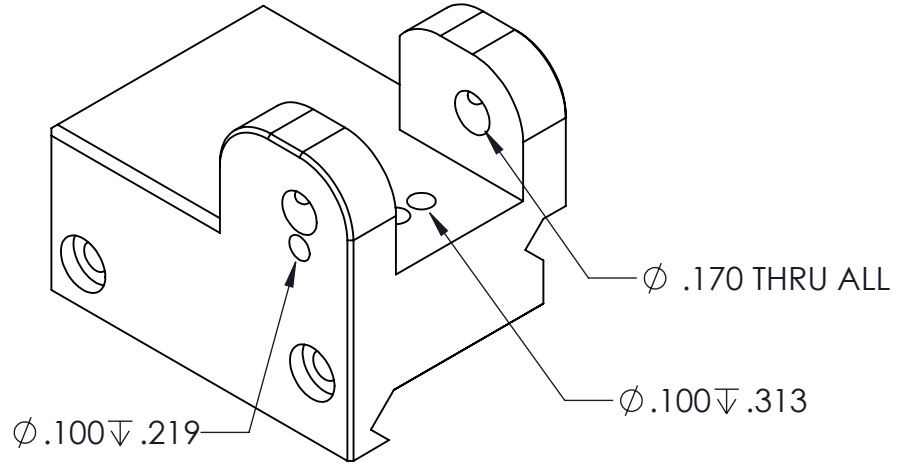
REVISIONS
SEE SHEET 1 FOR REVISIONS



SECTION B-B

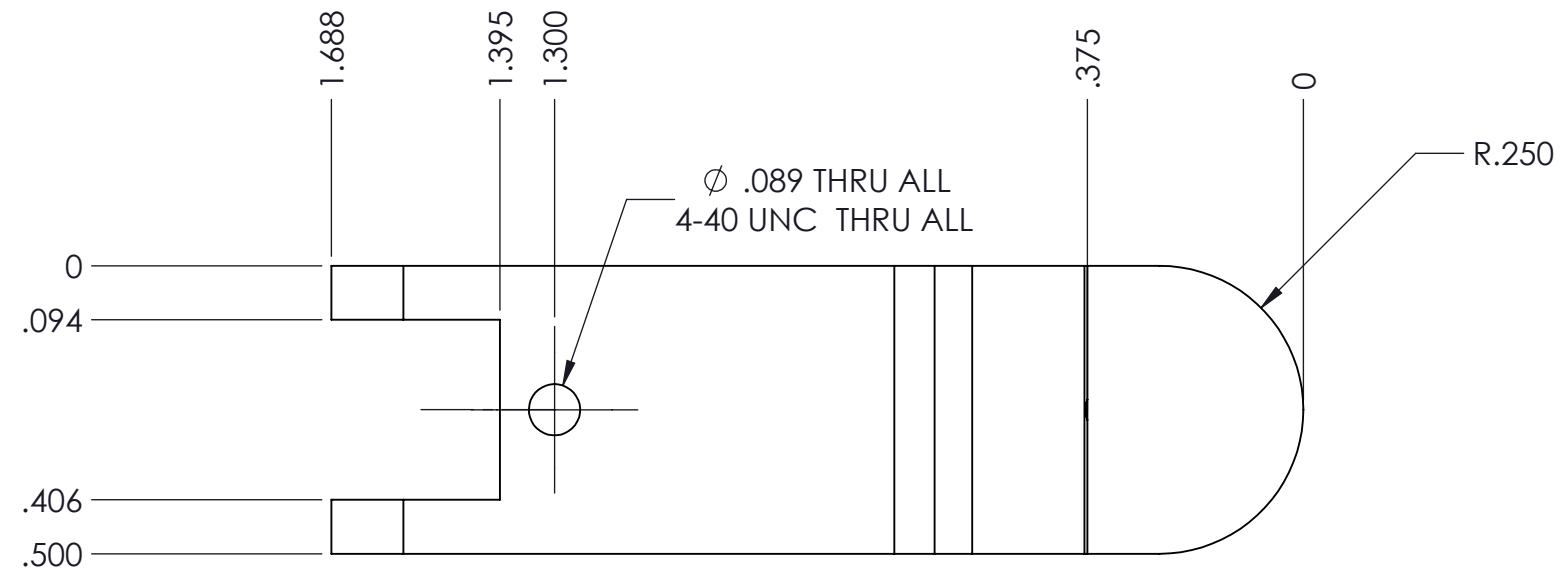
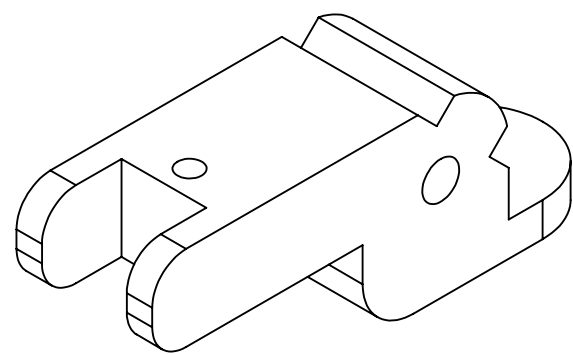
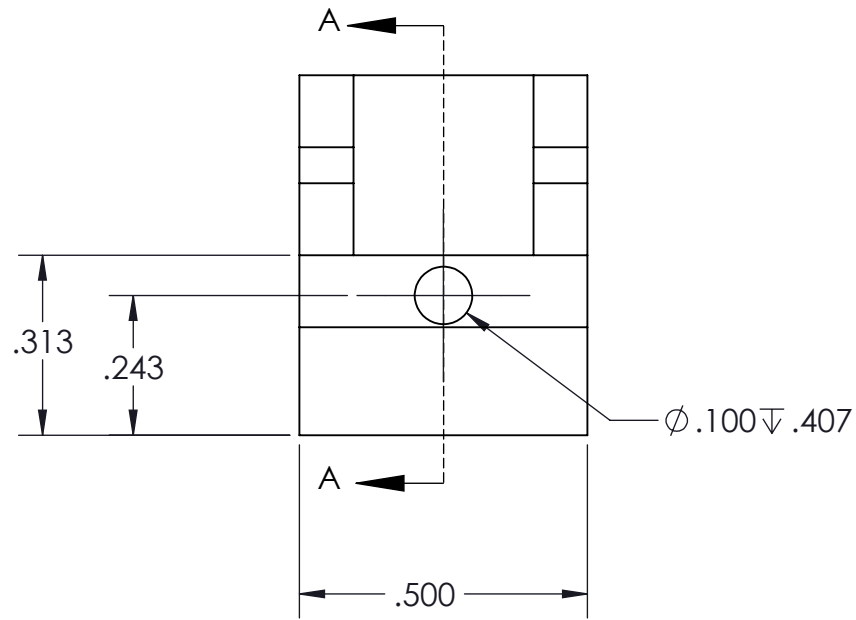
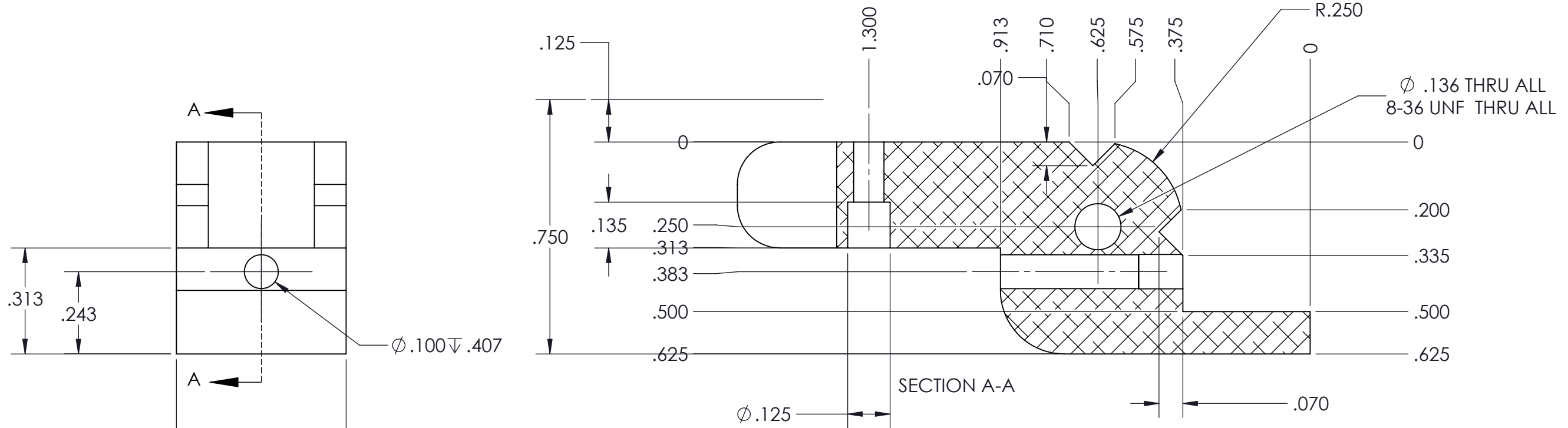


2X  $\phi$  .102  $\nabla$  .130  
 5-40 UNC  $\nabla$  .250  
 2X  $\phi$  .116 THRU ALL  
 $\phi$  .219  $\nabla$  .063

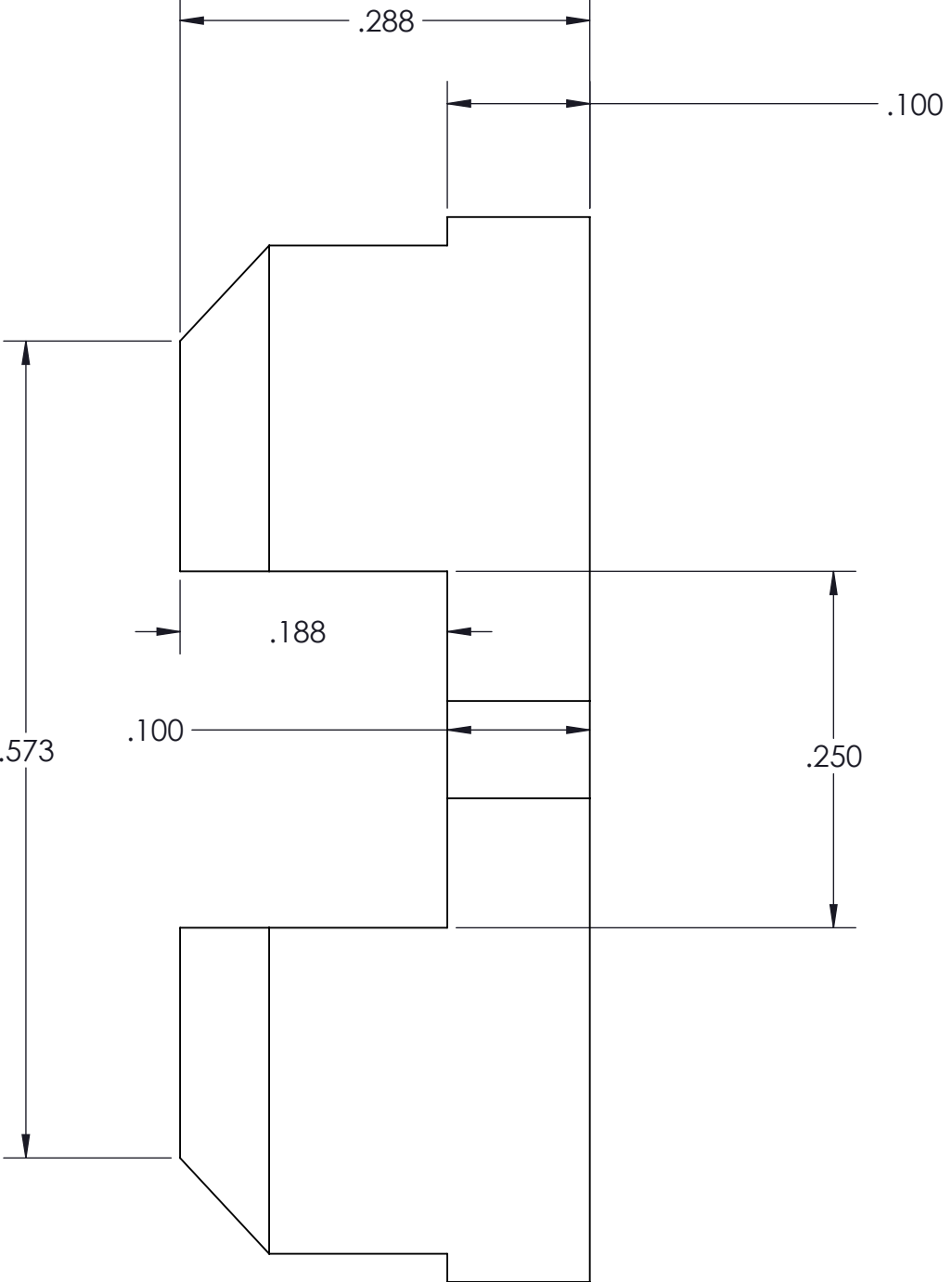
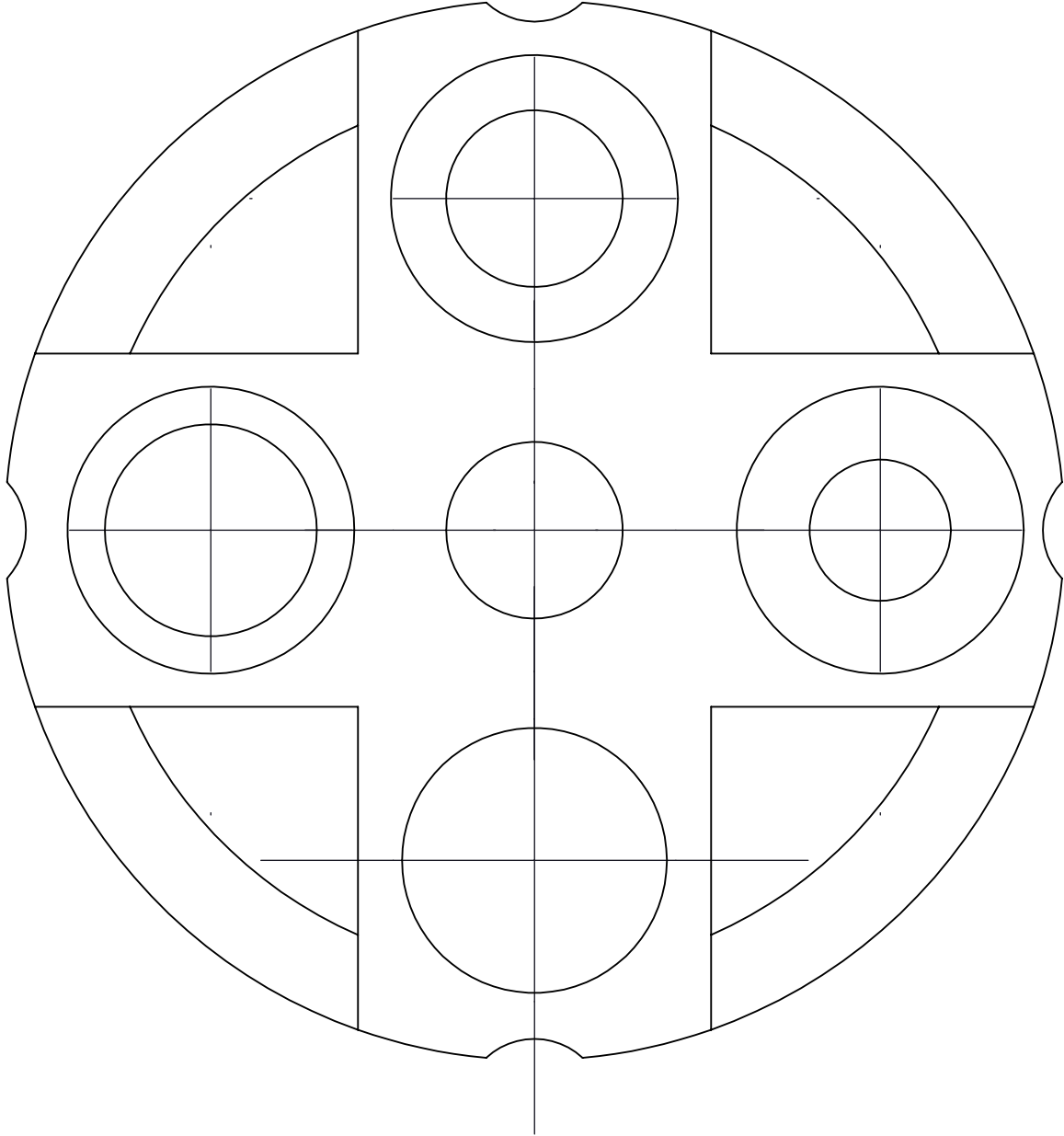
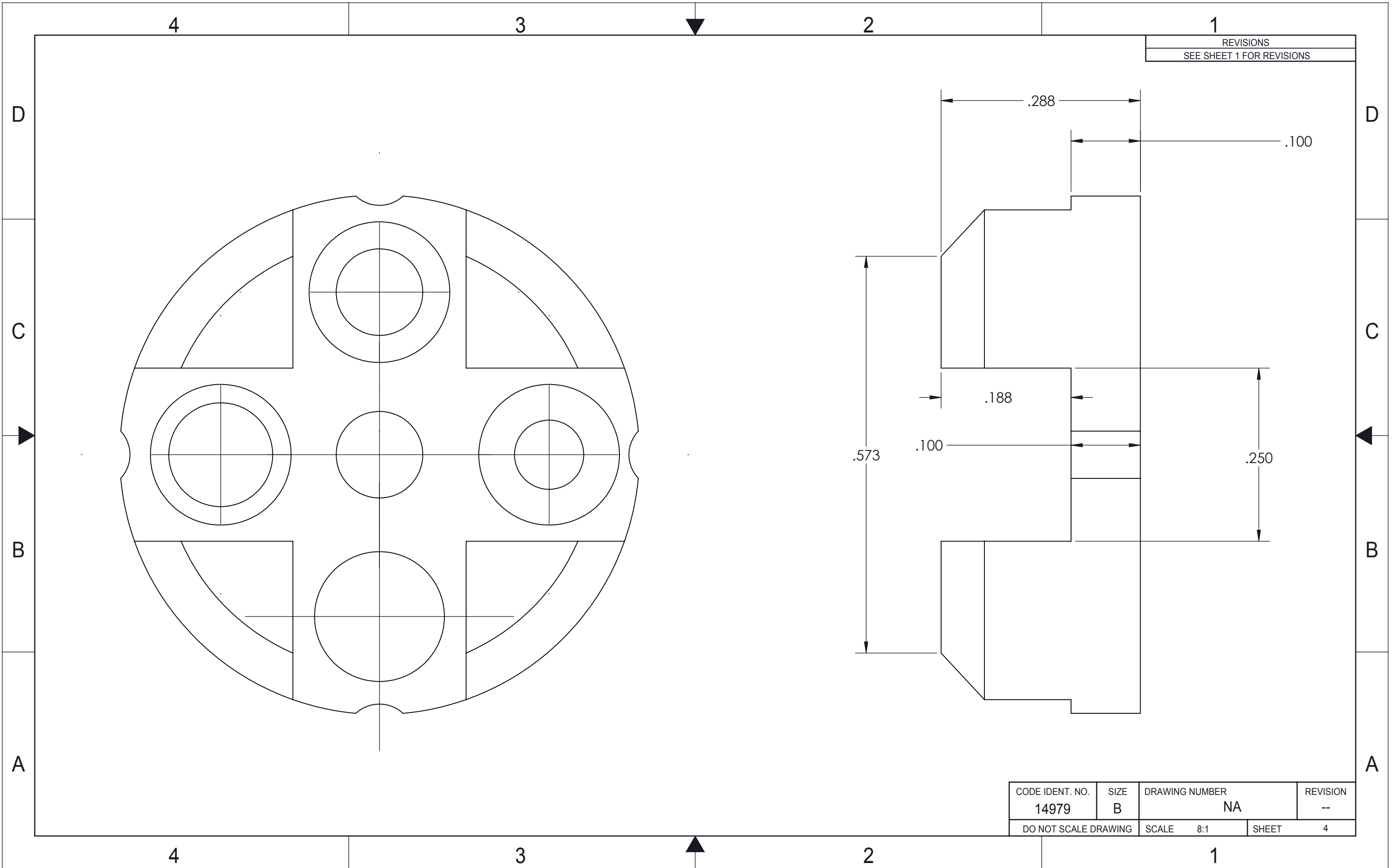


CODE IDENT. NO. 14979	SIZE B	DRAWING NUMBER NA	REVISION --
DO NOT SCALE DRAWING	SCALE 3:2	SHEET 2	

REVISIONS	
SEE SHEET 1 FOR REVISIONS	

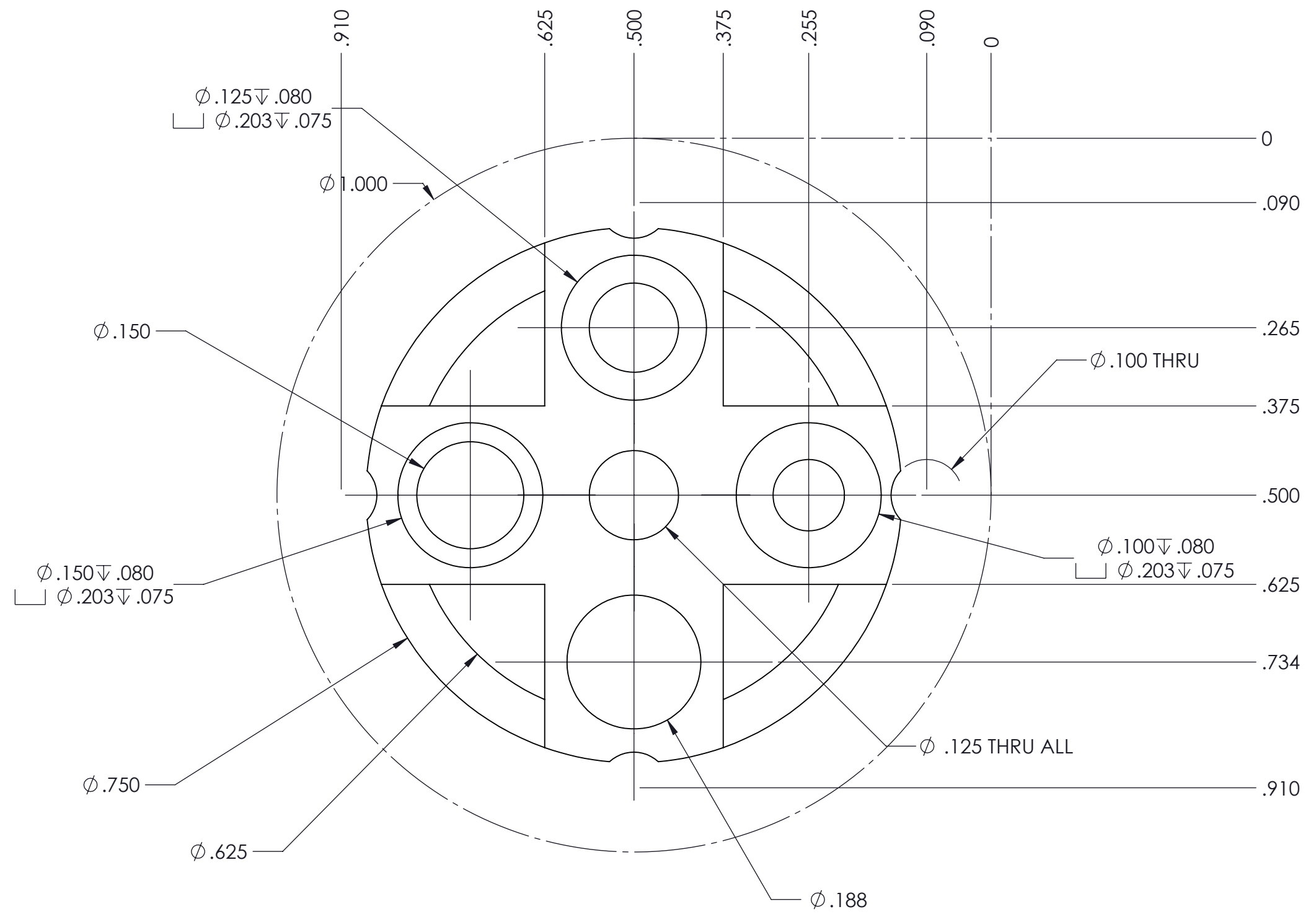


CODE IDENT. NO.	SIZE	DRAWING NUMBER	REVISION
14979	B	NA	--
DO NOT SCALE DRAWING		SCALE 3:1	SHEET 3



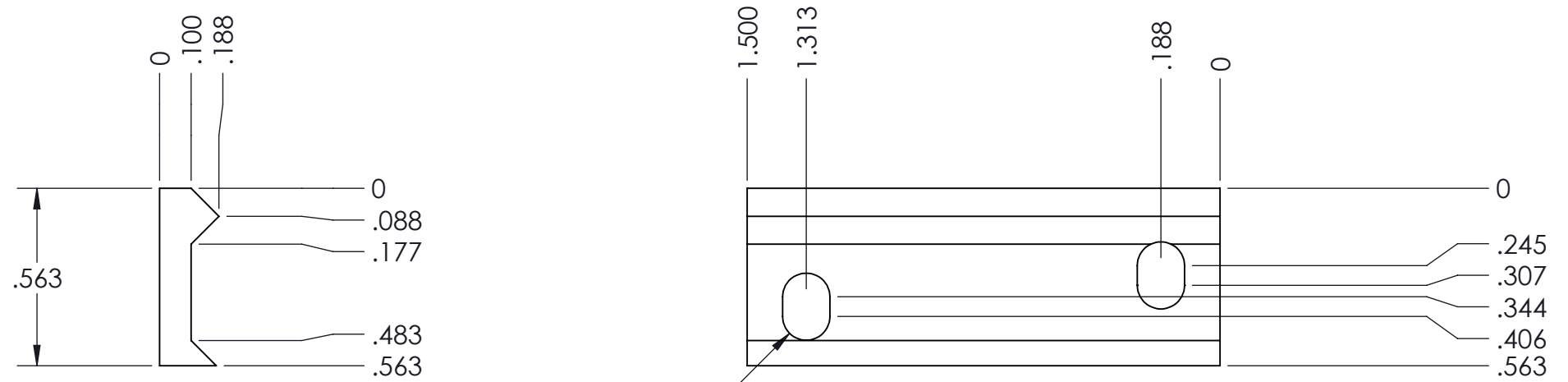
CODE IDENT. NO. 14979	SIZE B	DRAWING NUMBER NA	REVISION --
DO NOT SCALE DRAWING		SCALE 8:1	SHEET 4

REVISIONS
SEE SHEET 1 FOR REVISIONS



CODE IDENT. NO. 14979	SIZE B	DRAWING NUMBER NA	REVISION --
DO NOT SCALE DRAWING	SCALE 6:1	SHEET 5	

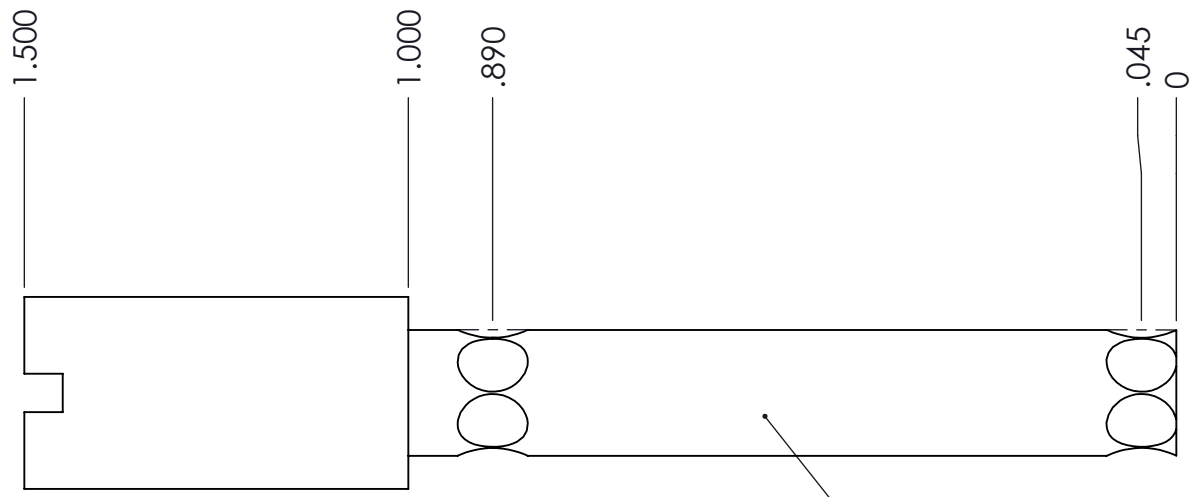
REVISIONS
SEE SHEET 1 FOR REVISIONS



.150 X .213

CODE IDENT. NO. 14979	SIZE B	DRAWING NUMBER NA	REVISION --
DO NOT SCALE DRAWING	SCALE 2:1	SHEET 6	

REVISIONS			
LTR.	ECO	APPROVAL	DATE
--	--	--	
--	--	--	



8-40 screw thread

6 detents makes for 1" adjustment at 100 yards

AEROSTAR INTERNATIONAL, INC. RESERVES ALL PROPRIETARY RIGHTS TO INFORMATION DISCLOSED HEREIN; INCLUDING RIGHTS OF PATENT, COPY-RIGHT, USE, SALE, MANUFACTURAING AND/OR REPRODUCTION

UNLESS OTHERWISE SPECIFIED DIMENSIONS ARE IN INCHES ONE PLACE DECIMALS ±0.06 TWO PLACE DECIMALS ±0.03 THREE PLACE DECIMALS ±0.010 FRACTIONS ±1/4 ANGLES ±0.5° BREAK EDGES .005-.015 FABRIC DIMENSION TOLERANCES N/A	CHECKED: --	
	PROJ. ENG. --	
	PRODUCTION: --	
	CUSTOMER --	
	MATERIAL 6061-T4 ALUMINUM	
FINISH -		
NEXT ASSEMBLY		

NOTICE:  
THIS DRAWING AND THE INFORMATION PROVIDED ARE PROPERTY OF RAVEN INDUSTRIES INC., AND MAY ONLY BE USED AS AUTHORIZED BY RAVEN INDUSTRIES INC.  
ALL RIGHTS RESERVED UNDER THE COPYRIGHT LAWS.



TITLE AR-15 SIGHTS REAR SIGHT ASSEMBLY			
CODE IDENT NO. 49816	SIZE B	DRAWING NUMBER NA	REVISION --
SCALE 4:1		SHEET 7 OF 7	

4 3 2 1

D D

C C

B B

A A

NA

4 3 2 1