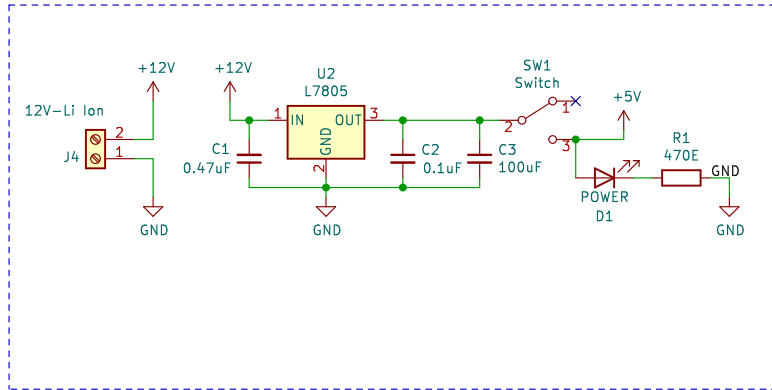
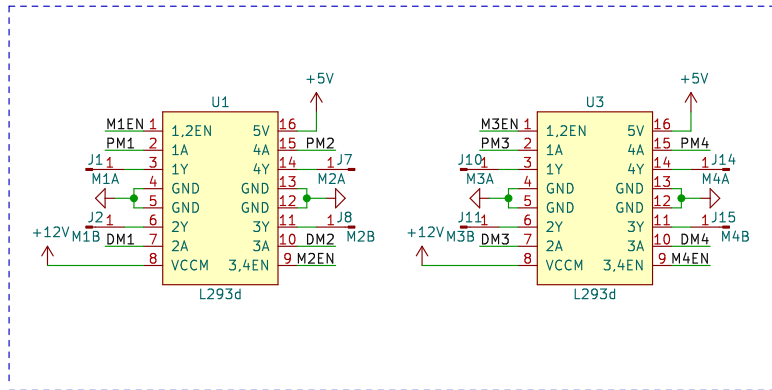


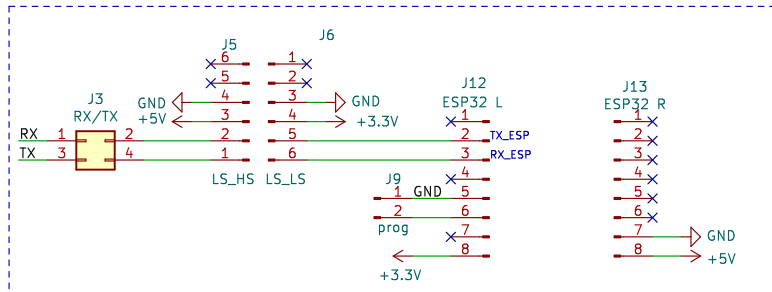
POWER SUPPLY



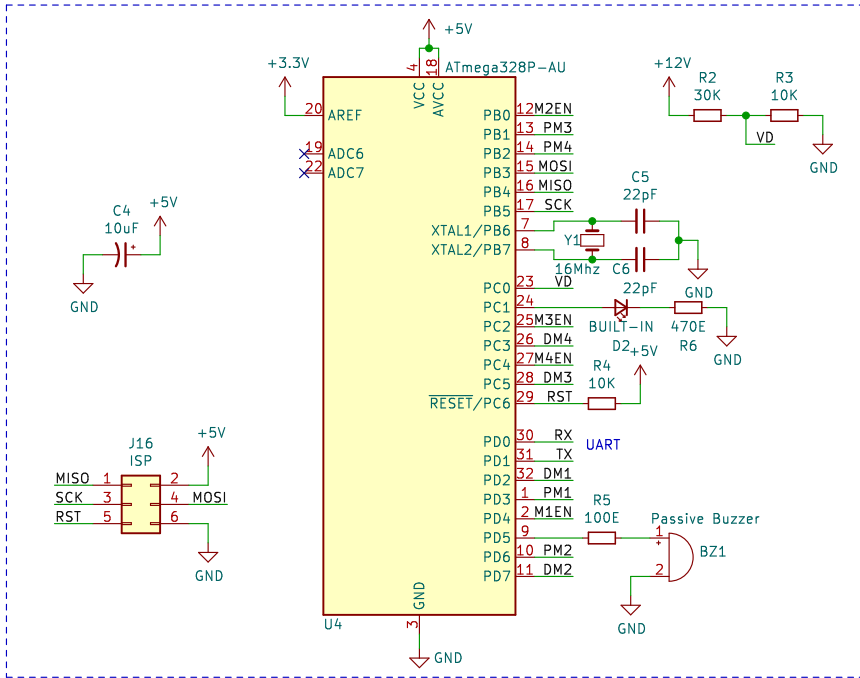
MOTOR DRIVER



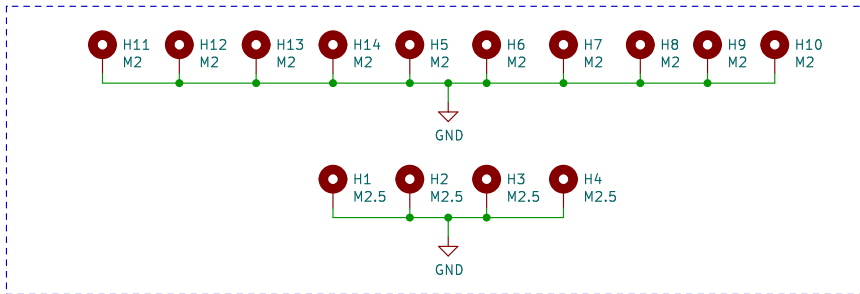
ESP32



ATMEGA328



MOUNTING HOLES



ATOM

Sheet: /
File: MecCam_pro.kicad_sch

Title: PS4 Controlled Holonomic Drive

Size: A4 Date: 2022-07-30
KiCad E.D.A. kicad (6.0.5)

Rev: V1.0
Id: 1/1