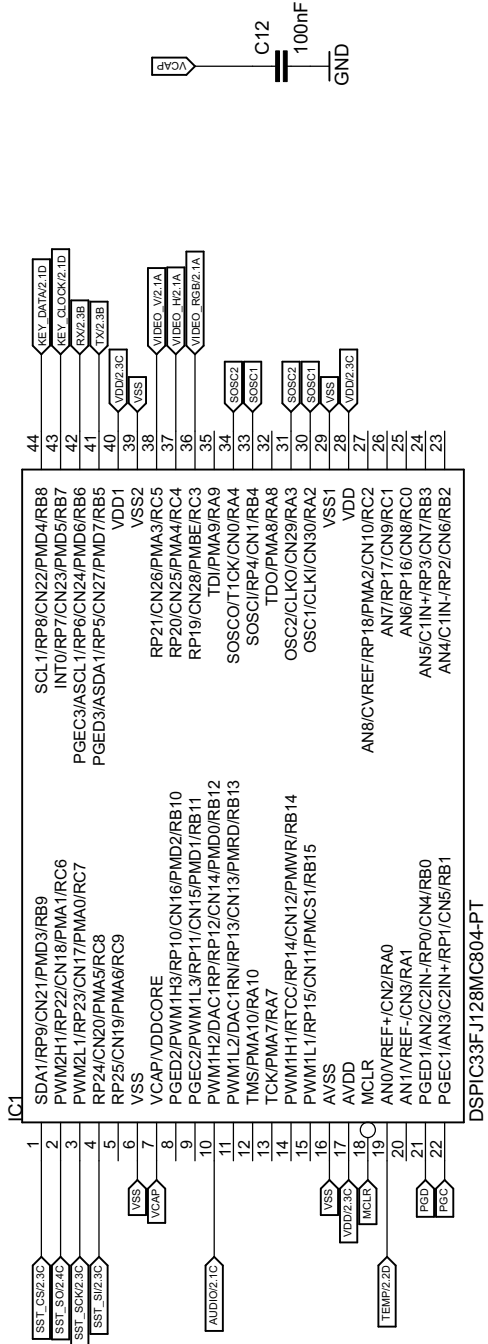
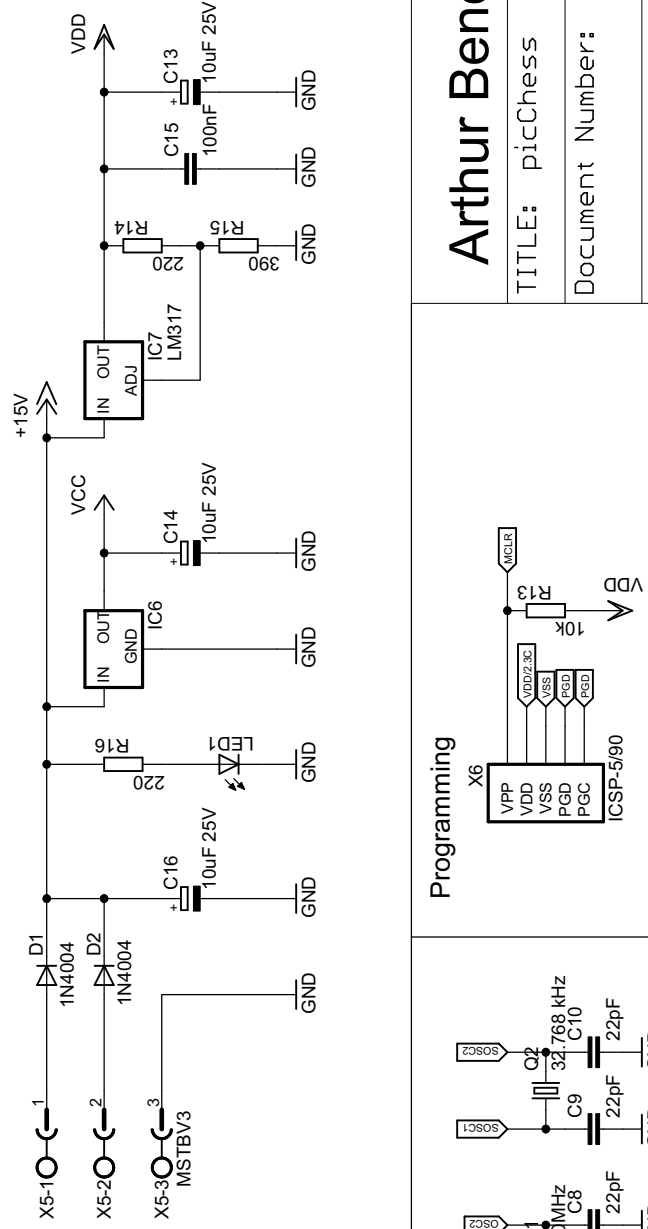


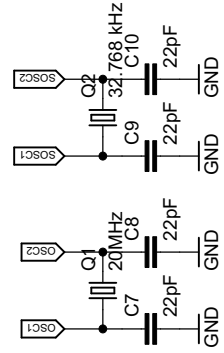
Microcontroller



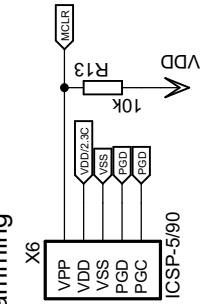
Power Supply



Oscillators



Programming



Arthur Benemann

TITLE: picChess

Document Number:

REV:

Date: 26/06/2011 21:27:47

Sheet: 1/2