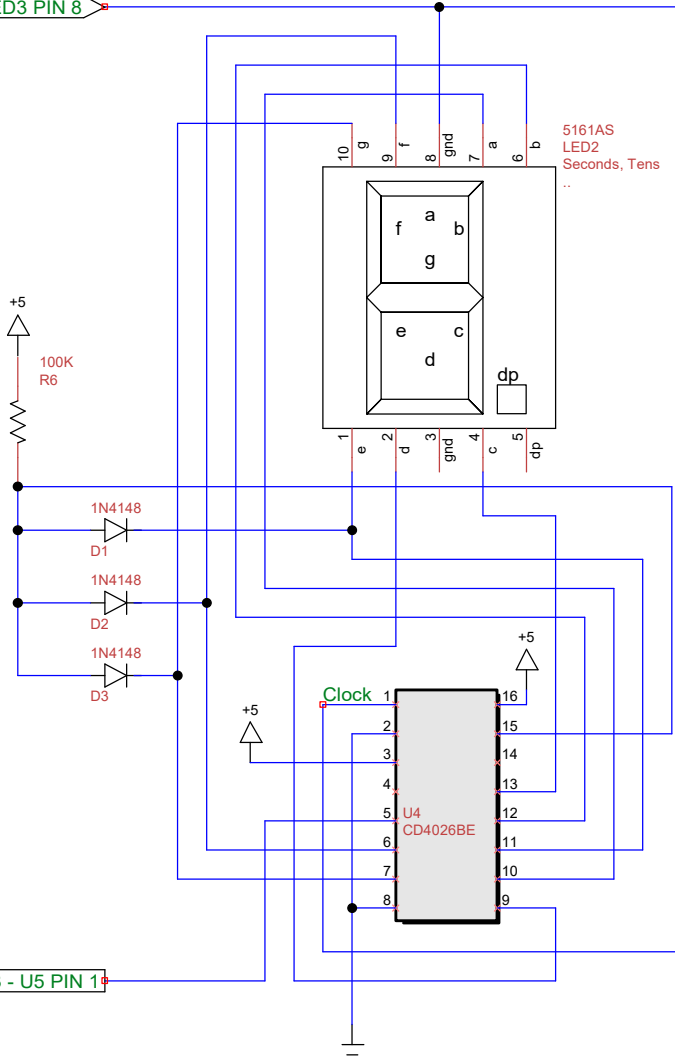


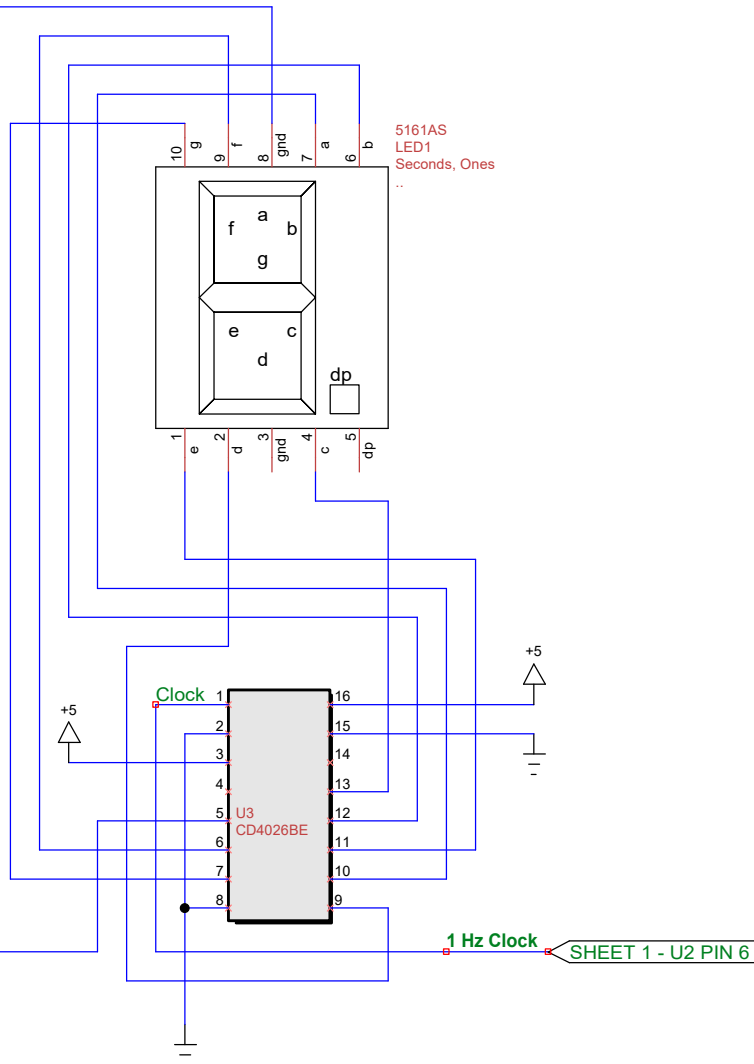
All resistors 1/4 watt.

Title Breadboard Clock - Clock Generation		
Author Lee Thayer		
File C:\Users\J1800\De ... breadboard clock II.dsn	Document	
Revision 1.0	Date 16 Apr 2023	Sheets 1 of 4

SHEET 3 - LED3 PIN 8

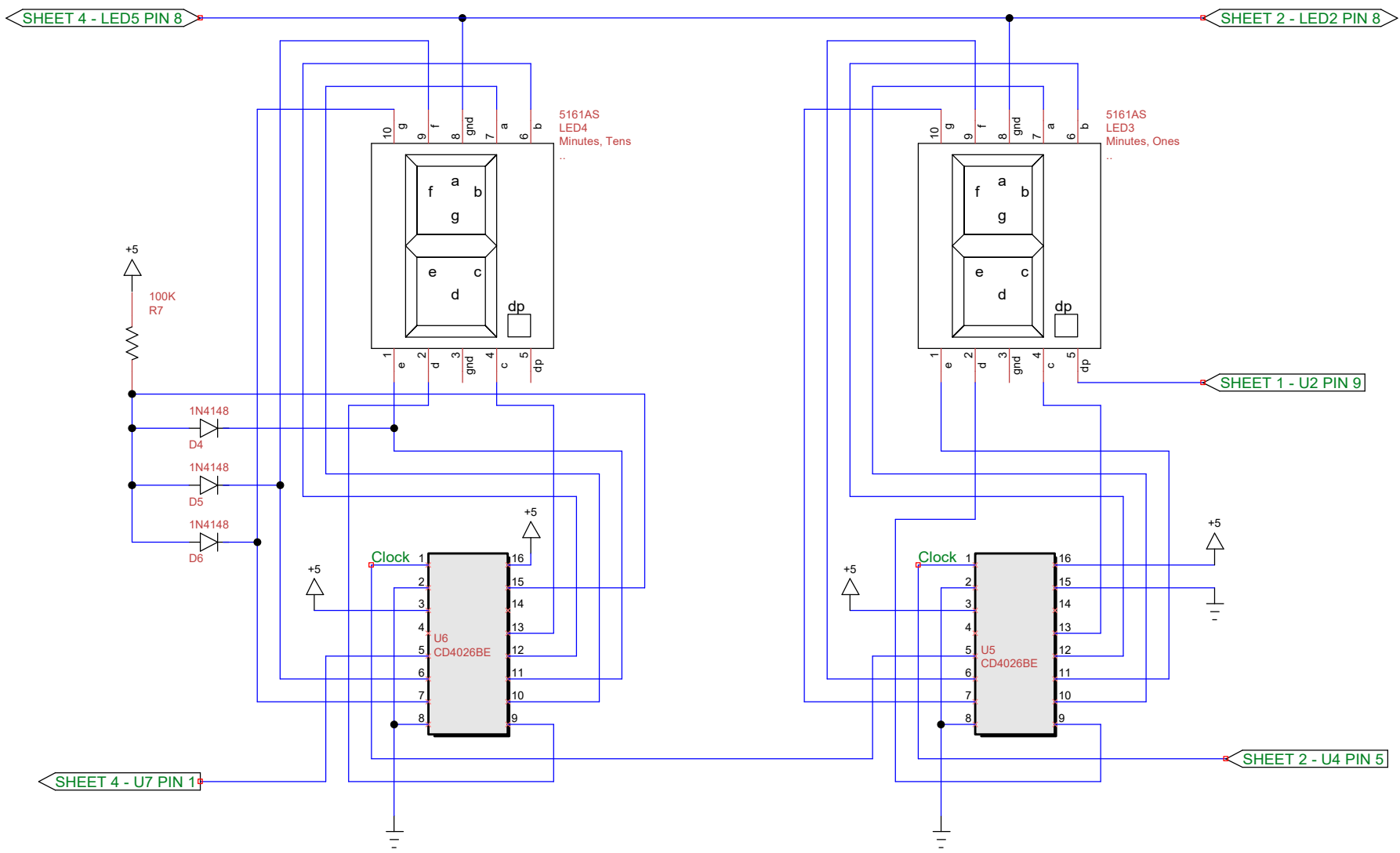


SHEET 3 - U5 PIN 1

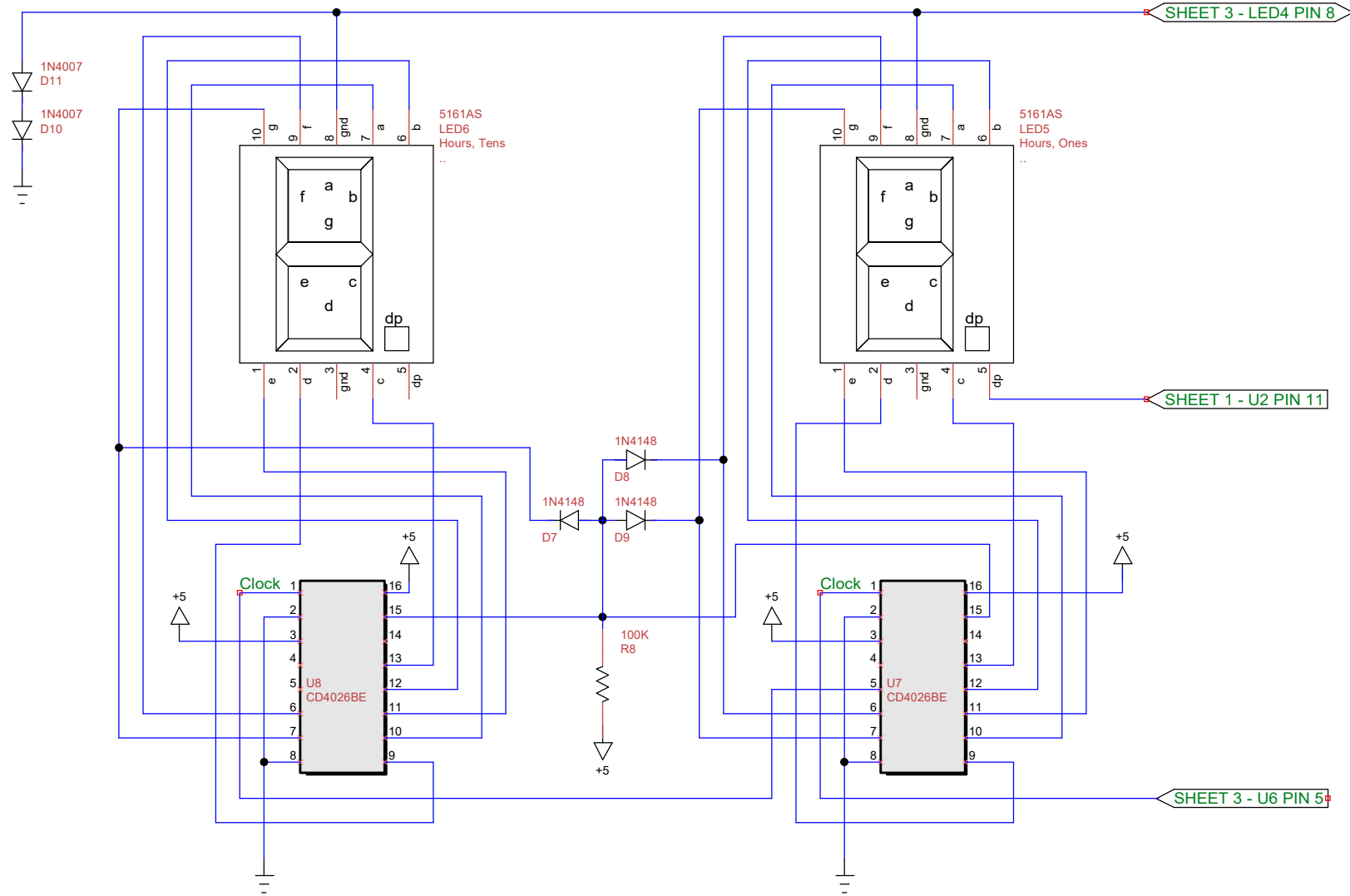


1 Hz Clock SHEET 1 - U2 PIN 6

Title Breadboard Clock - Seconds		
Author Lee Thayer		
File C:\Users\J1800\De ... breadboard clock II.dsn	Document	
Revision 1.1	Date 16 Apr 2023	Sheets 2 of 4



Title Breadboard Clock - Minutes		
Author Lee Thayer		
File C:\Users\J1800\De ... breadboard clock II.dsn	Document	
Revision 1.1	Date 16 Apr 2023	Sheets 3 of 4



SHEET 3 - LED4 PIN 8

SHEET 1 - U2 PIN 11

SHEET 3 - U6 PIN 5

Title Breadboard Clock - Hours		
Author Lee Thayer		
File C:\Users\J1800\De ... breadboard clock II.dsn	Document	
Revision 1.1	Date 19 Apr 2023	Sheets 4 of 4