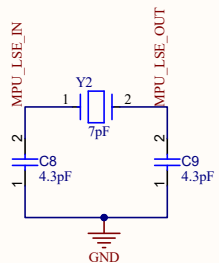


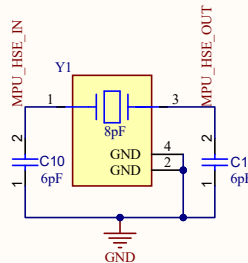
Title		
Size A4	Number	Revision
Date:	5/13/2024	Sheet of
File:	C:\Users\...\Overview.SchDoc	Drawn By:

LSE Crystal

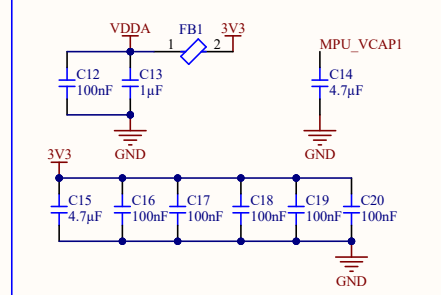


NX3215SA-32.768KHZ-EXS00A-MU00746 NX3225GA-16.000M-STD-CRG-2

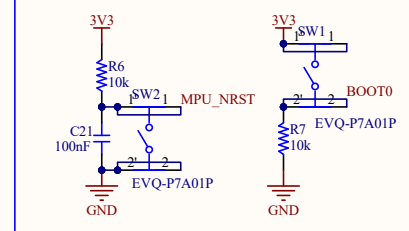
HSE Crystal



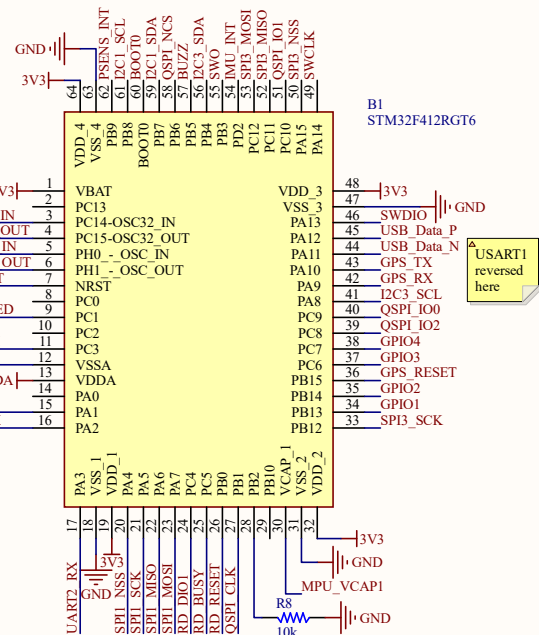
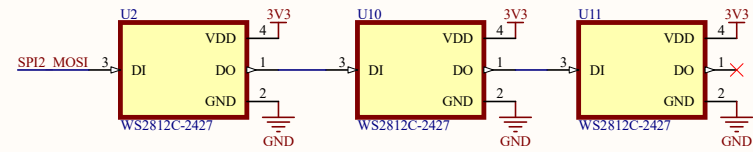
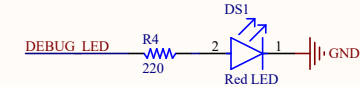
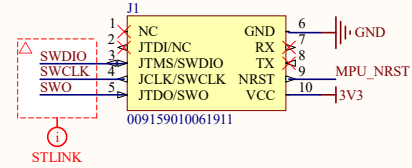
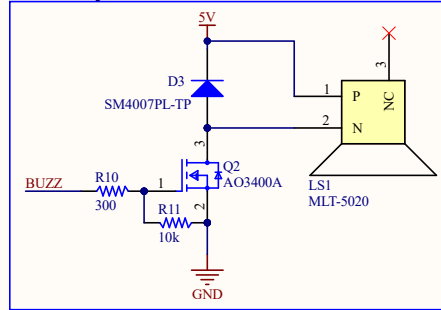
Power Filtering



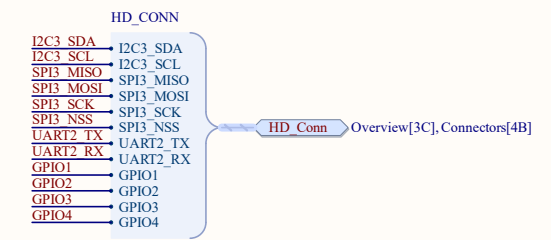
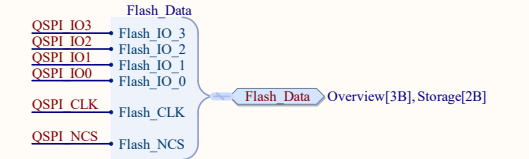
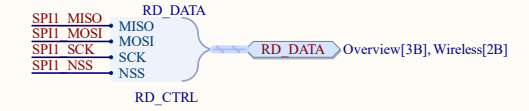
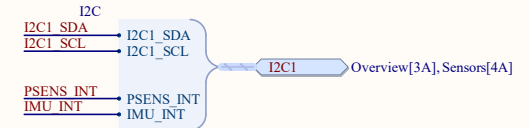
System Switches



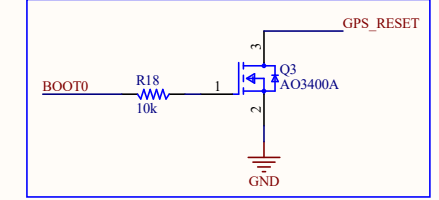
Recovery



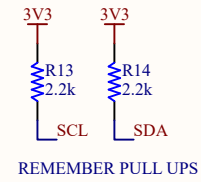
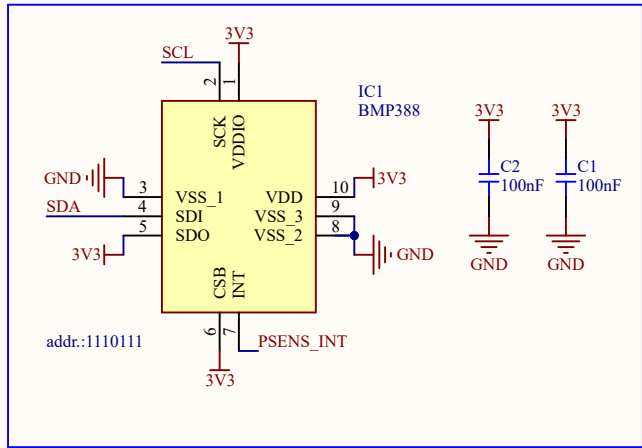
USART1 reversed here



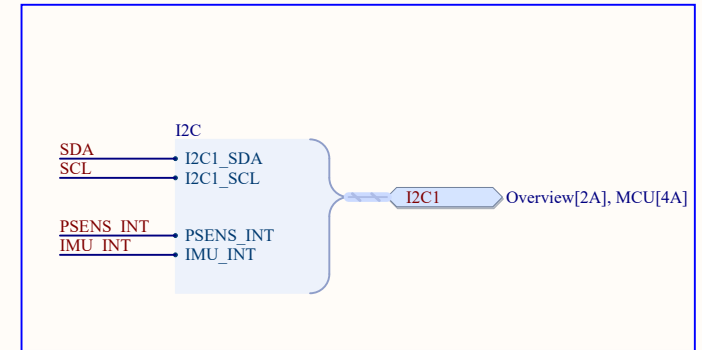
GPS Fix



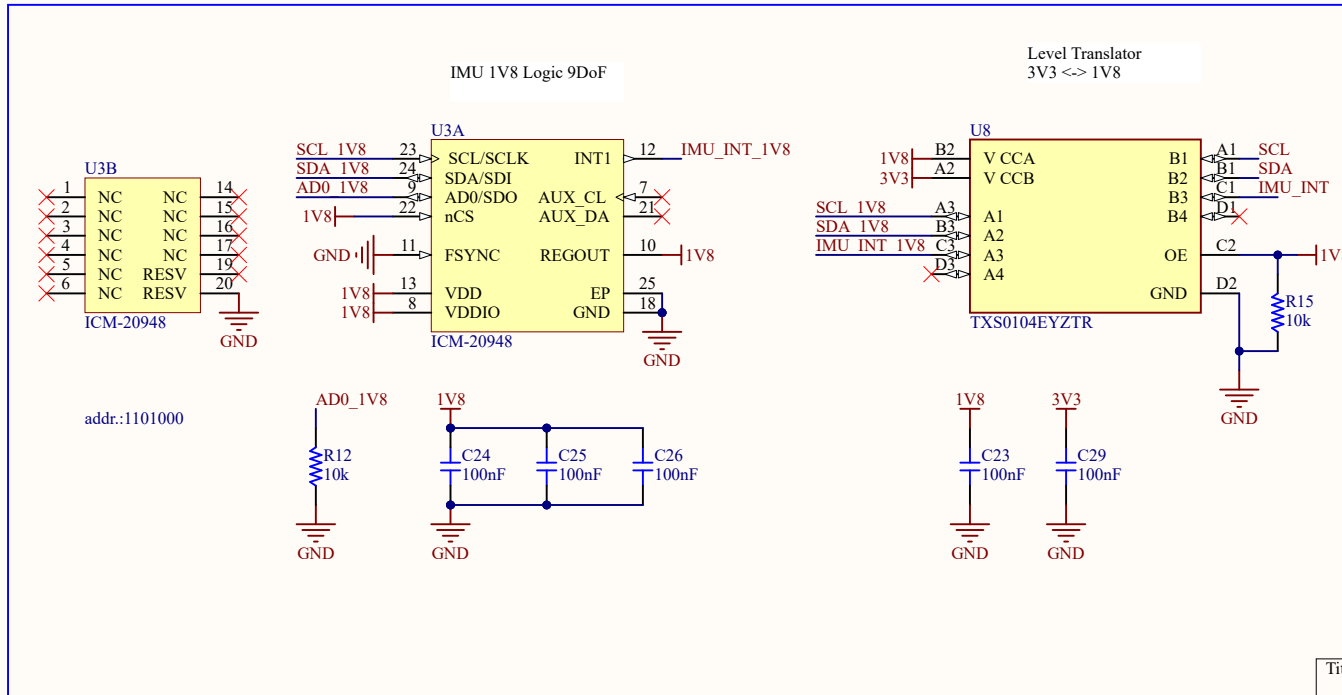
Pressure Sensor



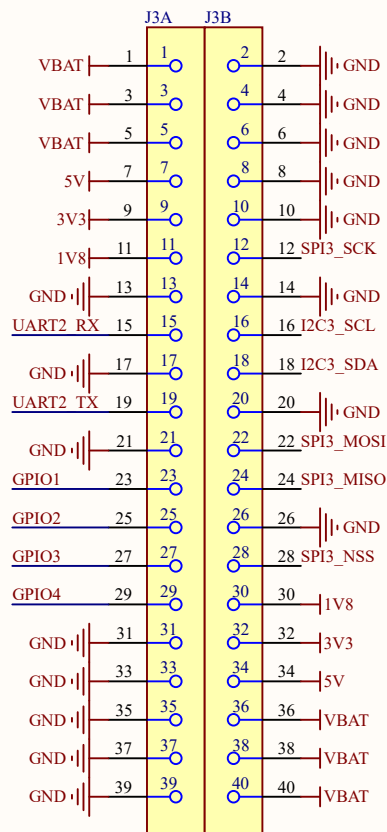
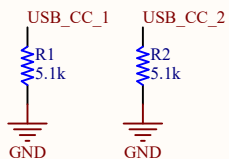
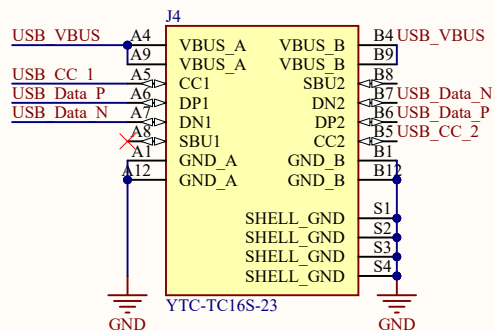
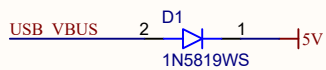
Connection to MCU



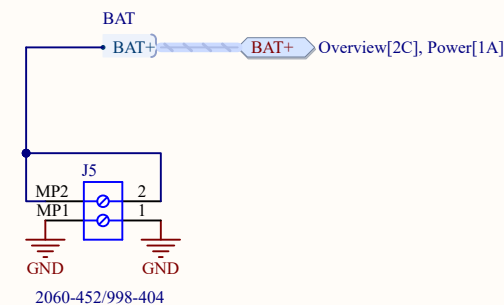
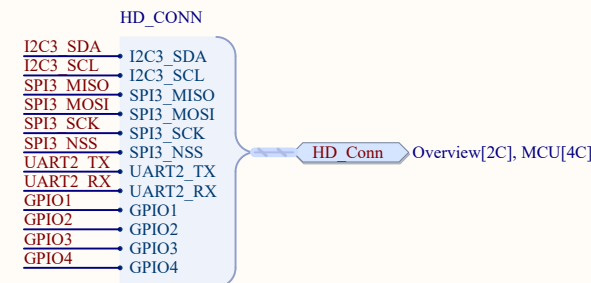
IMU



Title		
Size A4	Number	Revision
Date:	5/13/2024	Sheet of
File:	C:\Users\...\Sensors.SchDoc	Drawn By:

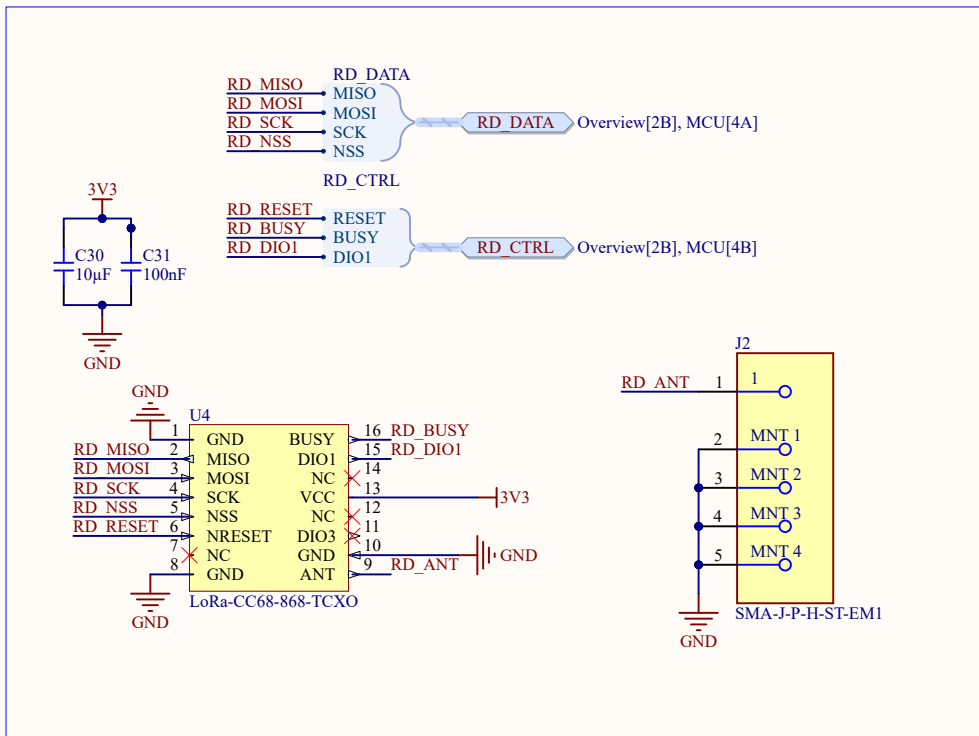


DF40HC(4.0)-40DS-0.4V(70)

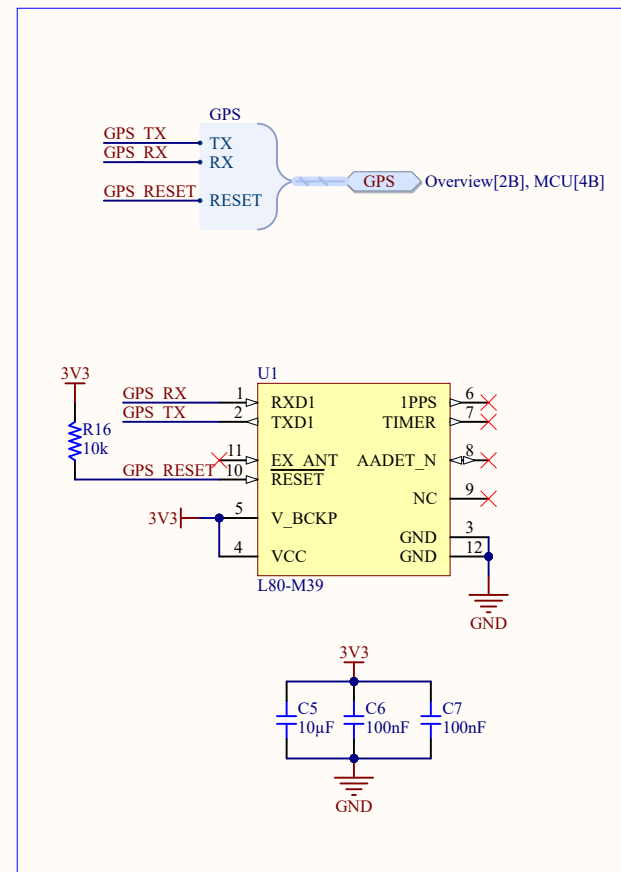


Title		
Size A4	Number	Revision
Date: 5/13/2024	Sheet of	
File: C:\Users\...\Connectors.SchDoc	Drawn By:	

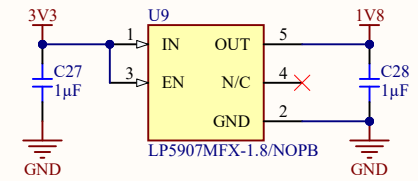
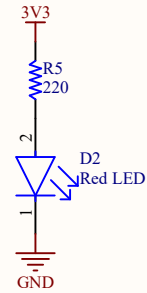
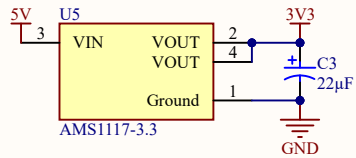
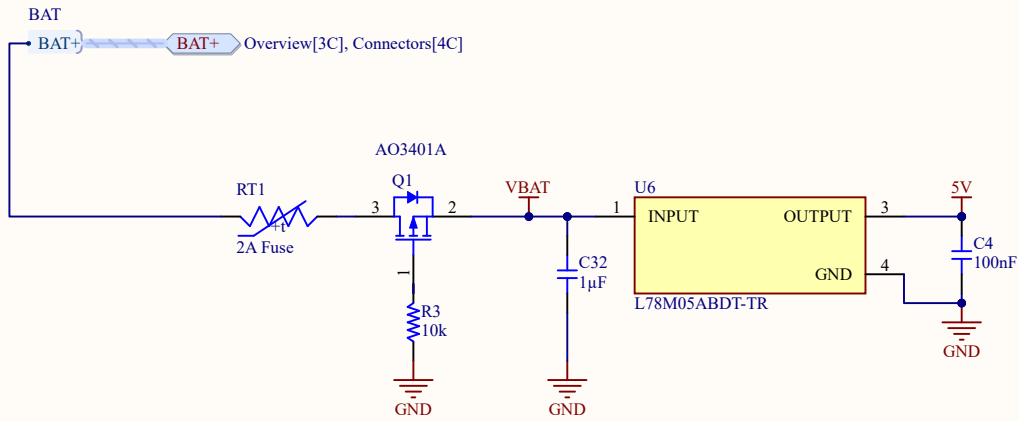
Radio

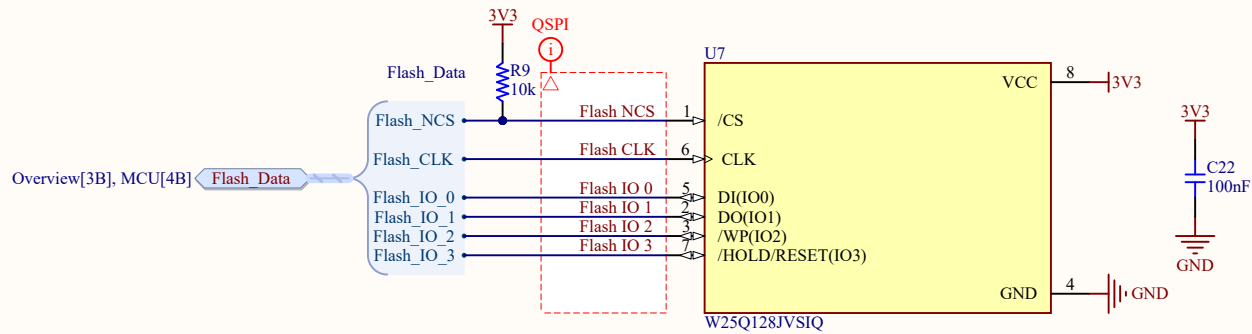


GPS



Title		
Size	Number	Revision
A4		
Date:	5/13/2024	Sheet of
File:	C:\Users\...\Wireless.SchDoc	Drawn By:





Title		
Size A4	Number	Revision
Date:	5/13/2024	Sheet of
File:	C:\Users\...\Storage.SchDoc	Drawn By: