

new terminals

= wall outlet socket

10A/250V

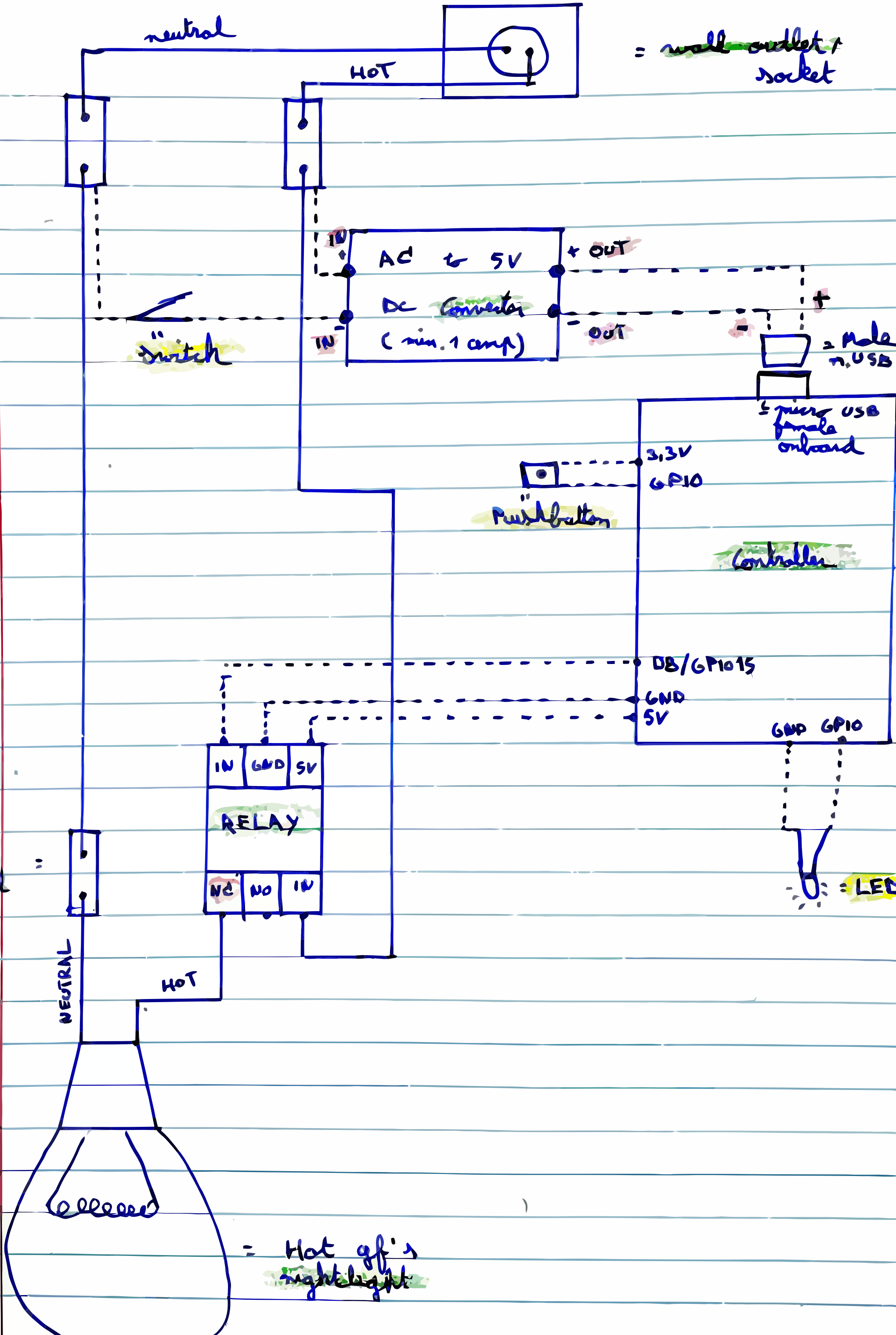
= 1A/5V

= warning

= crucial piece

= optional

new terminal



= Hot of's nightlight