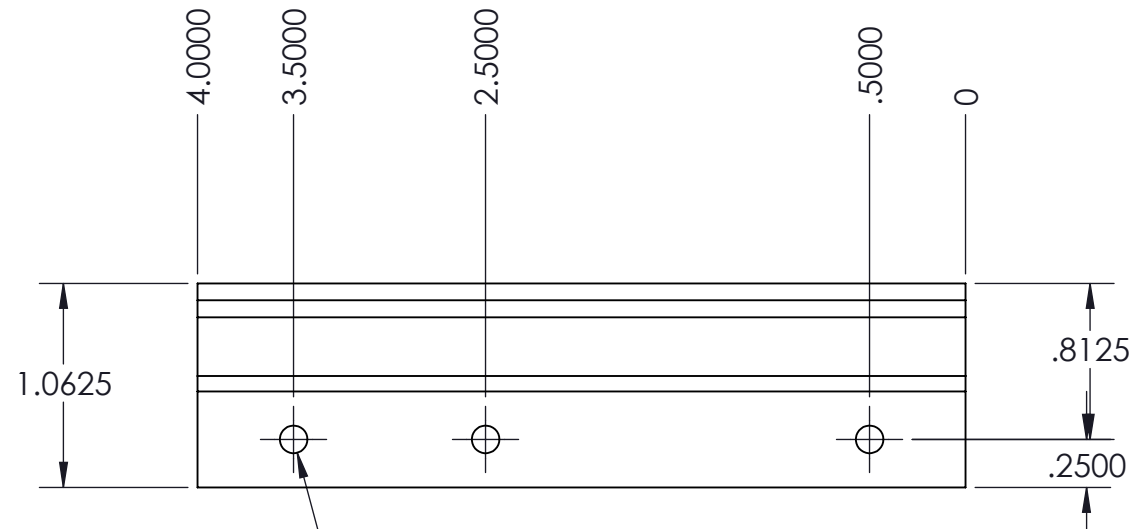
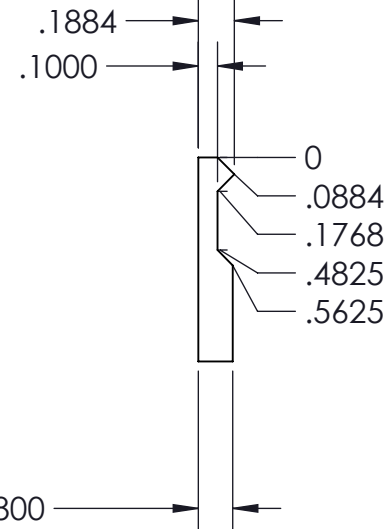
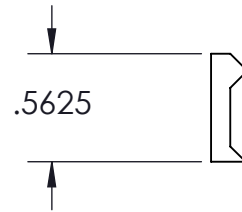
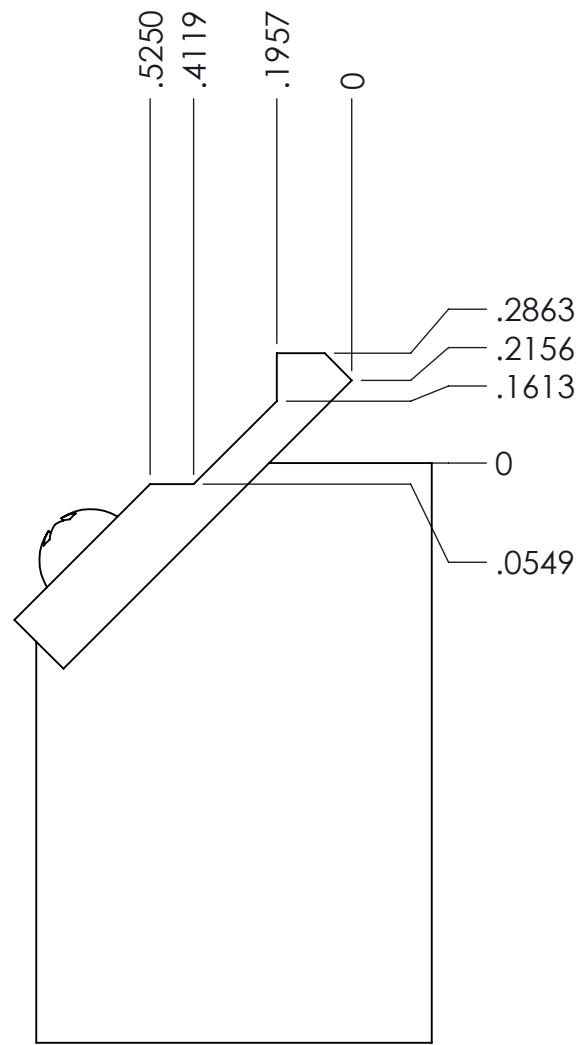


REVISIONS			
LTR.	ECO	APPROVAL	DATE
--	--	--	
--	--	--	



3X Ø .1440 THRU ALL

AEROSTAR INTERNATIONAL, INC. RESERVES ALL PROPRIETARY RIGHTS TO INFORMATION DISCLOSED HEREIN; INCLUDING RIGHTS OF PATENT, COPY-RIGHT, USE, SALE, MANUFACTURING AND/OR REPRODUCTION

UNLESS OTHERWISE SPECIFIED DIMENSIONS ARE IN INCHES ONE PLACE DECIMALS ±0.06 TWO PLACE DECIMALS ±0.03 THREE PLACE DECIMALS ±0.010 FRACTIONS ±1/4 ANGLES ±0.5° BREAK EDGES .005-.015 FABRIC DIMENSION TOLERANCES N/A	CHECKED: --	
	PROJ. ENG. --	
	PRODUCTION: --	
	CUSTOMER --	
	MATERIAL --	
	FINISH --	
NEXT ASSEMBLY		

NOTICE:
THIS DRAWING AND THE INFORMATION PROVIDED ARE PROPERTY OF RAVEN INDUSTRIES INC., AND MAY ONLY BE USED AS AUTHORIZED BY RAVEN INDUSTRIES INC.
ALL RIGHTS RESERVED UNDER THE COPYRIGHT LAWS.

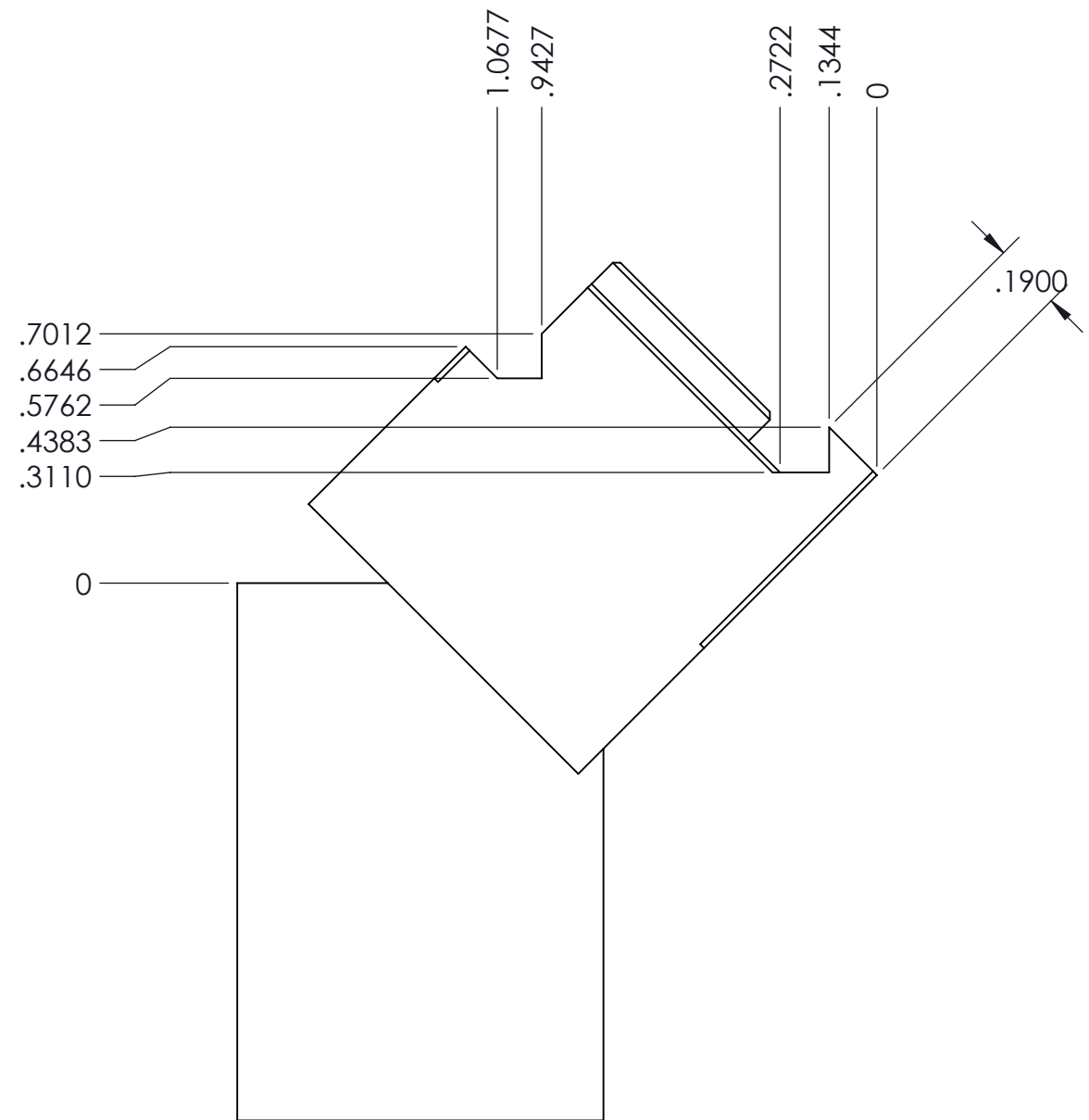
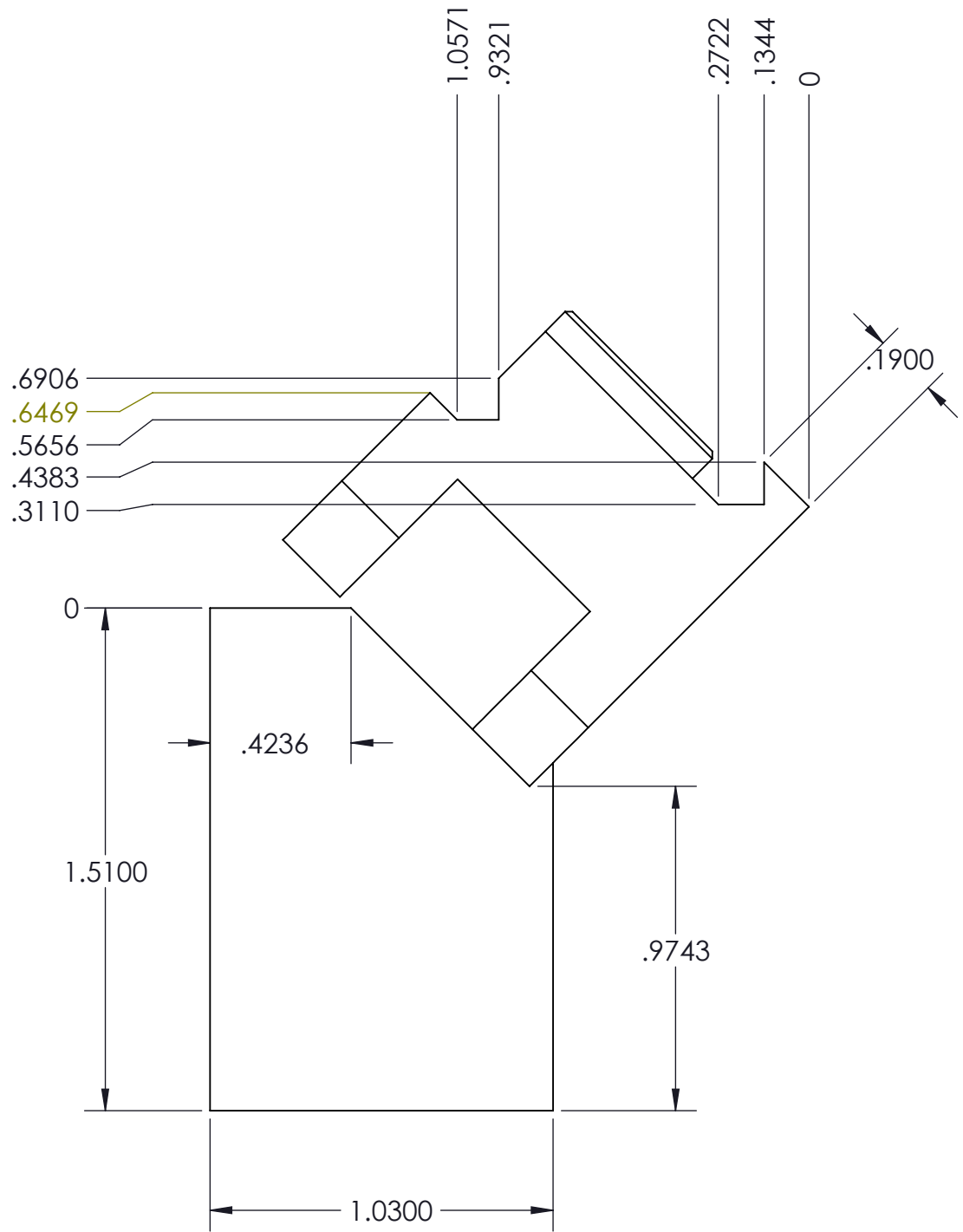
AEROSTAR
INTERNATIONAL

RAVEN

TITLE MITRE CUT PARTS AR-15 SITES			
CODE IDENT NO. 49816	SIZE B	DRAWING NUMBER --	REVISION --
SCALE 2:1		SHEET 1 OF 4	

DRAWN: -- DO NOT SCALE DRAWING

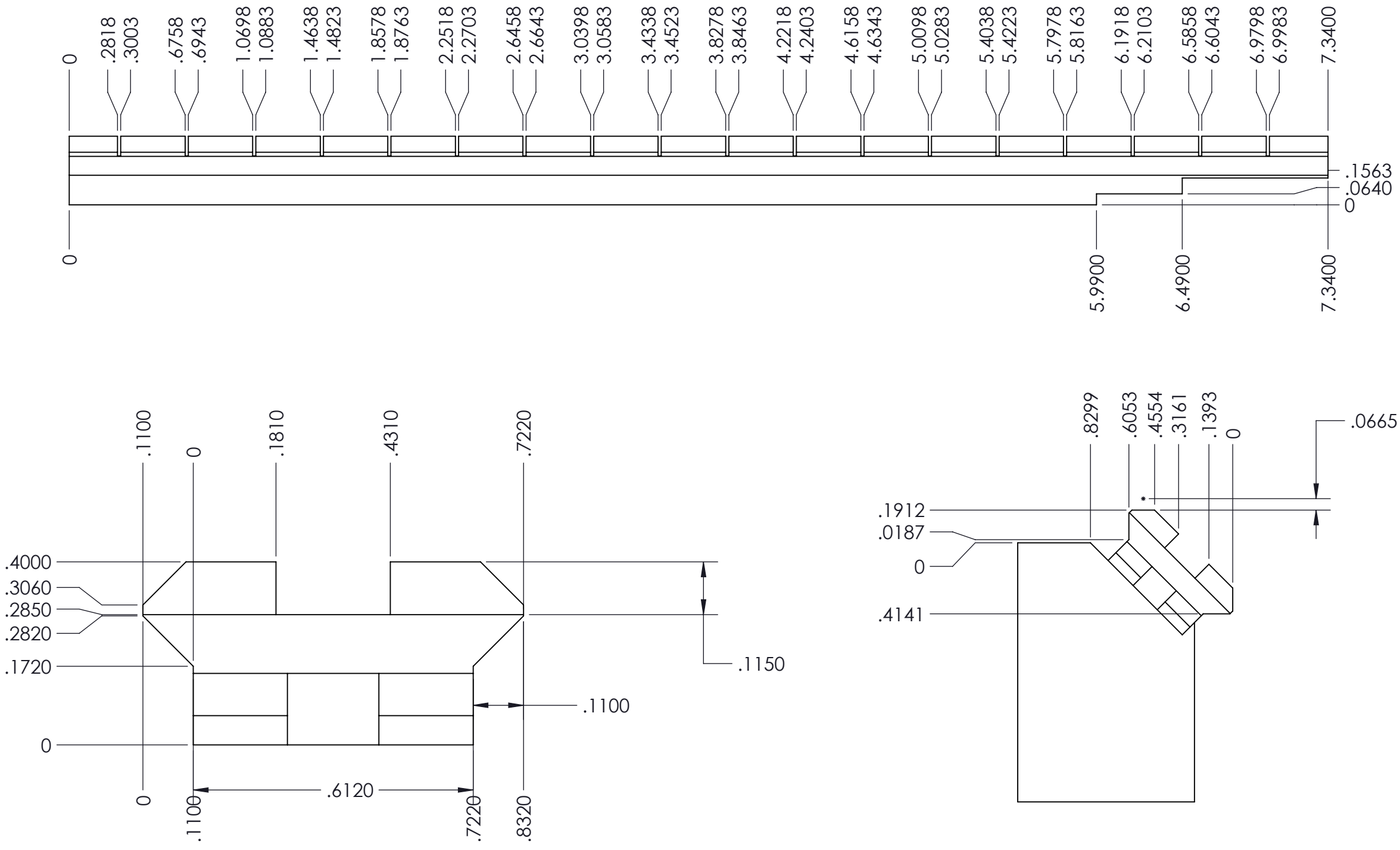
REVISIONS	
SEE SHEET 1 FOR REVISIONS	



CODE IDENT. NO. 14979	SIZE B	DRAWING NUMBER --	REVISION --
DO NOT SCALE DRAWING	SCALE 2:1	SHEET 2	

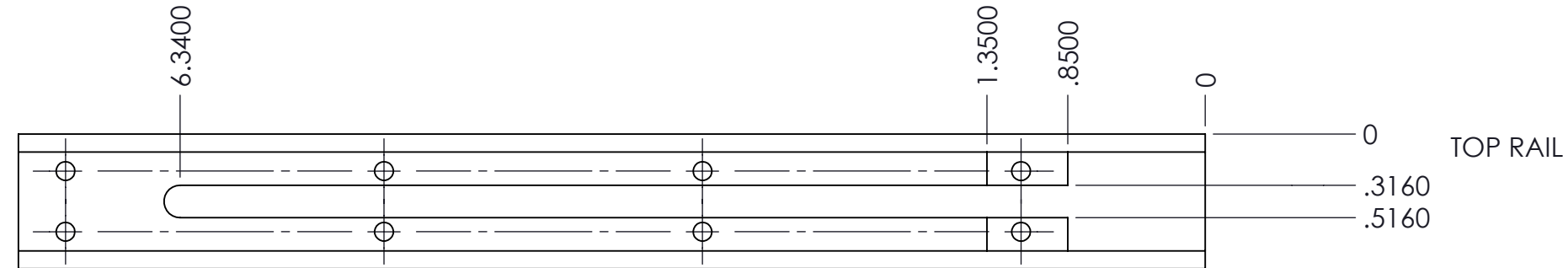
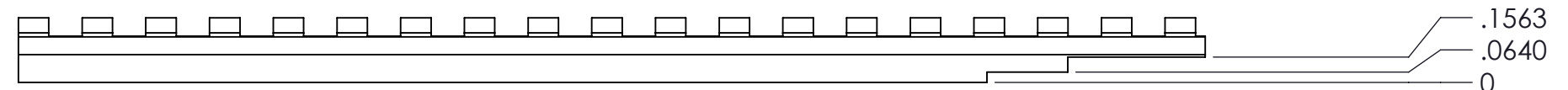
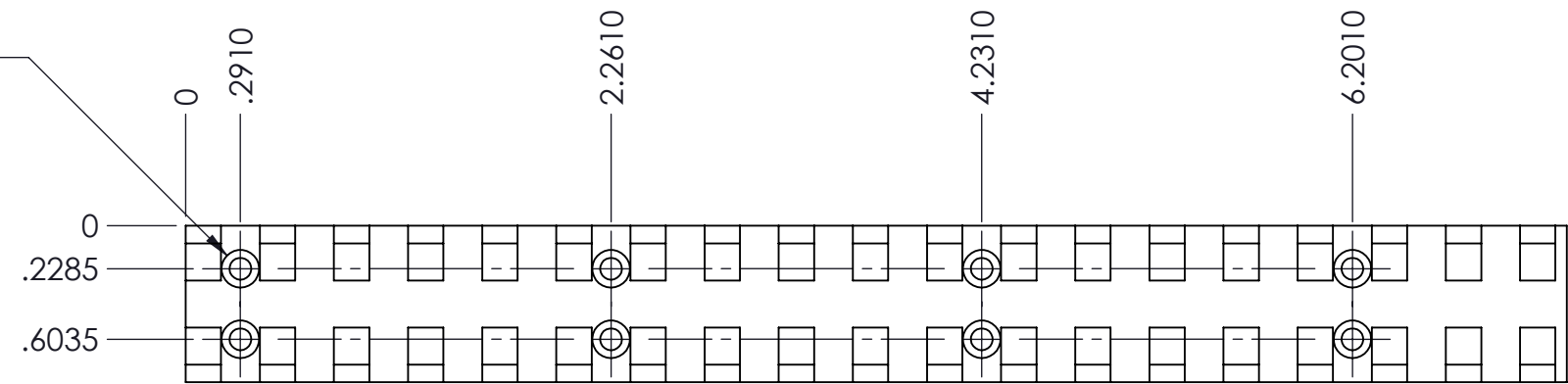
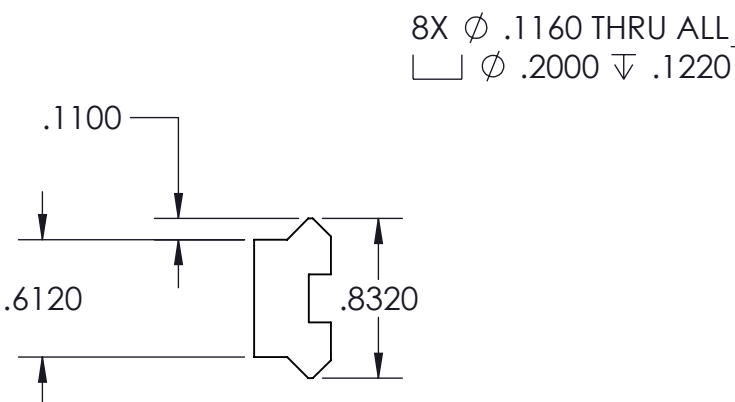
REVISIONS	
SEE SHEET 1 FOR REVISIONS	

CENTER MARK FOR 3/16" TOOL FOR CUTTING SLOTS

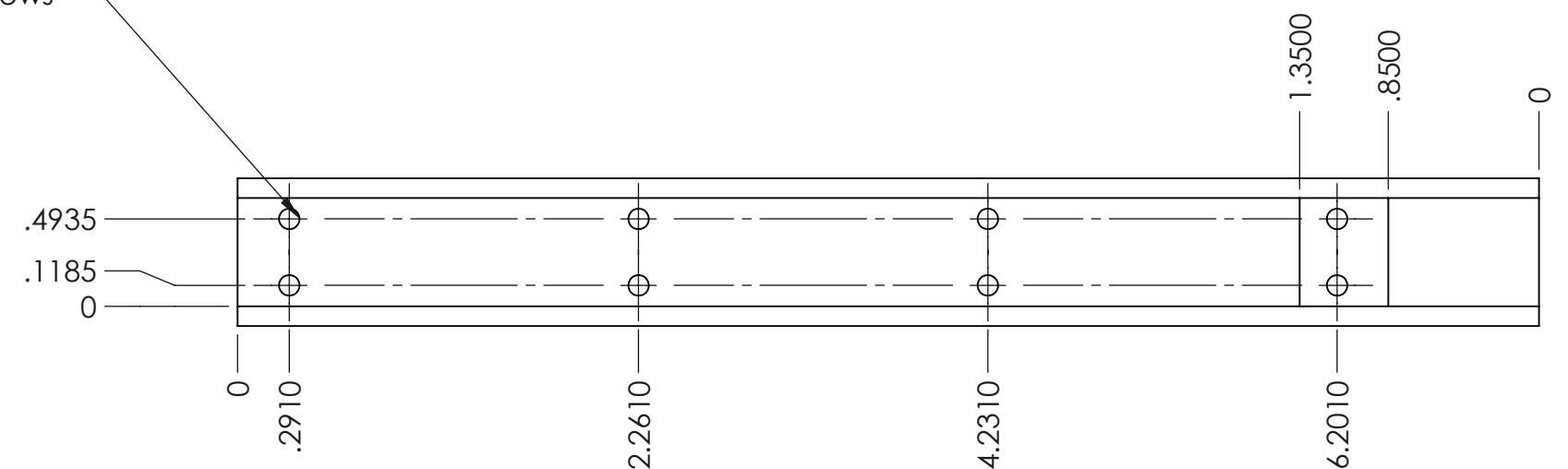


CODE IDENT. NO. 14979	SIZE B	DRAWING NUMBER --	REVISION --
DO NOT SCALE DRAWING	SCALE 3:2	SHEET 3	

REVISIONS	
SEE SHEET 1 FOR REVISIONS	



holes for 4-40 screws



CODE IDENT. NO. 14979	SIZE B	DRAWING NUMBER --	REVISION --
DO NOT SCALE DRAWING	SCALE 1:1	SHEET 4	